



Chipsmall Limited consists of a professional team with an average of over 10 year of expertise in the distribution of electronic components. Based in Hongkong, we have already established firm and mutual-benefit business relationships with customers from,Europe,America and south Asia,supplying obsolete and hard-to-find components to meet their specific needs.

With the principle of “Quality Parts,Customers Priority,Honest Operation,and Considerate Service”,our business mainly focus on the distribution of electronic components. Line cards we deal with include Microchip,ALPS,ROHM,Xilinx,Pulse,ON,Everlight and Freescale. Main products comprise IC,Modules,Potentiometer,IC Socket,Relay,Connector.Our parts cover such applications as commercial,industrial, and automotives areas.

We are looking forward to setting up business relationship with you and hope to provide you with the best service and solution. Let us make a better world for our industry!



Contact us

Tel: +86-755-8981 8866 Fax: +86-755-8427 6832

Email & Skype: info@chipsmall.com Web: www.chipsmall.com

Address: A1208, Overseas Decoration Building, #122 Zhenhua RD., Futian, Shenzhen, China



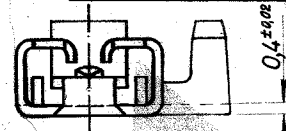
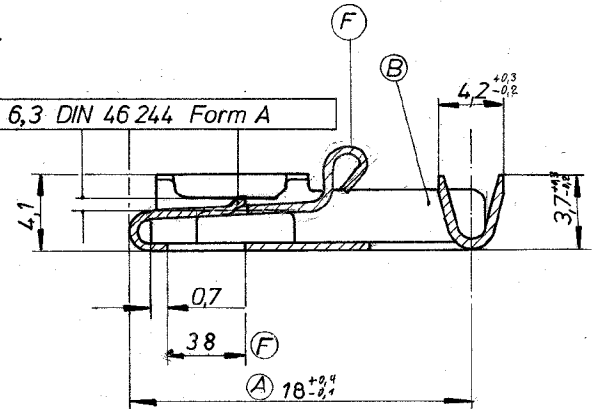
H1	NOTE 1 ADDED	20.2.78	H. G. W.	S. W. B.		
J	PLATING SPEC-CHANGED	28FEB2012	PKS	RRP		
P	F	LTR	REVISION RECORD	DATE	DR	APP

Zeichnung geschützt durch
 © Copyright 1979
 TE DEUTSCHLAND GmbH
 Alle Rechte vorbehalten

Index	Änderung	Tag	Name
A	Maß 12,4 ^{+0,3} war 11,4 ^{±0,2}	13.12.79	M. B. WILKROTH
A	Maß 18 ^{+0,4} war 18 ^{±0,2}	13.12.79	M. B. WILKROTH
B	Ansicht korrigiert	30.1.80	M. B. WILKROTH
B	Maß 3,2 ^{-0,3} war 3,2 ^{±0,2}	30.1.80	M. B. WILKROTH
C	CuSn6 3-5%Sn F56 war CuSn6 F53	17.3.80	M. B. WILKROTH
D	Maßpfel des Maßes 4,2 korrigiert	9.7.80	M. B. WILKROTH
E	Maßpfel zurückgeändert	20.3.81	M. B. WILKROTH
F	Maß 383-0,05 war 4,2; Haken	8.7.83	M. B. WILKROTH
G	- 7 hinzu	22.5.84	M. B. WILKROTH

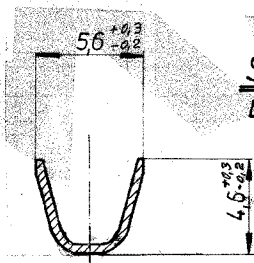
SCHNITT A-A

für Flachstecker 6,3 DIN 46 244 Form A

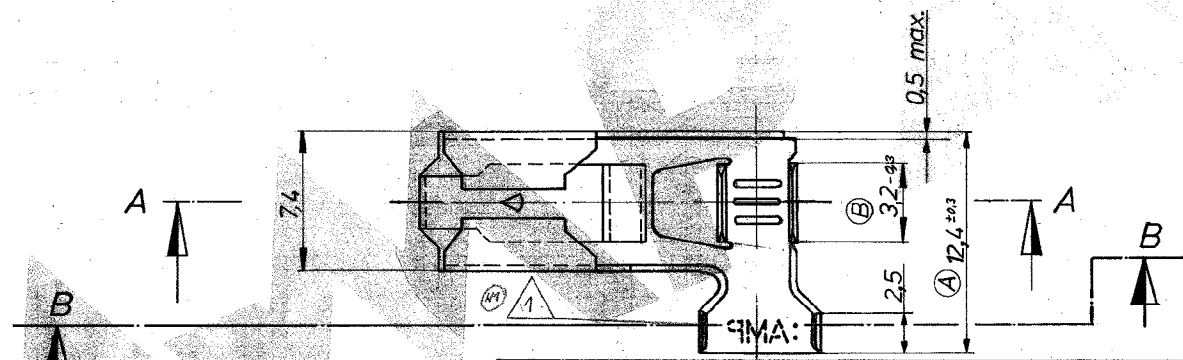


SCHNITT B-B

Drahtcrimp nicht gezeigt



NOTES:
 (1) Alternative kann das AMP-Warenzeichen um 90° gedreht eingebracht werden.
 THE ORIENTATION OF AMP-TRADE MARK CAN BE ALSO 90 DEGREES TO THAT SHOWN.



1 - 2,5 mm ²	3 - 4,3 mm	926 790 - 6	CuZn30 F53	verzinkt 1,0 µm MIN.
↑	↑	926 790 - 5	CuZn30 F53	blank
↑	↑	926 790 - 4	CuZn30 F53	verzinkt 1-3 µm
↑	↑	926 790 - 3	CuSn6 ^{3-5%} F56	verzinkt 1,0 µm MIN.
↑	↑	926 790 - 2	CuSn6 ^{3-5%} F56	blank
↑	↑	926 790 - 1	CuSn6 ^{3-5%} F56	verzinkt 1-3 µm

926-790-7	Cu Fe	vorverzinkt 1-3 µm
Bestell-Nr.	Werkstoff	Oberfläche

TE TE Connectivity

Benennung: **POSITIVE LOCK FLAG STECKHÜLSE 6,3**

K

Nicht tolerierte Maße: ± 0,2 mm
 ± 7° 30'

Format: **B**

Zeichnungs-Nr.: 926790

Rev.: **J**

Maßstab: 4:1

Blatt-Nr.: 1 von 1

Wdr 78-9719
WCS