



Chipsmall Limited consists of a professional team with an average of over 10 year of expertise in the distribution of electronic components. Based in Hongkong, we have already established firm and mutual-benefit business relationships with customers from,Europe,America and south Asia,supplying obsolete and hard-to-find components to meet their specific needs.

With the principle of “Quality Parts,Customers Priority,Honest Operation,and Considerate Service”,our business mainly focus on the distribution of electronic components. Line cards we deal with include Microchip,ALPS,ROHM,Xilinx,Pulse,ON,Everlight and Freescale. Main products comprise IC,Modules,Potentiometer,IC Socket,Relay,Connector.Our parts cover such applications as commercial,industrial, and automotives areas.

We are looking forward to setting up business relationship with you and hope to provide you with the best service and solution. Let us make a better world for our industry!



Contact us

Tel: +86-755-8981 8866 Fax: +86-755-8427 6832

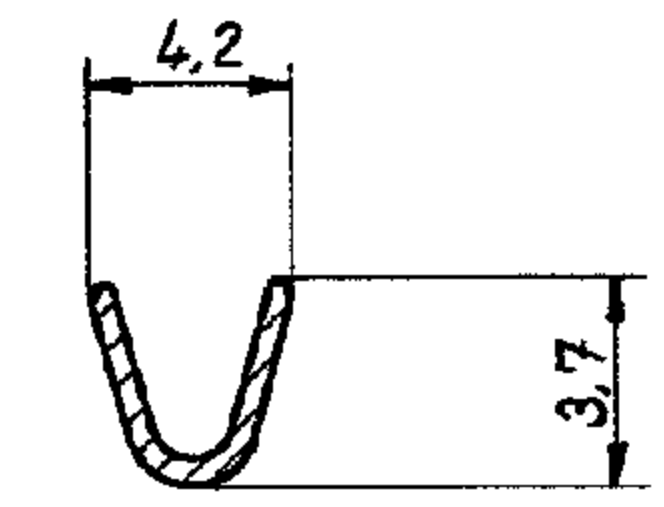
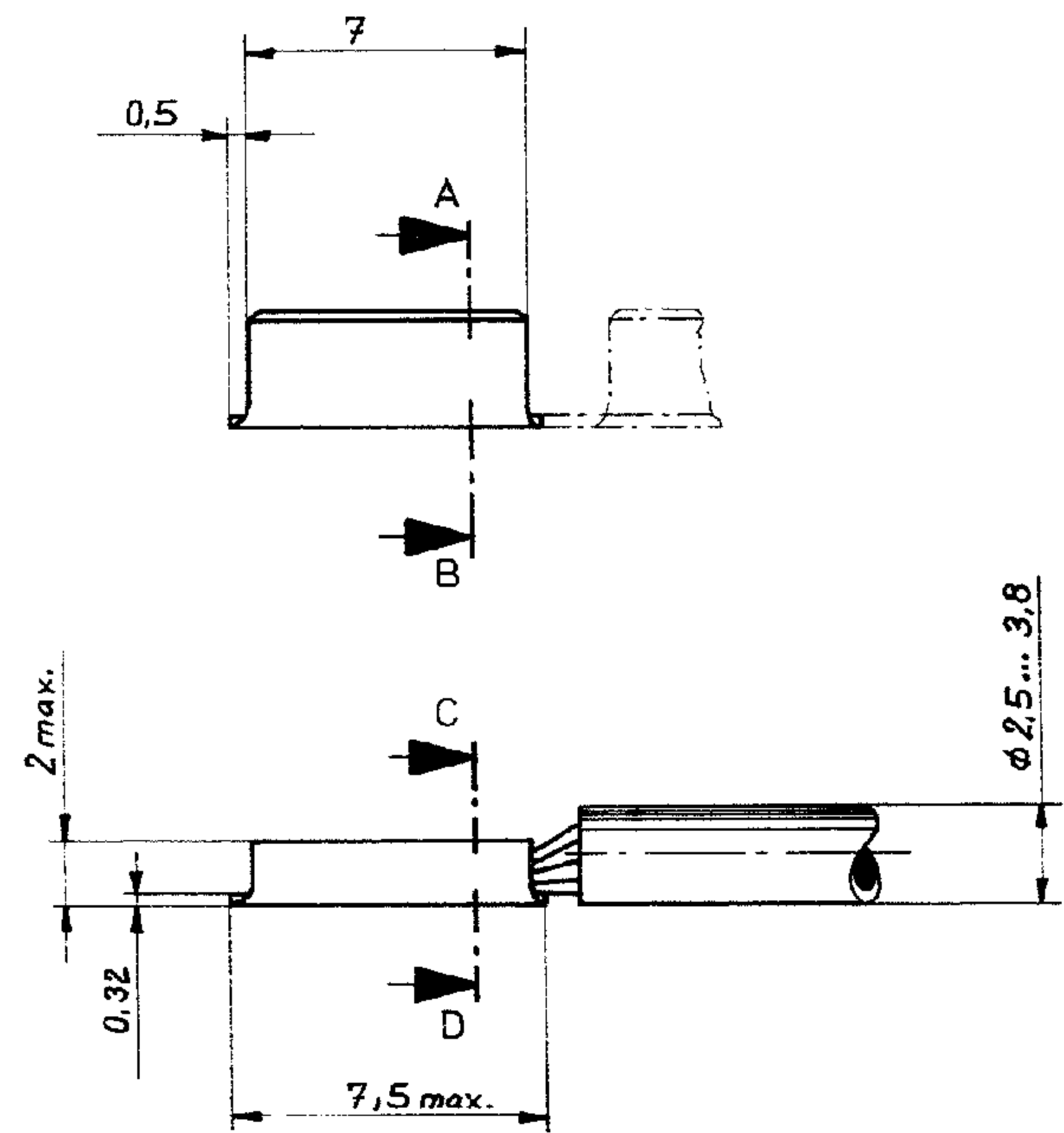
Email & Skype: info@chipsmall.com Web: www.chipsmall.com

Address: A1208, Overseas Decoration Building, #122 Zhenhua RD., Futian, Shenzhen, China

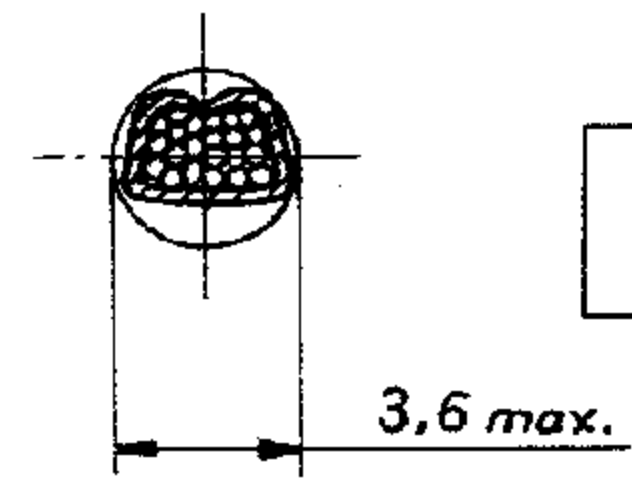


Zeichnung geschützt durch
 © Copyright 1984
 TE AMP DEUTSCHLAND GmbH
 Alle Rechte vorbehalten

Index	Anderung	Tag	Name
B	-9 hinzu	30.8.82	Mein
D	Revision column added	11.2.2009	Mah. / Kampm.
D1	ECR-10-026307	26.05.11	KK / HMR
D2	ECR-16-015681	08/11/16	LP/TD



Schnitt A-B



Schnitt C-D

ZEICHNUNG GÜLTIG AB ...

DGB: 1... 2,5 mm²

1 Streifen ohne Unterbrechung
(SPLICE-FREE-Ausführung)

2 OBSOLETE

OBSOLETE

1

D	1-926 824-0	CuZn 30 Temp.4	galv. Sn über Ni
D	926 824-9	"	gal. Sn über Ni
D	926 824-8	CuSn 4 Temp.4	vorverzinkt
D	926 824-7	"	blank
D	926 824-6	"	vorverzinkt
D	926 824-5	"	blank
D	926 824-4	CuZn 30 Temp.4	vorverzinkt
D	926 824-3	"	blank
D	926 824-2	"	vorverzinkt
D	926 824-1	"	blank
REV	Bestell-Nr Bandware	Werkstoff	Oberfläche Farbe
	Gez. 9.4.80 Gulla	Gepr.	Gepr.

TE TE Connectivity

Benennung
Aderendhülse
 (ohne Isolationsfassung)

Format **B** Zeichnungs-Nr **926 824** REV **D2**

Maßstab **5:1** Blatt Nr **1 von 1**

K