



Chipsmall Limited consists of a professional team with an average of over 10 year of expertise in the distribution of electronic components. Based in Hongkong, we have already established firm and mutual-benefit business relationships with customers from,Europe,America and south Asia,supplying obsolete and hard-to-find components to meet their specific needs.

With the principle of “Quality Parts,Customers Priority,Honest Operation,and Considerate Service”,our business mainly focus on the distribution of electronic components. Line cards we deal with include Microchip,ALPS,ROHM,Xilinx,Pulse,ON,Everlight and Freescale. Main products comprise IC,Modules,Potentiometer,IC Socket,Relay,Connector.Our parts cover such applications as commercial,industrial, and automotives areas.

We are looking forward to setting up business relationship with you and hope to provide you with the best service and solution. Let us make a better world for our industry!



Contact us

Tel: +86-755-8981 8866 Fax: +86-755-8427 6832

Email & Skype: info@chipsmall.com Web: www.chipsmall.com

Address: A1208, Overseas Decoration Building, #122 Zhenhua RD., Futian, Shenzhen, China



4

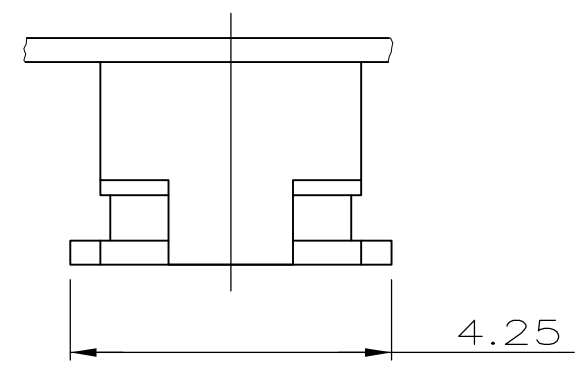
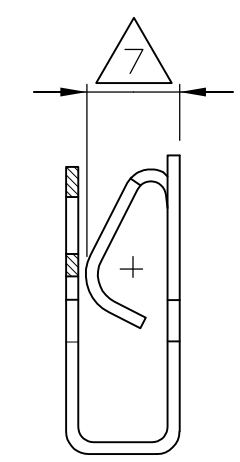
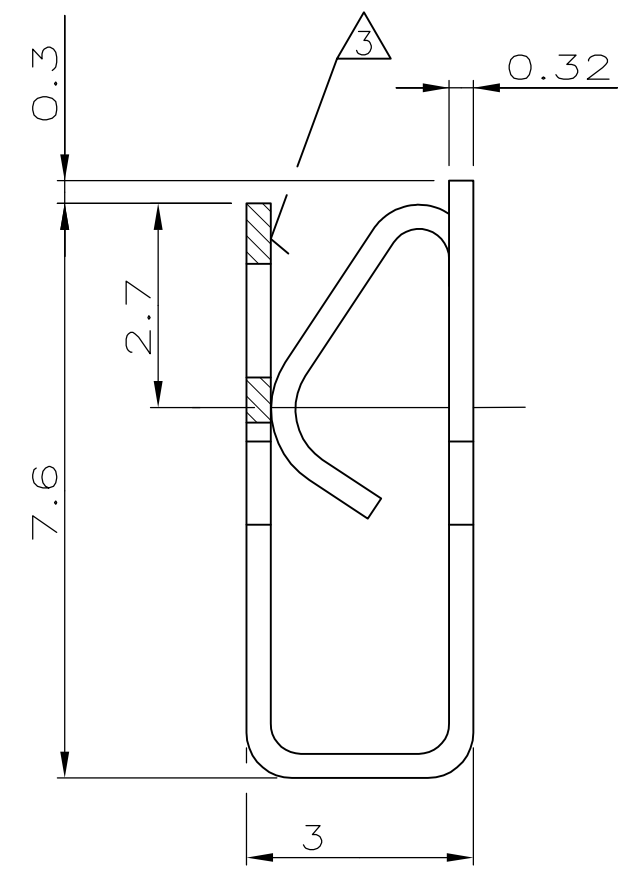
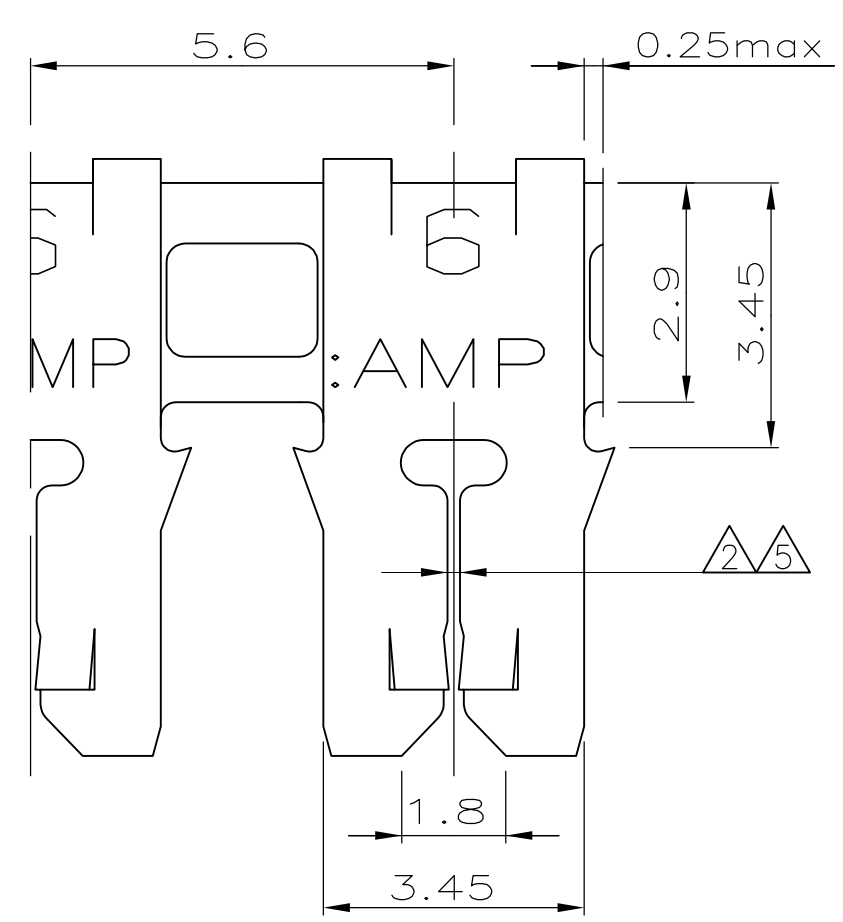
3

2

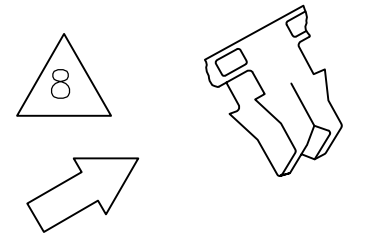
1

THIS DRAWING IS UNPUBLISHED. RELEASED FOR PUBLICATION
 © COPYRIGHT - By TE CONNECTIVITY ALL RIGHTS RESERVED.

REVISIONS				
P	LTR	DESCRIPTION	DATE	APVD
	B2	UPDATED THE CAVITY DWG NO	14OCT2016	SV



REELRICHTUNG



- 1 Siehe Zchnng.Nr.411-18512 für pass.Kammermaße
SEE DWG.NO.411-18512 FOR MATING CAVITY DIMENSIONS
- 2 Schlitz geeignet f. Kupferlackdraht 0,265-0,40mm
SLOT ACCEPTS COPPER MAGNET WIRE AWG 30-27
- 3 Kennziffer für Lackdraht-bereich (6)
IDENTIFICATION NO.FOR MAGNET WIRE RANGE (6)
- 4 Kontakt geeignet für Flachstecker 3.4 x 0.5mm
TERMINAL ACCEPTS TAB 3.4 X 0.5 MM
- 5 Geeignet für zwei Lackdrähte gleichen Durchmessers.
TWO MAGNET WIRES MAY BE TERMINATED IN SAME TERMINAL IF DIAMETERS ARE EQUAL
- 6 Für Produkt PN 926 851-4 Aufkleber PN 725 520 mit versehen Code 6
FOR PROD. PN 926 851-4 LABEL PN 725 520 WITH CODE 6
- 7 Ausführung betrifft nur -7
VERSION ONLY REF. -7
- 8 mit Vorstrichzahl (1-) entgegengesetzte Reelrichtung
WITH PREFIX (1-) REVERSE REEL DIRECTION
- 9 OBSOLETE PARTS: OBSOLETE CIS STREAMLINING PER D.RENAUD/D.SINISI

ZEICHNUNG GÜLTIG AB 22./90...

	926 851-7	CuNiSi	Gold über Nickel
	926 851-6	CuNiSi	blank
	926 851-5	CuNiSi	nachverzinnt
	926 851-4	CuNiSi	vorverzinnt
	926 851-2	CuZn30	nachverzinnt
	926 851-1	CuZn30	vorverzinnt
BESTELL-NR.	WERKSTOFF	OBERFLÄCHE FARBE	

THIS DRAWING IS A CONTROLLED DOCUMENT.		DWN	Tud	26.09.80		TE Connectivity				
		CHK	Ege	29.09.80		NAME				
		APVD	Jakobeit	23.08.83	PRODUCT SPEC					
DIMENSIONS: mm		TOLERANCES UNLESS OTHERWISE SPECIFIED:			MAG-MATE LEAF TERMINAL					
		0 PLC	± -		108-2012					
		1 PLC	± -		APPLICATION SPEC					
		2 PLC	± 0.2mm		114-2046					
		3 PLC	± -		SIZE					
		4 PLC	± -		CAGE CODE					
		ANGLES	± 1°		DRAWING NO					
MATERIAL		FINISH			RESTRICTED TO					
CuNiSi		-			A3 00779 C-926851					
CUSTOMER DRAWING					SCALE	10:1	SHEET	1 of 1	REV	B2