



Chipsmall Limited consists of a professional team with an average of over 10 year of expertise in the distribution of electronic components. Based in Hongkong, we have already established firm and mutual-benefit business relationships with customers from,Europe,America and south Asia,supplying obsolete and hard-to-find components to meet their specific needs.

With the principle of “Quality Parts,Customers Priority,Honest Operation,and Considerate Service”,our business mainly focus on the distribution of electronic components. Line cards we deal with include Microchip,ALPS,ROHM,Xilinx,Pulse,ON,Everlight and Freescale. Main products comprise IC,Modules,Potentiometer,IC Socket,Relay,Connector.Our parts cover such applications as commercial,industrial, and automotives areas.

We are looking forward to setting up business relationship with you and hope to provide you with the best service and solution. Let us make a better world for our industry!



## Contact us

Tel: +86-755-8981 8866 Fax: +86-755-8427 6832

Email & Skype: info@chipsmall.com Web: www.chipsmall.com

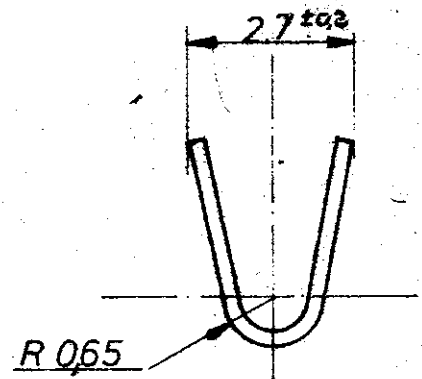
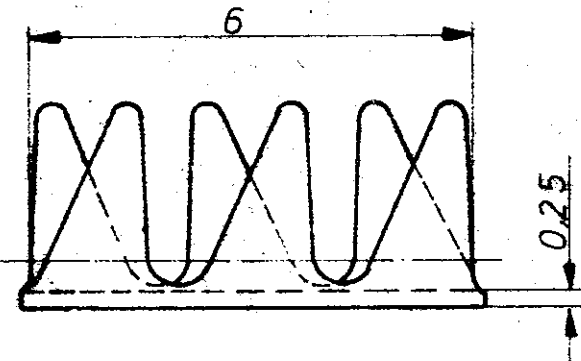
Address: A1208, Overseas Decoration Building, #122 Zhenhua RD., Futian, Shenzhen, China



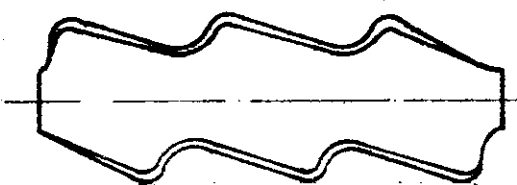


**OBSOLETE PARTS: OBSOLETE CIS STREAMLINING PER D.RENAUD/D.SINJSI**

NUMBER  
926 933

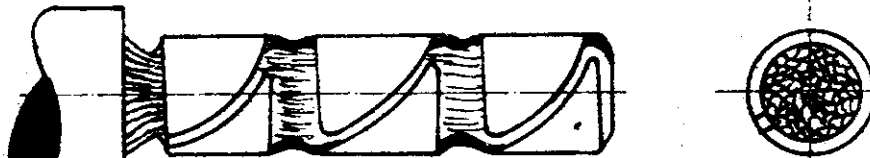


ZEICHNUNG GÜLTIG AB KW41/83



Freimaßtoleranz ± 0,4

**MANGESCHLAGENEM ZUSTAND  
PASSEND IN BOHRUNG  $\phi 1,5$  mm bei  $0,75$  mm<sup>2</sup>**



BAND STANDARD NUMBER	Teile pro Nickeninnert	DRAHT GROSSENBEREICH	MATERIAL	OBERFLÄCHE
926 933 - 9	60 000	0,75 - 1 mm <sup>2</sup>	Cu Ni 12 Zn 24 Temp. 1/2 Hard	blank
926 933 - 8	30 000	0,75 - 1 mm <sup>2</sup>	Cu Sn 4 F56 (Temp. 1/2)	blank
926 933 - 7	30 000	0,75 - 1 mm <sup>2</sup>	Cu Sn 4 F56	vorverzinkt
926 933 - 6	60 000	0,75 - 1 mm <sup>2</sup>	Cu Sn 4 F56	blank
<del>926 933 - 5</del> $\Delta$	<del>60 000</del>	<del>0,75 - 1 mm<sup>2</sup></del>	<del>Cu Sn 4 F56</del>	<del>vorverzinkt</del>
926 933 - 4	30 000	0,75 - 1 mm <sup>2</sup>	Messing	blank
926 933 - 3	30 000	0,75 - 1 mm <sup>2</sup>	Messing	vorverzinkt
926 933 - 2	60 000	0,75 - 1 mm <sup>2</sup>	Messing	blank
926 933 - 1	60 000	0,75 - 1 mm <sup>2</sup>	Messing	vorverzinkt

MATERIAL HEAT TREAT COATINGS OR PLATING

**CUSTOMER COPY REFERENCE ONLY**

FIRST USED	WIRE RANGE	CLASS	TYPE
P.P.P.	AREA	SCALE 10:1	
DR 9.6.81 <i>Grella</i>			



LOC A. 4 - 50. 933 REV B2

B2	REVISED PER ECO-11-005140	RK HMR 3MAY11	APP
LTR	REVISION RECORD	ECN DR CHN	REL

ADER-END-KRALLE

PRINT PART