



Chipsmall Limited consists of a professional team with an average of over 10 year of expertise in the distribution of electronic components. Based in Hongkong, we have already established firm and mutual-benefit business relationships with customers from,Europe,America and south Asia,supplying obsolete and hard-to-find components to meet their specific needs.

With the principle of “Quality Parts,Customers Priority,Honest Operation,and Considerate Service”,our business mainly focus on the distribution of electronic components. Line cards we deal with include Microchip,ALPS,ROHM,Xilinx,Pulse,ON,Everlight and Freescale. Main products comprise IC,Modules,Potentiometer,IC Socket,Relay,Connector.Our parts cover such applications as commercial,industrial, and automotives areas.

We are looking forward to setting up business relationship with you and hope to provide you with the best service and solution. Let us make a better world for our industry!



## Contact us

Tel: +86-755-8981 8866 Fax: +86-755-8427 6832

Email & Skype: info@chipsmall.com Web: www.chipsmall.com

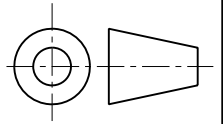
Address: A1208, Overseas Decoration Building, #122 Zhenhua RD., Futian, Shenzhen, China



CAD-Original  
nicht ändern

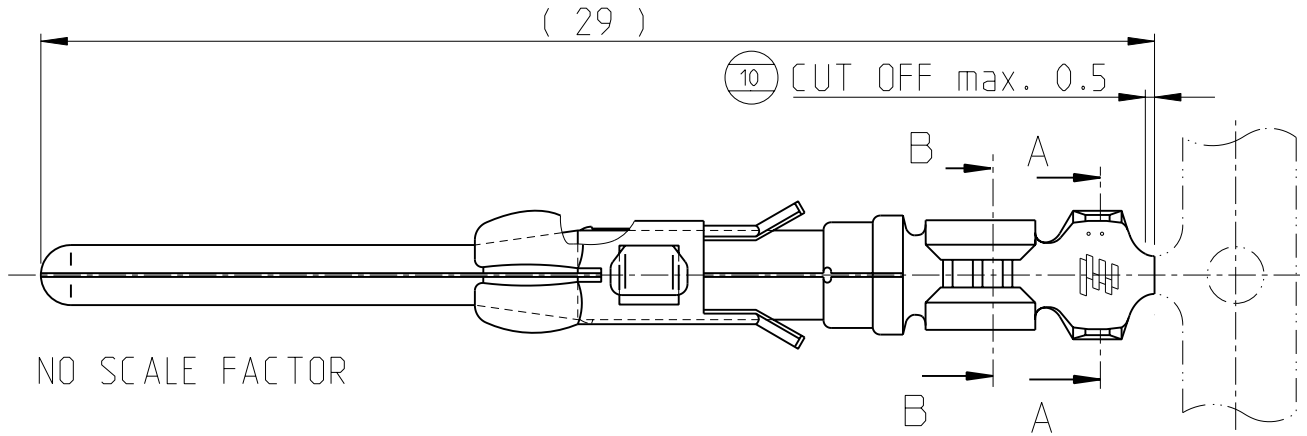
DRAWING VALID FROM:  
Zeichnung gültig ab: -- --

METRIC



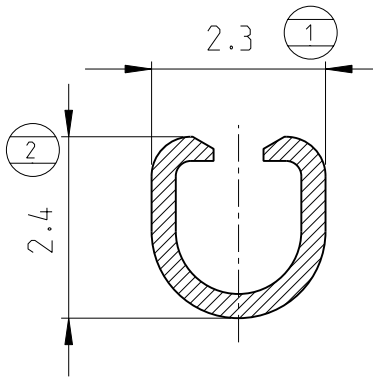
EUROPEAN PROJECTION

USE HANDTOOL: CRIMPAC TOOL II PN 0-825582-0

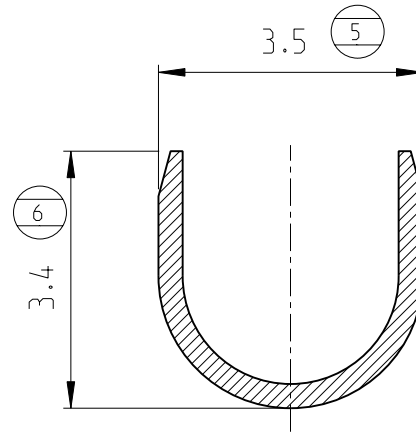


NO SCALE FACTOR

WIRE BARREL  
B-B



INSULATION BARREL  
A-A



CRIMP PRE-FORMED



DIMENSIONS FOR STRIP-FORM SEE DRAWING NO. C-926980

0-926980-2		PRE TINNED		CuZn 30		0-926981-2		D	
0-926980-1		PRE TINNED		CuSn 4		0-926981-1		D	
MADE FROM		FINISH		MATERIAL		LP NO		REV	
LOC				WIRE RANGE		TOLERANCES		Tyco Electronics Czech s.r.o. CZ- K AMP 1293, 664 34 Kurim	
GT				0.5-1.0 mm <sup>2</sup>		±0.2			
DIST						NAME			
-						CI 2 PIN (LOOSE PIECE)			
D2		SEE ECN		SEE ECR-10-017608		DR			
LTR		REVISION RECORD		ECN		CHK		DATE	
DR		30JAN2010		APPD		12.10.10			
M. Pavlicek				T. Konecny					
CHK		5FEB2010		REL					
P. Straka									
				INSULATION RANGE		SCALE		LOC	
				D2		10:1		GT	
				Ø2.0-2.7 mm				A4	
								NUMBER	
								926981	
								REV	
								D2	

THIS INFORMATION IS CONFIDENTIAL AND IS DISCLOSED TO YOU ON CONDITION THAT NO FURTHER DISCLOSURE IS MADE BY YOU TO OTHER THAN AMP PERSONNEL WITHOUT WRITTEN AUTHORIZATION FROM AMP DEUTSCHLAND GMBH, LANGEN B.F.F.H.