



Chipsmall Limited consists of a professional team with an average of over 10 year of expertise in the distribution of electronic components. Based in Hongkong, we have already established firm and mutual-benefit business relationships with customers from,Europe,America and south Asia,supplying obsolete and hard-to-find components to meet their specific needs.

With the principle of “Quality Parts,Customers Priority,Honest Operation,and Considerate Service”,our business mainly focus on the distribution of electronic components. Line cards we deal with include Microchip,ALPS,ROHM,Xilinx,Pulse,ON,Everlight and Freescale. Main products comprise IC,Modules,Potentiometer,IC Socket,Relay,Connector.Our parts cover such applications as commercial,industrial, and automotives areas.

We are looking forward to setting up business relationship with you and hope to provide you with the best service and solution. Let us make a better world for our industry!



Contact us

Tel: +86-755-8981 8866 Fax: +86-755-8427 6832

Email & Skype: info@chipsmall.com Web: www.chipsmall.com

Address: A1208, Overseas Decoration Building, #122 Zhenhua RD., Futian, Shenzhen, China



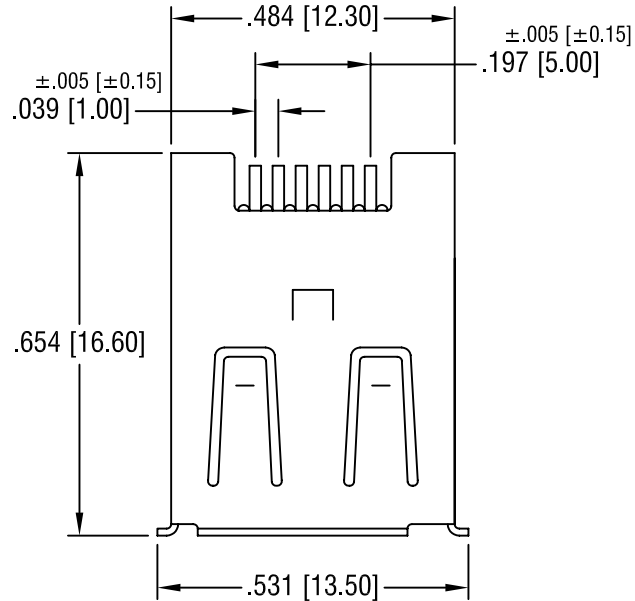
DATE	DESCRIPTION	REV.
7.26.99	CHANGE AS PER ECN 99-053	A
6.7.05	CHANGE AS PER ECN 05-030	B

Notes:

Shell: Mat'l: Phosphor Bronze,
Finish: Tin Plate over
Nickel Plate.

Insulator: Mat'l: Thermoplastic
UL 94V-0

Contacts: Mat'l: Phosphor Bronze
Finish: Gold Plate over
Nickel Plate on
Contact Area.
Tin Plate over
Nickel Plate
on Solder Tail.



Electrical Specifications

Rated Voltage:
30V AC (rms)

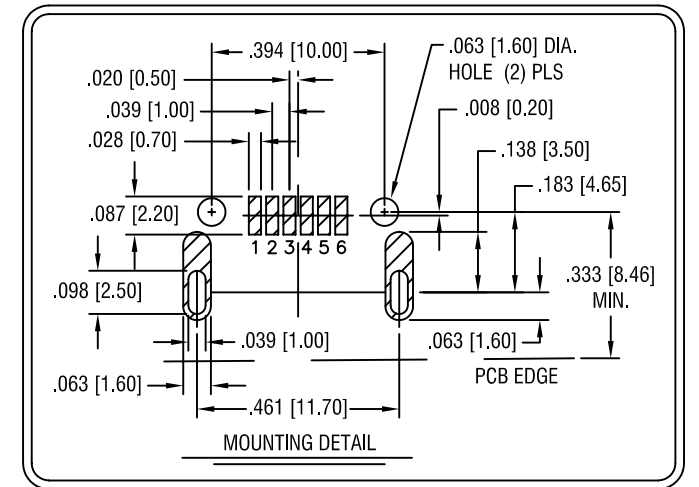
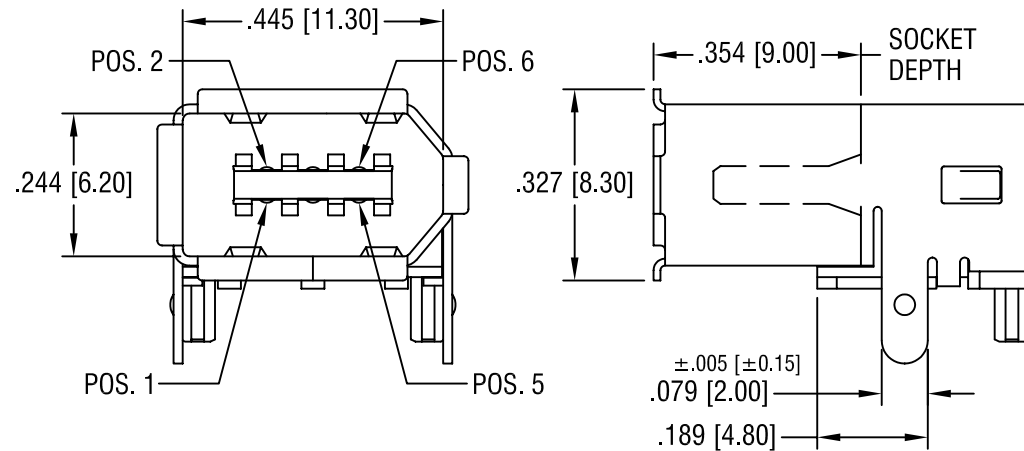
Contact Current Rating:
1A Max.

Contact Resistance:
30 milliohms Max.

Insulation Resistance:
1000 Megohms Min.

Dielectric Withstanding:
750V AC

Operating Temperature:
32° [0°C] to 104° [40°C]



KEYSTONE ELECTRONICS CORP.

ASTORIA, N.Y. 11105-2017

PART NAME
IEEE 1394 'FIREWIRE' SM HORIZONTAL SOCKET

MATERIAL
AS NOTED

FINISH AS NOTED	DRN BY BOONE	DATE 5.22.98
	APPD LN	SCALE 3X

TOLERANCES INCH [MM]	CODE	DWG NO.
DECIMAL $\pm .010$ [± 0.25]	C/M	927
ANGULAR $\pm 1^\circ$		
UNLESS OTHERWISE SPECIFIED		

THIS DOCUMENT IS THE PROPERTY OF
KEYSTONE ELECTRONICS CORP. AND
SHALL NOT BE REPRODUCED, DISTRIBUTED
OR USED AS A BASIS FOR MANUFACTURE
WITHOUT PRIOR WRITTEN PERMISSION
FROM KEYSTONE ELECTRONICS CORP.