



Chipsmall Limited consists of a professional team with an average of over 10 year of expertise in the distribution of electronic components. Based in Hongkong, we have already established firm and mutual-benefit business relationships with customers from,Europe,America and south Asia,supplying obsolete and hard-to-find components to meet their specific needs.

With the principle of “Quality Parts,Customers Priority,Honest Operation,and Considerate Service”,our business mainly focus on the distribution of electronic components. Line cards we deal with include Microchip,ALPS,ROHM,Xilinx,Pulse,ON,Everlight and Freescale. Main products comprise IC,Modules,Potentiometer,IC Socket,Relay,Connector.Our parts cover such applications as commercial,industrial, and automotives areas.

We are looking forward to setting up business relationship with you and hope to provide you with the best service and solution. Let us make a better world for our industry!



Contact us

Tel: +86-755-8981 8866 Fax: +86-755-8427 6832

Email & Skype: info@chipsmall.com Web: www.chipsmall.com

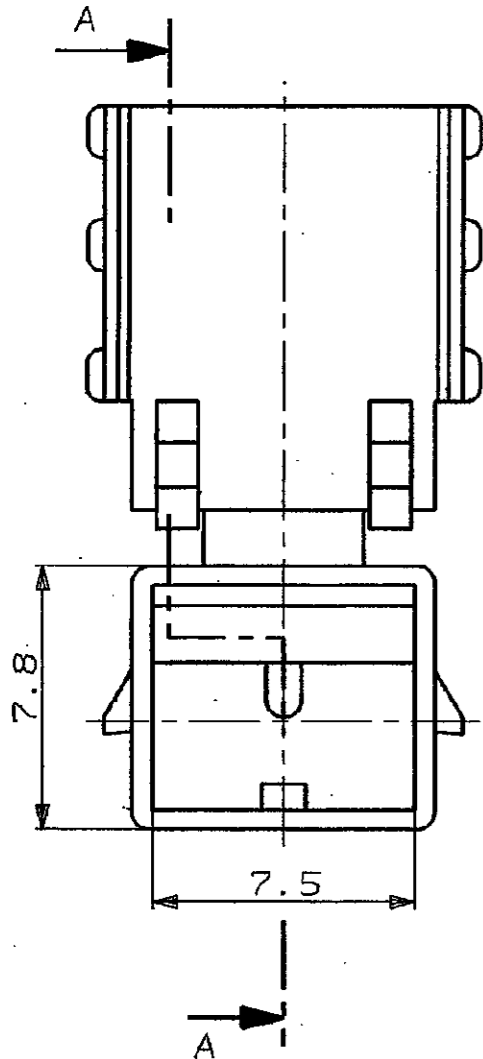
Address: A1208, Overseas Decoration Building, #122 Zhenhua RD., Futian, Shenzhen, China



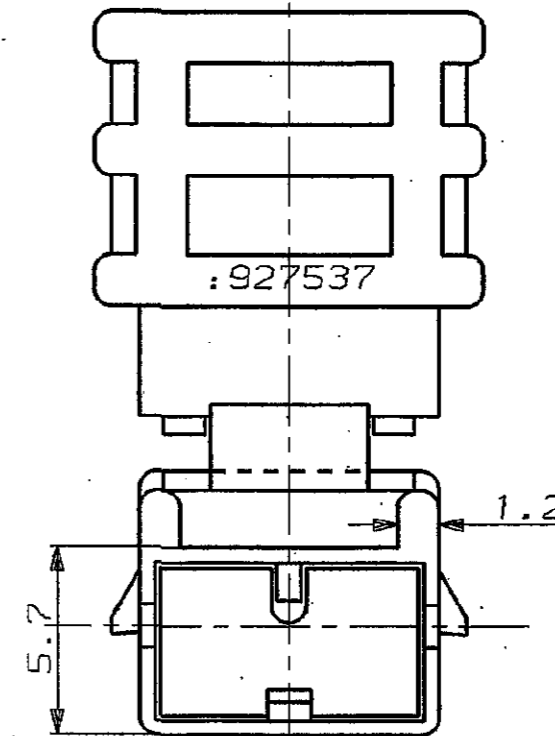
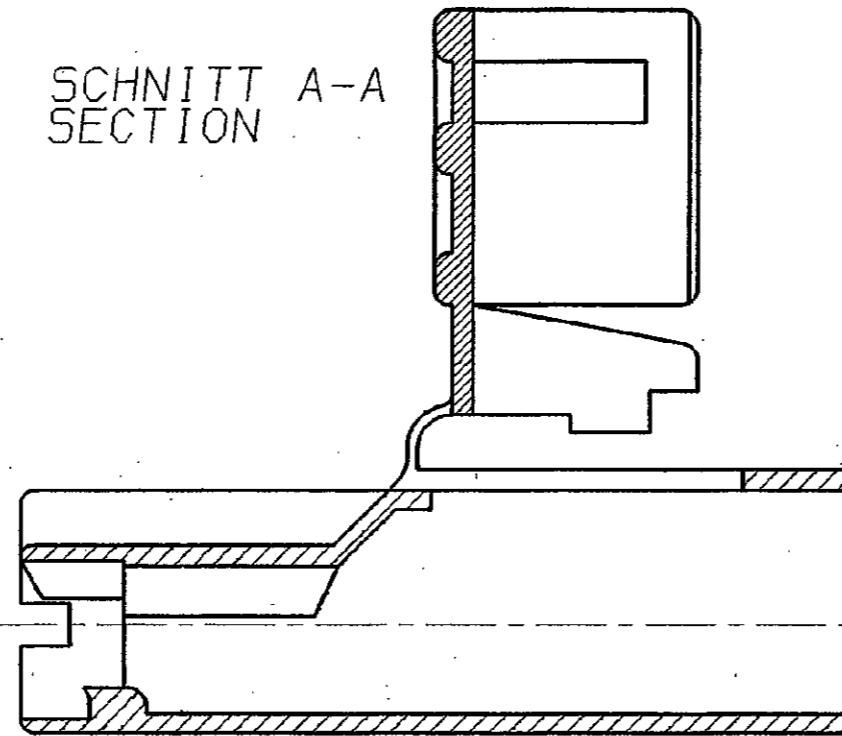
CAD-Original
Zeichnung nicht ändern

Zeichnung geschützt durch
© Copyright 1984
AMP DEUTSCHLAND GmbH
Alle Rechte vorbehalten

Index	Änderung	Tag	Name
1	Klappe geändert	26.4.85	KÜMPEL
2	-2 hinzu	16.10.89	U.MISCHLICH
3	REV PER ECO-10-000445	11JAN10	KK/AEG



SCHNITT A-A
SECTION



1 OBSOLETE PARTS: OBSOLETE CIS STREAMLINING PER D.RENAUD/D.SINISI

WAR 84-9424

Maßstab 1:1
SCALE 1:1



1 OBSOLETE

		AMP		AMP DEUTSCHLAND G.m.b.H. Langen b.Ffm., West Germany	
		Benennung		K	
		1pol. Pos. Lock Gehäuse			
Bestell-Nr.	Werkstoff	Oberfläche	Nicht tolerierte Maße	Format	Zeichnungs-Nr.
927 537-2	PA6.6	natur	± 0.2 mm	B	927 537
927 537-1	PA6.6	schwarz	± 1.5 °		
Gez. KÜMPEL 18.12.84	Gepr. -	Gepr. -	Maßstab	5:1	Blatt-Nr. -