



Chipsmall Limited consists of a professional team with an average of over 10 year of expertise in the distribution of electronic components. Based in Hongkong, we have already established firm and mutual-benefit business relationships with customers from,Europe,America and south Asia,supplying obsolete and hard-to-find components to meet their specific needs.

With the principle of “Quality Parts,Customers Priority,Honest Operation,and Considerate Service”,our business mainly focus on the distribution of electronic components. Line cards we deal with include Microchip,ALPS,ROHM,Xilinx,Pulse,ON,Everlight and Freescale. Main products comprise IC,Modules,Potentiometer,IC Socket,Relay,Connector.Our parts cover such applications as commercial,industrial, and automotives areas.

We are looking forward to setting up business relationship with you and hope to provide you with the best service and solution. Let us make a better world for our industry!



## Contact us

Tel: +86-755-8981 8866 Fax: +86-755-8427 6832

Email & Skype: info@chipsmall.com Web: www.chipsmall.com

Address: A1208, Overseas Decoration Building, #122 Zhenhua RD., Futian, Shenzhen, China

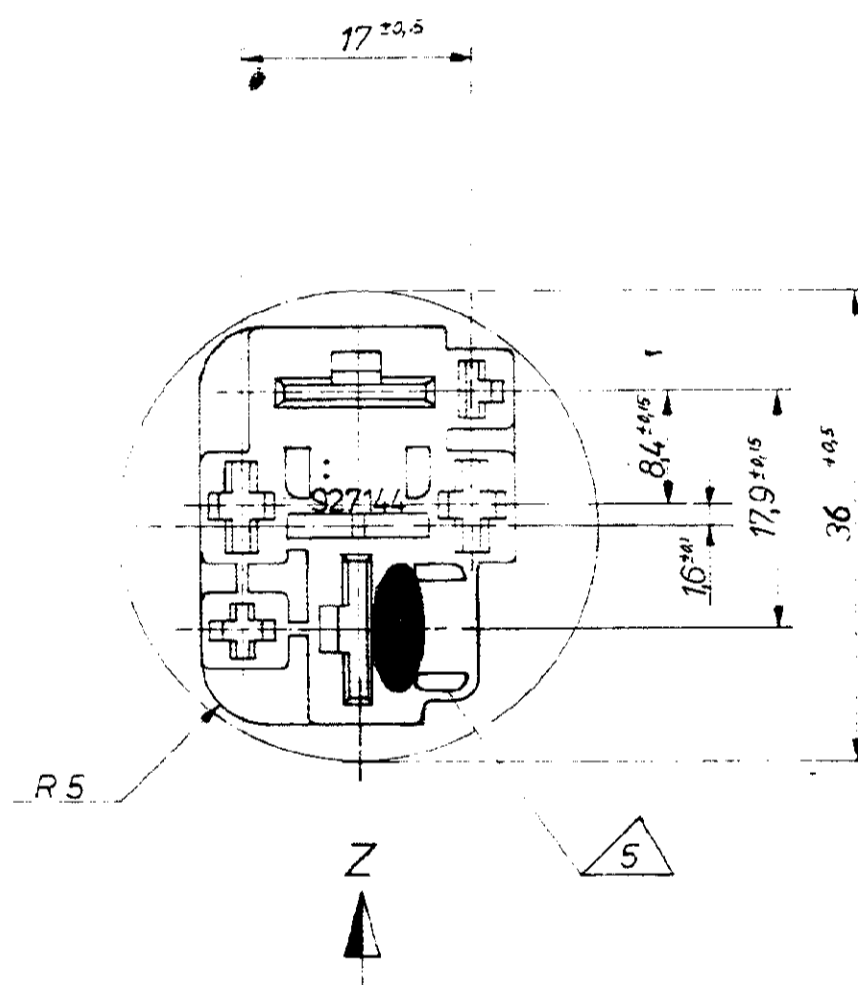


FORD N° 83 BG 14488 AAA

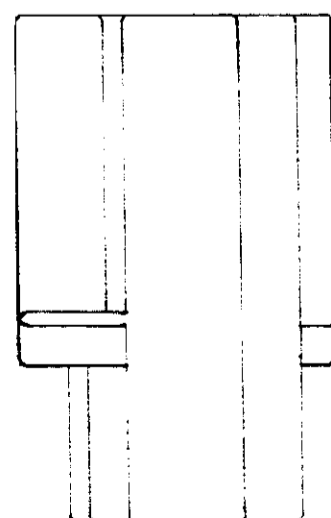
Änderungen, die dem technischen Fortschritt dienen, behalten wir uns vor.

Zerlegung	gezeichnet durch	nr	Änderung	Tag	Notiz
1	C. ...	1	Durchbrüche neu	15.9.81	
2	AM...	2			
3	AM...	3			

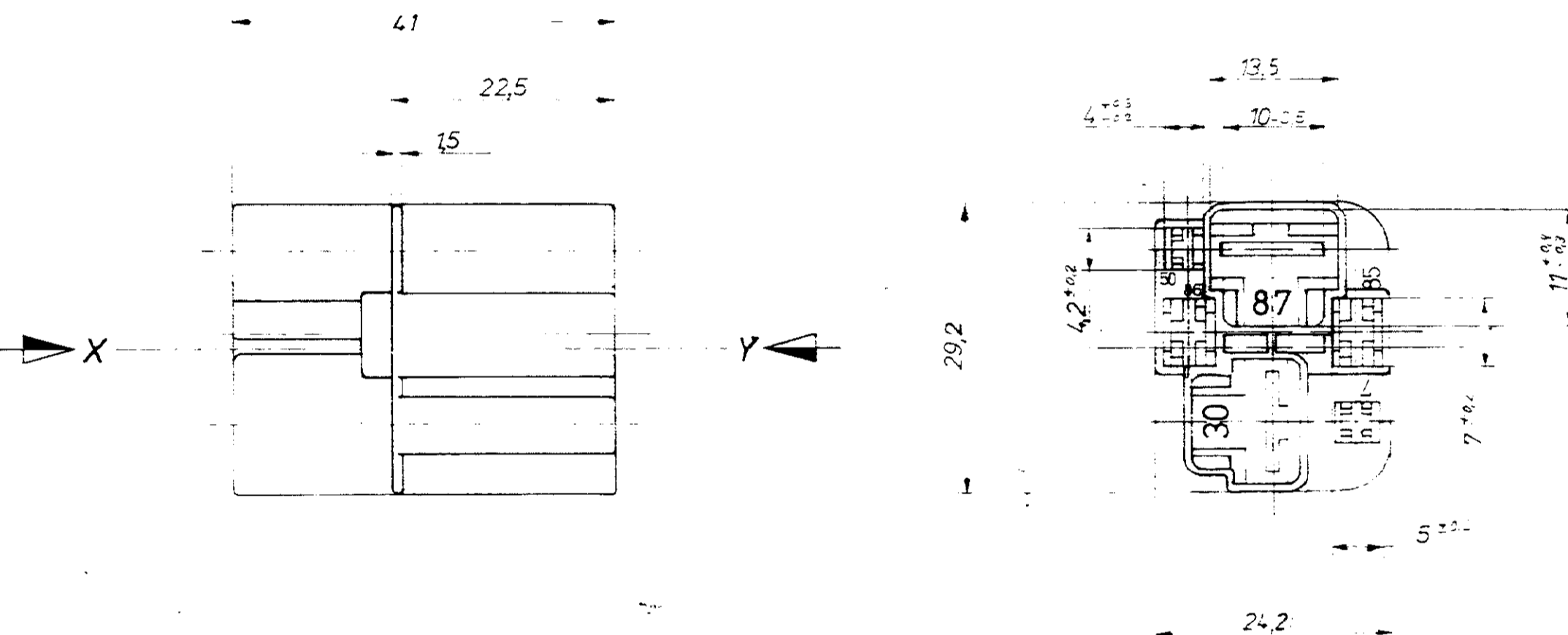
Ansicht view Y



Ansicht view Z



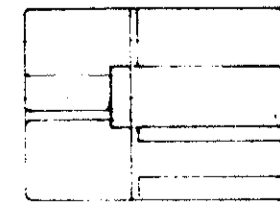
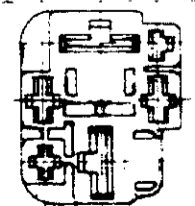
Ansicht view X



- 1 Nicht bemessene Wanddicken  
wall thickness except as noted 0,8 mm
- 2 Nicht bemessene Radien  
all radii except as noted R 0,6 mm
- 3 Gehäusematerial gemäß  
housing material according to FORD SPEC. SKM-4D-9585-A (Zytel 101)
- 4 Gehäuse passend zu  
housing fitting with 2 x FORD SL 101.23 (MINI SPRING REC.)  
2 x FORD SL 101.36 (DOPPELFLACHFEDERKONTAKT)  
2 x FORD SL 101.73 (KOMBI KONTAKT AMP 926 935)
- 4 Relaissockel passend zu  
relais connector housing fitting with BOSCH RELAIS BOSCH N°A 335 502 171
- 5 Kundenwarenzeichen nach  
customer trade mark according to FORD SPEC. EU 2922 A N° 2
- 6 Alle Außenwände mit matter Oberfläche  
all outside walls with frosted surface

FOR FORD ONLY

Relaiskontur  
Relayfigure



Maßstab  
scale 1:1

		<b>AMP</b>	
		5-poliger Relaissockel	
927 144 -1	FA56	schwarz	<b>K</b>
C 927 144			
17.781			1 von 1

Warr/was 87-9325