



Chipsmall Limited consists of a professional team with an average of over 10 year of expertise in the distribution of electronic components. Based in Hongkong, we have already established firm and mutual-benefit business relationships with customers from,Europe,America and south Asia,supplying obsolete and hard-to-find components to meet their specific needs.

With the principle of "Quality Parts,Customers Priority,Honest Operation,and Considerate Service",our business mainly focus on the distribution of electronic components. Line cards we deal with include Microchip,ALPS,ROHM,Xilinx,Pulse,ON,Everlight and Freescale. Main products comprise IC,Modules,Potentiometer,IC Socket,Relay,Connector.Our parts cover such applications as commercial,industrial, and automotives areas.

We are looking forward to setting up business relationship with you and hope to provide you with the best service and solution. Let us make a better world for our industry!



Contact us

Tel: +86-755-8981 8866 Fax: +86-755-8427 6832

Email & Skype: info@chipsmall.com Web: www.chipsmall.com

Address: A1208, Overseas Decoration Building, #122 Zhenhua RD., Futian, Shenzhen, China

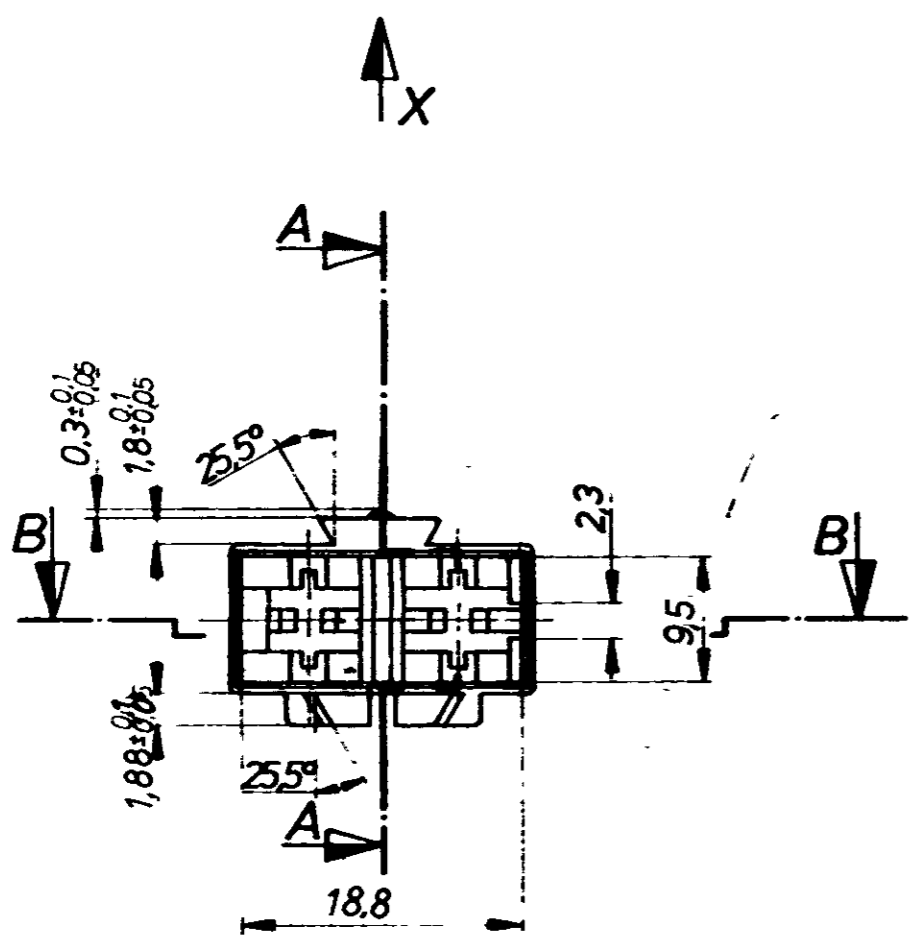
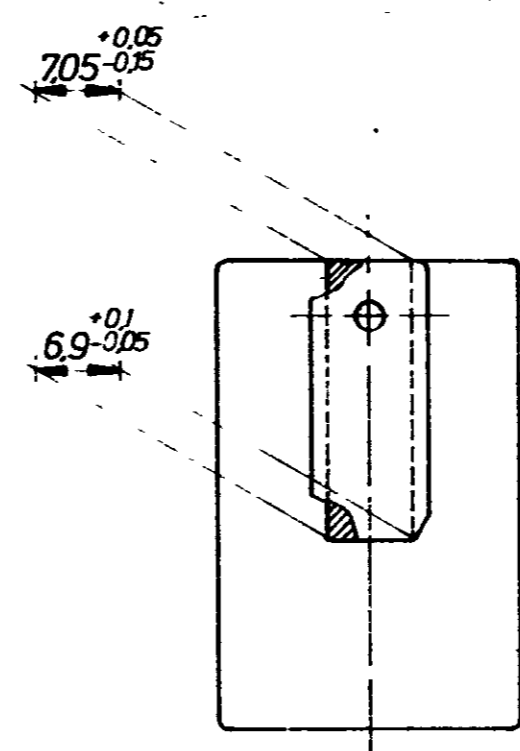
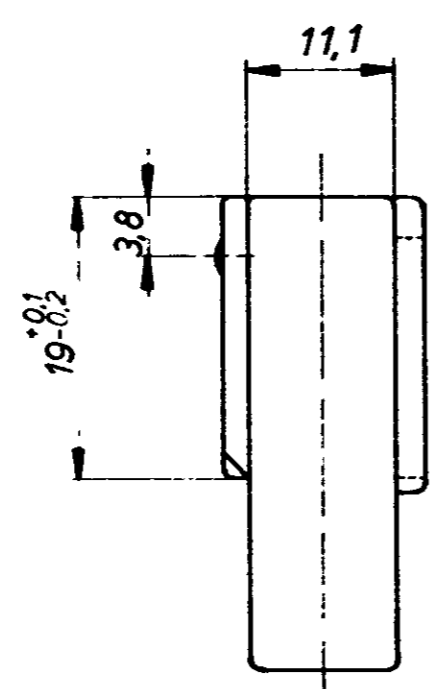
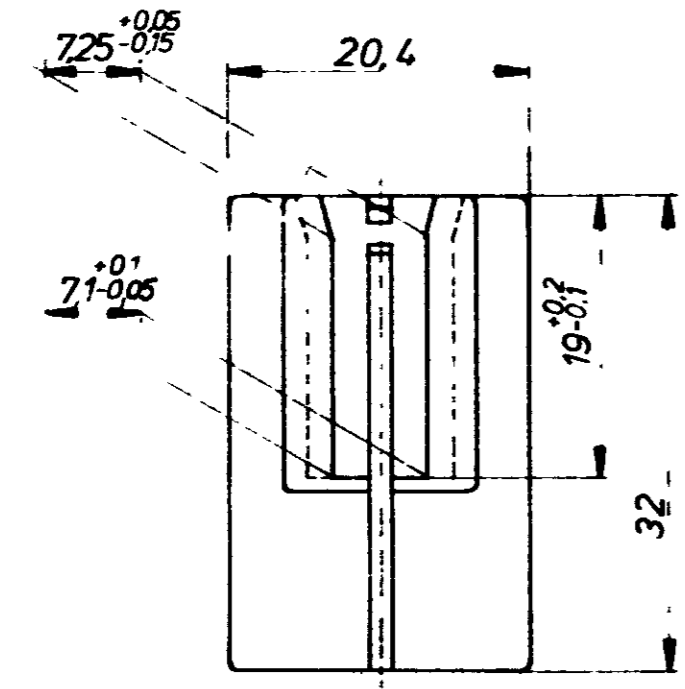


was 80-9120

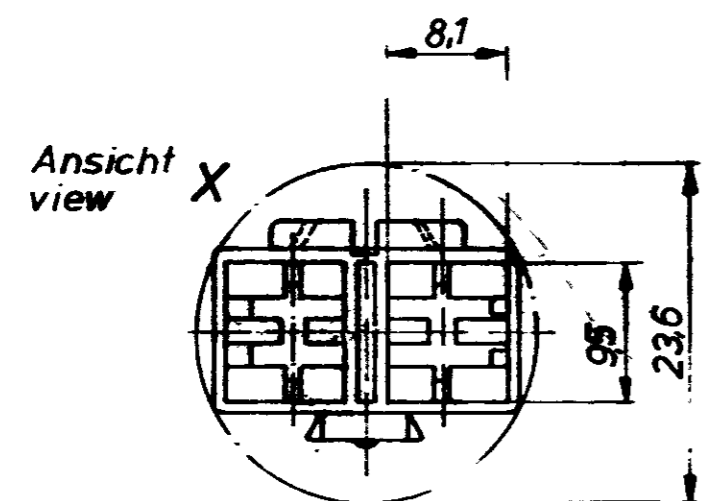
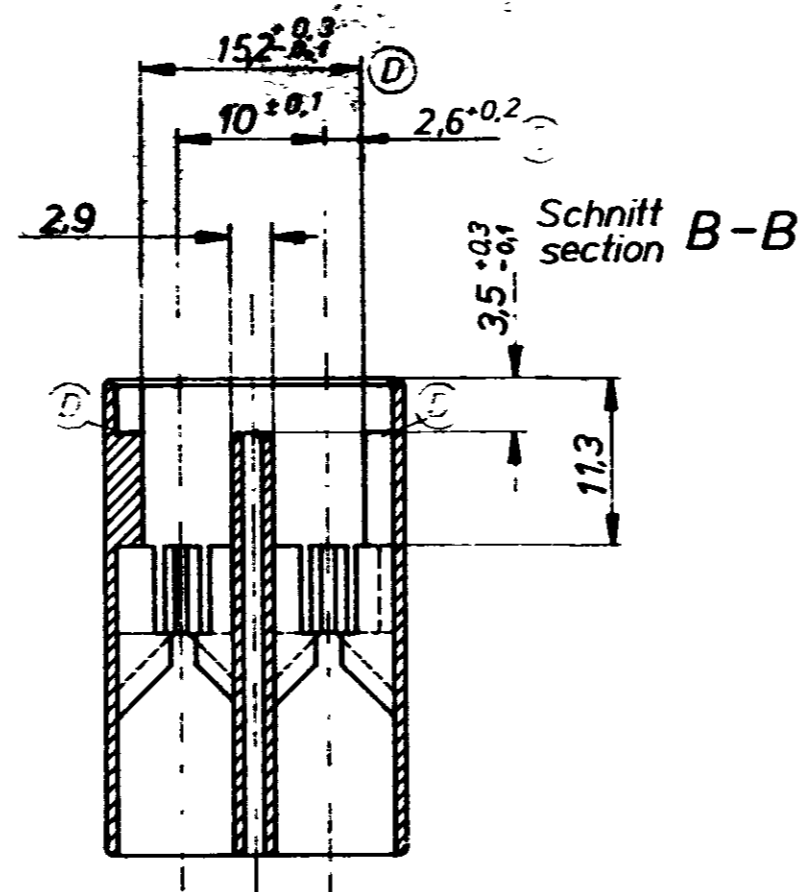
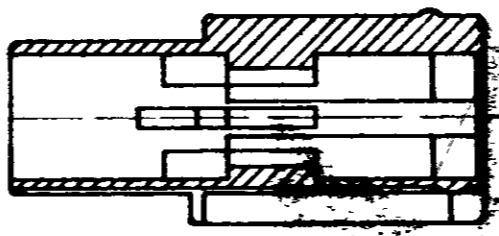
Änderungen die dem technischen Fortschritt dienen, behalten wir uns vor

Zzeichnung geschützt durch
© Copyright 1981
AMP DEUTSCHLAND GmbH
Alle Rechte vorbehalten

Index	Anderung	Tag	Name
A	60° herausgenommen	28.5.82	
B	Schwabenschwanzführung vermaßt	8.7.82	
C	Schraube entfällt	17.11.83	
D	Maß 15,2 war 16; 26 war 34, Rippe abgesetzt	23.5.84	
E	-2 gelb hinzu, ZYTEL 101 war ZYTEL 408	21.8.84	



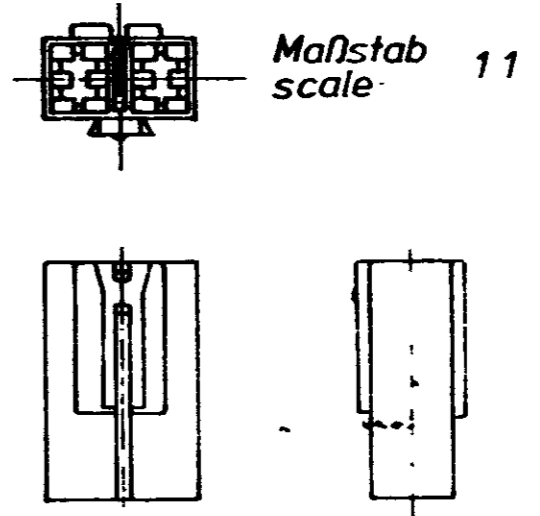
Schnitt section A-A



NOTES

1 Nicht bemaste Wanddicken
wall thickness except as noted

2 Nicht vermaßte Radien 0.5
all radii 0.5 except as noted



		AMP AMP DEUTSCHLAND GmbH Langen b Ffm	
927 203 - 2	PA 6.6 ZYTEL 101	gelb	K
927203 - 1	PA 6.6 ZYTEL 101	schwarz	
Bestell-Nr.	Werkstoff	Oberfläche Farbe	Nicht tolerierte Maße : 0,3mm : 1° 30'
Bez. 21. November 81	Gepr. 17.2.82 J. U. G.	Gepr.	Formel C
		Maßstab 2:1	Zeichnungs-Nr. 927203
			Blatt-Nr. 1 von 1