



Chipsmall Limited consists of a professional team with an average of over 10 year of expertise in the distribution of electronic components. Based in Hongkong, we have already established firm and mutual-benefit business relationships with customers from,Europe,America and south Asia,supplying obsolete and hard-to-find components to meet their specific needs.

With the principle of “Quality Parts,Customers Priority,Honest Operation,and Considerate Service”,our business mainly focus on the distribution of electronic components. Line cards we deal with include Microchip,ALPS,ROHM,Xilinx,Pulse,ON,Everlight and Freescale. Main products comprise IC,Modules,Potentiometer,IC Socket,Relay,Connector.Our parts cover such applications as commercial,industrial, and automotives areas.

We are looking forward to setting up business relationship with you and hope to provide you with the best service and solution. Let us make a better world for our industry!



Contact us

Tel: +86-755-8981 8866 Fax: +86-755-8427 6832

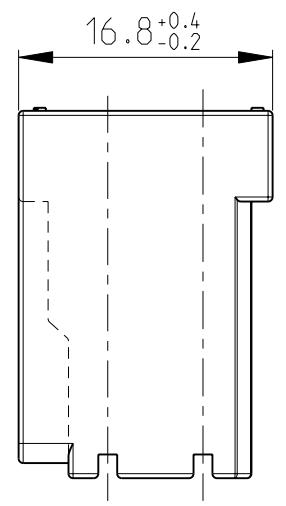
Email & Skype: info@chipsmall.com Web: www.chipsmall.com

Address: A1208, Overseas Decoration Building, #122 Zhenhua RD., Futian, Shenzhen, China

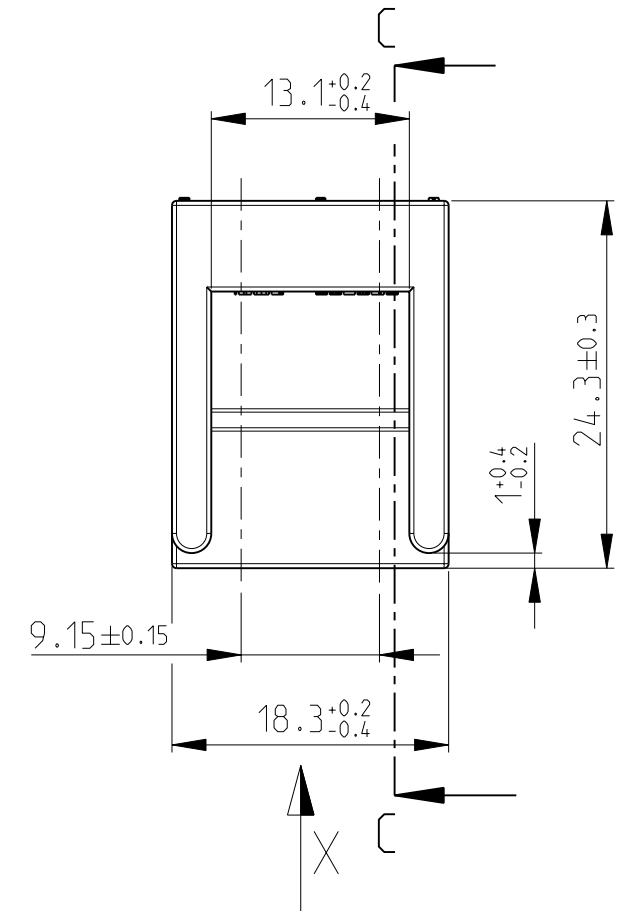


THIS DRAWING IS UNPUBLISHED. RELEASED FOR PUBLICATION 20
 © COPYRIGHT 20 BY TYCO ELECTRONICS CORPORATION. ALL RIGHTS RESERVED.

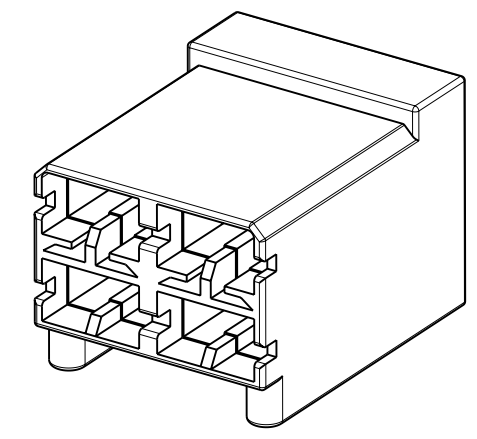
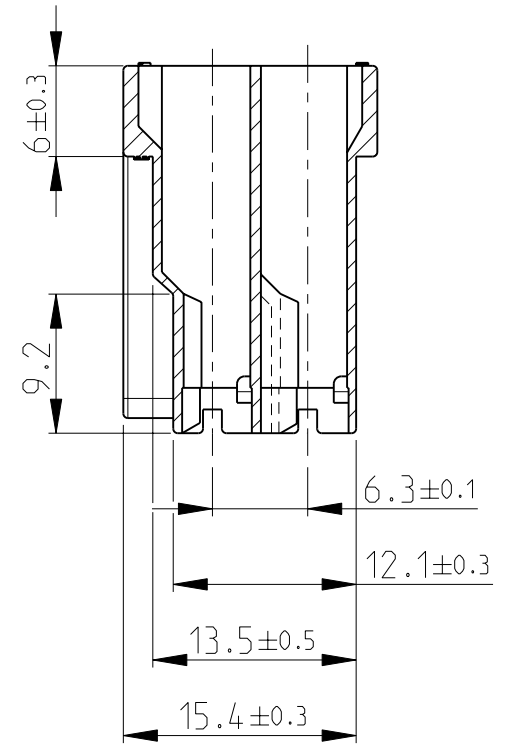
LOC	DIST	REVISIONS			
P	LTR	DESCRIPTION	DATE	DWN	APVD
A1	-				
	1	-3 of u.-4 natur ergänzt	29SEP1986	-	-
	2	-5 gelb ergänzt	24NOV1986		
	B	DATA IN CAD	02JUN2008		



Ansicht X
VIEW



Schnitt C-C
SECTION M 2:1

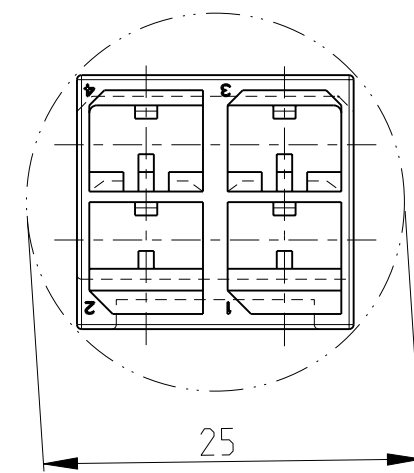
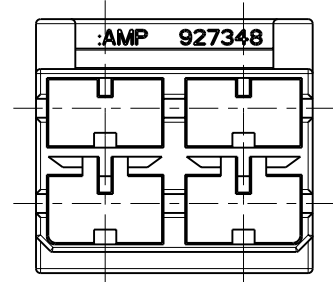


Bemerkungen:
NOTES

Nicht bemaßte Wanddicken 0.9^{+0.2}/_{-0.4}
NOT SPECIFIED WALL THICKNESS

Nicht bemaßte Radien R0.3^{+0.2}
NOT SPECIFIED RADII

war 82-9388
WAS



②	927348-5	B	PA 6.6	YELLOW
	927348-4	B	PA 6.6	NATURAL
①	927348-3	B	PA 6.6	RED
	927348-2	B	PA 6.6	GREY
	927348-1	B	PA 6.6	BLACK
	ORDER NO.	REV.	MATERIAL	COLOUR

<small>THIS DRAWING IS A CONTROLLED DOCUMENT FOR TYCO ELECTRONICS CORPORATION IT IS SUBJECT TO CHANGE AND THE CONTROLLING ENGINEERING ORGANIZATION SHOULD BE CONTACTED FOR THE LATEST REVISION.</small>		DWN PETTKE 070CT1982 CHK ULLRICH 080CT1982 APVD - PRODUCT SPEC - APPLICATION SPEC - WEIGHT -		Tyco Electronics AMP GmbH 64625 Bensheim (Germany)	
DIMENSIONS: mm 		TOLERANCES UNLESS OTHERWISE SPECIFIED: ±0.2 0 PLC ± 1 PLC ± 2 PLC ± 3 PLC ± 4 PLC ± ANGLES ±1.5°		NAME 4 POS. POSITIVE LOCK HOUSING SERIES 6.3 (.250)	
MATERIAL -		FINISH -		SIZE A3 CAGE CODE 00779 DRAWING NO ©=927348 RESTRICTED TO -	
CUSTOMER DRAWING				SCALE 2:1	SHEET 1 OF 1 REV B