



Chipsmall Limited consists of a professional team with an average of over 10 year of expertise in the distribution of electronic components. Based in Hongkong, we have already established firm and mutual-benefit business relationships with customers from,Europe,America and south Asia,supplying obsolete and hard-to-find components to meet their specific needs.

With the principle of “Quality Parts,Customers Priority,Honest Operation,and Considerate Service”,our business mainly focus on the distribution of electronic components. Line cards we deal with include Microchip,ALPS,ROHM,Xilinx,Pulse,ON,Everlight and Freescale. Main products comprise IC,Modules,Potentiometer,IC Socket,Relay,Connector.Our parts cover such applications as commercial,industrial, and automotives areas.

We are looking forward to setting up business relationship with you and hope to provide you with the best service and solution. Let us make a better world for our industry!



Contact us

Tel: +86-755-8981 8866 Fax: +86-755-8427 6832

Email & Skype: info@chipsmall.com Web: www.chipsmall.com

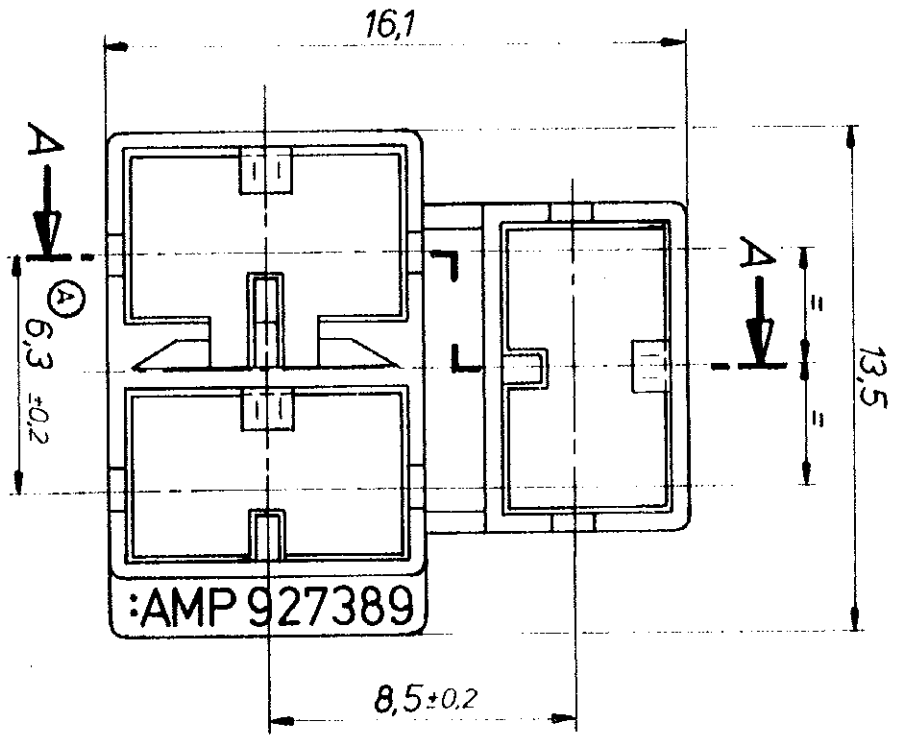
Address: A1208, Overseas Decoration Building, #122 Zhenhua RD., Futian, Shenzhen, China



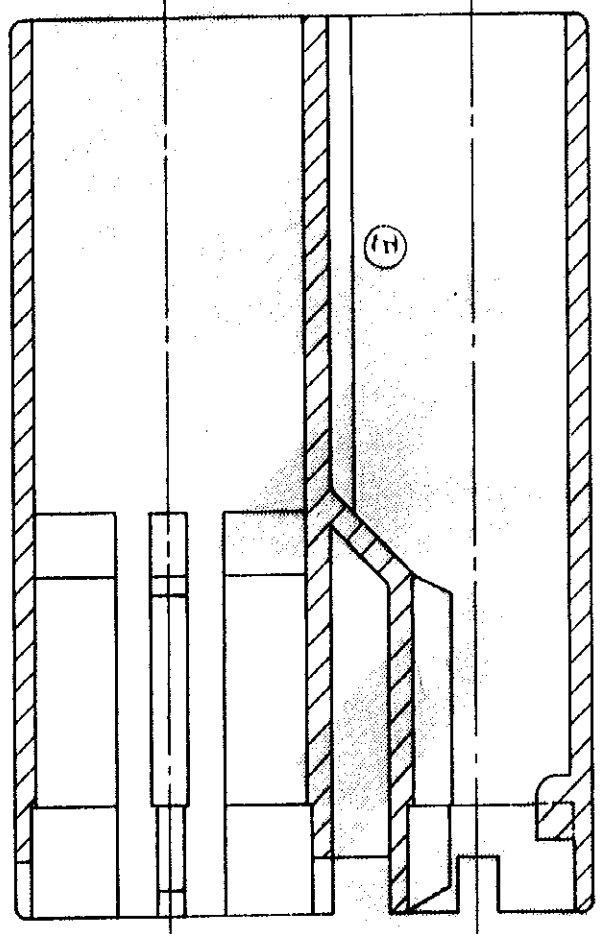
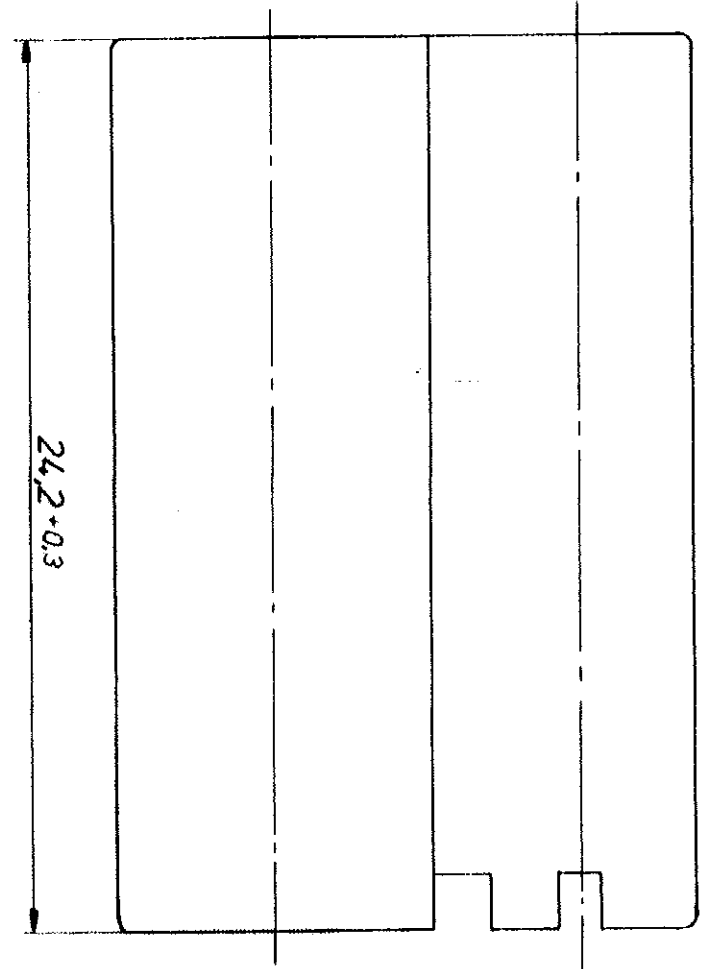
Alle Rechte vorbehalten
 Nachdruck, Vervielfältigung
 und Verbreitung, auch auszugsweise,
 ist ohne schriftliche Genehmigung
 AMP DEUTSCHLAND GmbH

Zeichnung geschützt durch
 © Copyright 1983
 AMP DEUTSCHLAND GmbH
 Alle Rechte vorbehalten

Index	Anderung	Tag	Name
A	Maß 1,5 gL war 6,35	11.83	
B	2 Rippen hinzugefügt	18.1.84	JKL
C	-2 Anzue	03.06.85	KOP



Schnitt A-A



AMP DEUTSCHLAND GmbH Langen b Ffm		Benennung 3-pol. Gehäuse für Positive Lock Kontakte 	
927 389-2	PA 6.6	weiß	
927 389-1	PA 6.6	schwarz	
Bestell-Nr.	Werkstoff	Oberfläche Farbe	Gepr.
u.münk	20.10.83	21.10.83	ge
Nicht tolerierte Maße ± 0,3 mm ± 1,5 mm Maßstab 5:1		Format B	Zeichnungs-Nr. 927 389 Blatt-Nr. 1 von 1