



Chipsmall Limited consists of a professional team with an average of over 10 year of expertise in the distribution of electronic components. Based in Hongkong, we have already established firm and mutual-benefit business relationships with customers from,Europe,America and south Asia,supplying obsolete and hard-to-find components to meet their specific needs.

With the principle of “Quality Parts,Customers Priority,Honest Operation,and Considerate Service”,our business mainly focus on the distribution of electronic components. Line cards we deal with include Microchip,ALPS,ROHM,Xilinx,Pulse,ON,Everlight and Freescale. Main products comprise IC,Modules,Potentiometer,IC Socket,Relay,Connector.Our parts cover such applications as commercial,industrial, and automotives areas.

We are looking forward to setting up business relationship with you and hope to provide you with the best service and solution. Let us make a better world for our industry!



Contact us

Tel: +86-755-8981 8866 Fax: +86-755-8427 6832

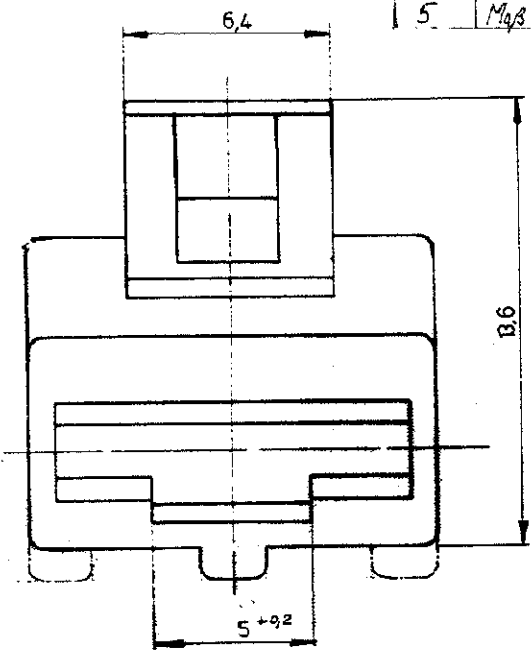
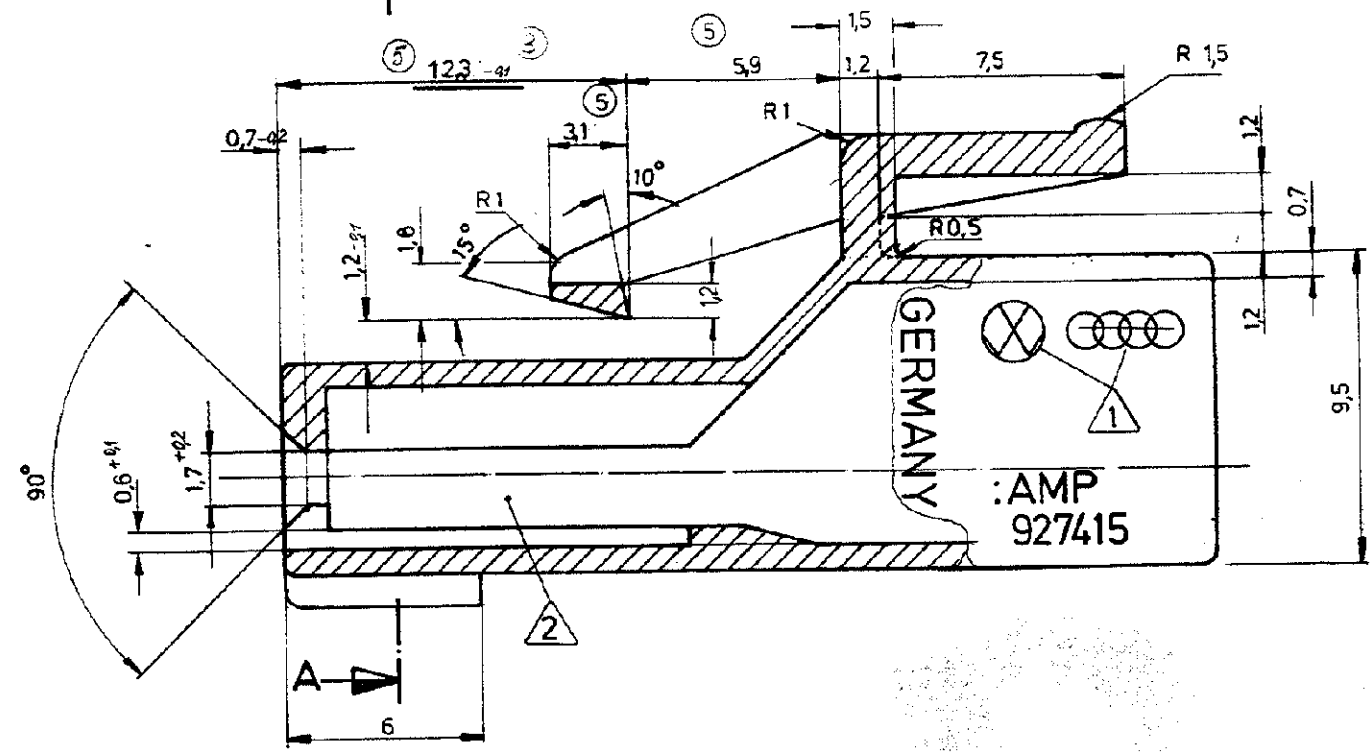
Email & Skype: info@chipsmall.com Web: www.chipsmall.com

Address: A1208, Overseas Decoration Building, #122 Zhenhua RD., Futian, Shenzhen, China

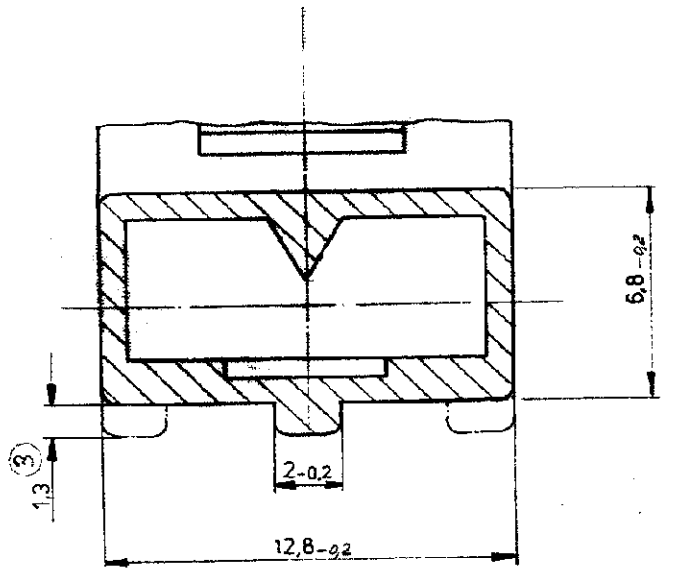


Zeichnung geschützt durch
 © Copyright 1984
 AMP DEUTSCHLAND GmbH
 Alle Rechte vorbehalten

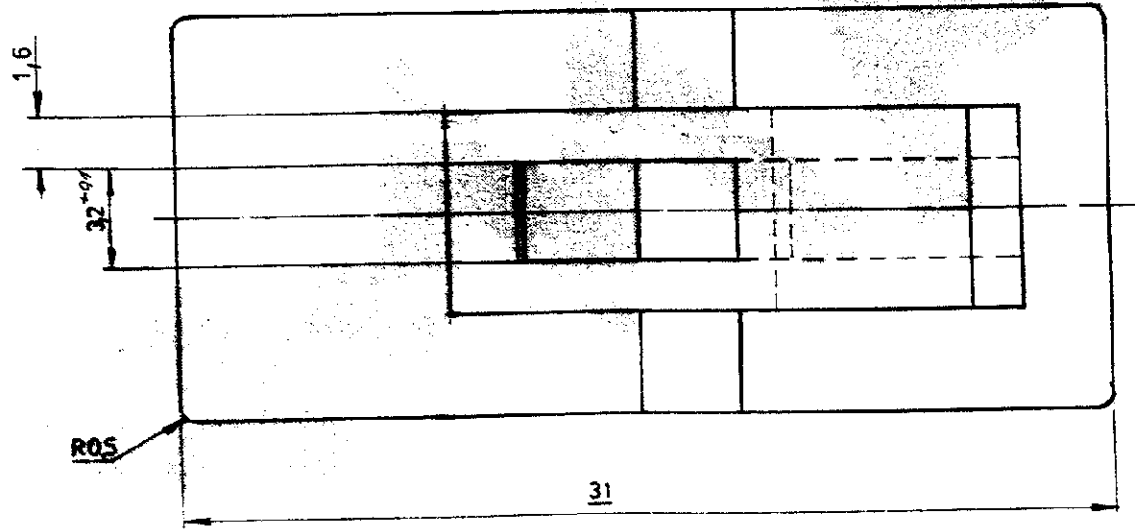
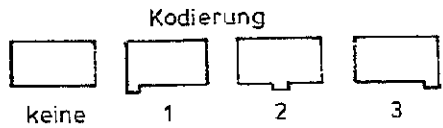
Index	Anderung	Tag	Name
1	Zustellen geändert	8.10.84	Altmann
2	Kodierungen hinzu	18.7.86	Kowollik
3	Maß 11,7-0,1 war 10,7-0,1; Maß 1,3 war 1; -5 hinz.	15.8.86	HOFER
4	GERMANY hinzu	19.10.87	KS
5	Maß 12,3-0,1 war 11,7-0,1; 5,9 war 6,5.	7.03.88	Nibbelke



SCHNITT A-A



1 VW-WARENZEICHEN 4 VW 105 14 B
 2 KAMMER NACH VW 751 63 BLATT 2



927415-5	PA 6.6	2	GELB
927415-4	PA 6.6	1	ROT
927415-3	PA 6.6	2	SCHWARZ
927415-2	PA 6.6	3	BRAUN
927415-1	PA 6.6	keine	NATUR
Bestell-Nr.	Werkstoff	Kodierung	Oberfläche Farbe
Gez. 10.2.84 Altmann	Gepr. 1.3.84 Heith	Gepr.	

AMP AMP DEUTSCHLAND GmbH
 Langen b Ffm

Benennung
**1 POL. GEHÄUSE FÜR
 9,5 F.F. STECKHÜLSE**

K

Nicht tolerierte Maße
 ± 0,2 mm
 ± 1,5 °

Format **B** Zeichnungs-Nr. **927415** Rev. 5
 Maßstab 5:1 Blatt-Nr.