



Chipsmall Limited consists of a professional team with an average of over 10 year of expertise in the distribution of electronic components. Based in Hongkong, we have already established firm and mutual-benefit business relationships with customers from,Europe,America and south Asia,supplying obsolete and hard-to-find components to meet their specific needs.

With the principle of “Quality Parts,Customers Priority,Honest Operation,and Considerate Service”,our business mainly focus on the distribution of electronic components. Line cards we deal with include Microchip,ALPS,ROHM,Xilinx,Pulse,ON,Everlight and Freescale. Main products comprise IC,Modules,Potentiometer,IC Socket,Relay,Connector.Our parts cover such applications as commercial,industrial, and automotives areas.

We are looking forward to setting up business relationship with you and hope to provide you with the best service and solution. Let us make a better world for our industry!



Contact us

Tel: +86-755-8981 8866 Fax: +86-755-8427 6832

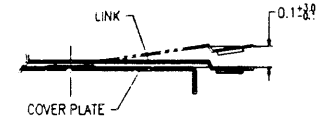
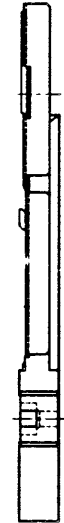
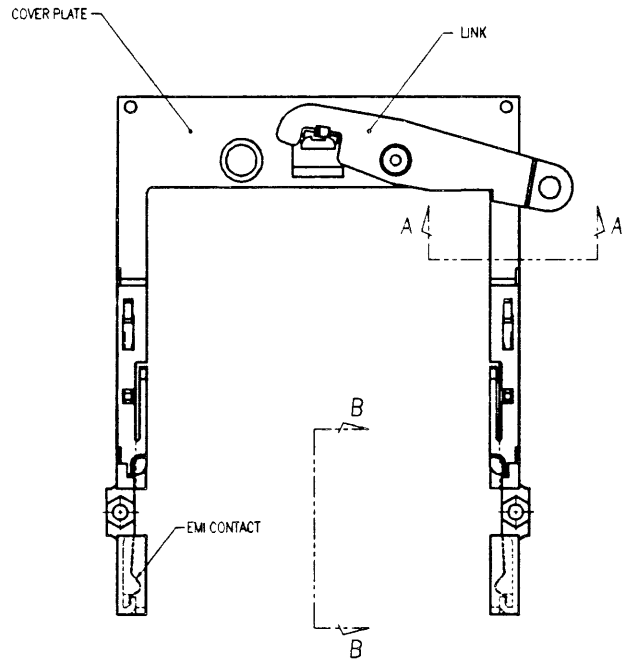
Email & Skype: info@chipsmall.com Web: www.chipsmall.com

Address: A1208, Overseas Decoration Building, #122 Zhenhua RD., Futian, Shenzhen, China



PRODUCT NO.
92768-001

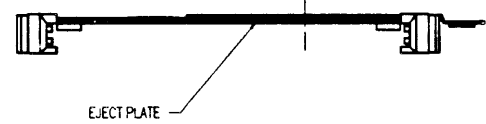
REVISIONS			
REV	DESCRIPTION	ECN	BY DATE
A	RELEASED	J30099	NIT 4/17/93
B	ADDED	J37287	M 4/19/93



VIEW "A" - "A"



VIEW "B" - "B"



NOTE

1 THIS GUIDE ASSY SHOULD BE FOR THE SINGLE OR UPPER DECK OF DOUBLE HDR (NON-PUSH ROD).

注意

1 ※ GUIDE ASSYは NON-PUSH RODタイプのシングル用又はダブルヘッダーの UPPER DECK 用に使用のこと。

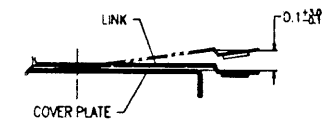
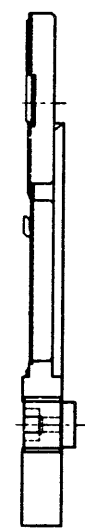
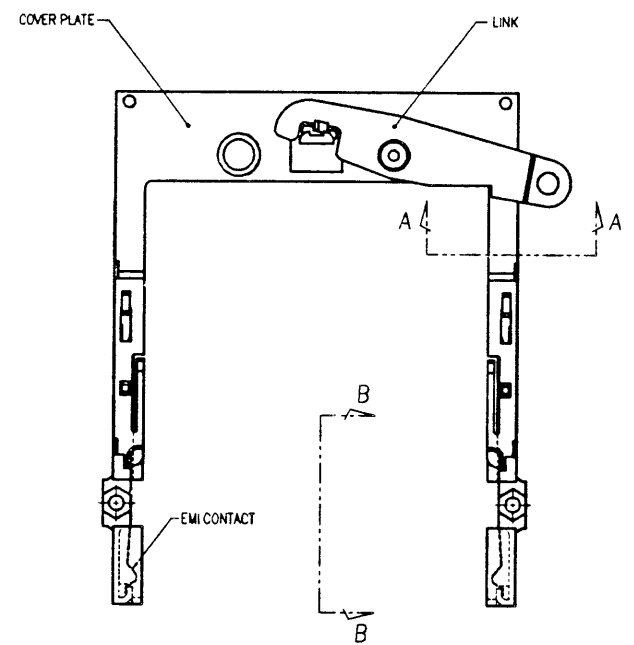
SHEET INDEX	ISSUE	B	A	A	A	A	A	A	A	A	A	A	A	A	A	A	A	A	A	A	
	SH. NO.	1	2	3	4	5	6	7	8	9	10	11									
TOLERANCES UNLESS OTHERWISE SPECIFIED		MAY		—		—		—		—		—		—		—		—		—	
LINEAR																					
ANGLES																					



TITLE: 6BP EJECTOR HEADER TYPE I / II / III MECHANISM ASSY (NON-PUSH ROD)
SCALE: SIZE C Dwg. NO. 92768 REV. SHEET B 1 of 1

PRODUCT NO.
92768-021

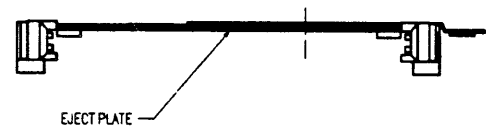
REVISIONS			
REV	DESCRIPTION	ECN	BY DATE
A	RELEASED	J300699	N.T. 4/17/83



VIEW "A" - "A"



VIEW "B" - "B"



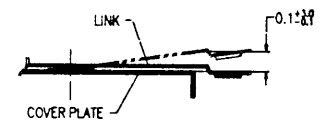
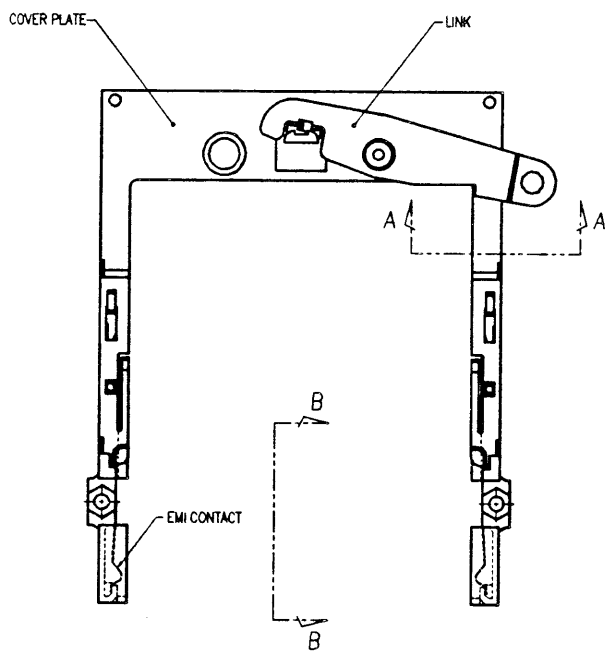
NOTE
1 THIS GUIDE ASSY SHOULD BE FOR THE SINGLE OR UPPER DECK OF DOUBLE HDR (NON-PUSH ROD).

注意
1 本 GUIDE ASSY は NON-PUSH ROD タイプのシシクル用又はダブルヘッダーの UPPER DECK 用に使用のこと。

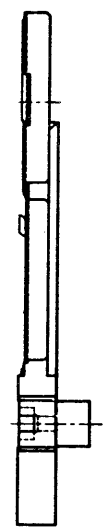
SHEET INDEX	ISSUE SH. NO.											DuPont Electronics				
TOLERANCES UNLESS OTHERWISE SPECIFIED		MAT	DR	ENGR	DATE	CUSTOMER COPY	TITLE					SCALE	SIZE	DRWG. NO.	REV	SHEET
LINEAR		FINISH	CHK				68P EJECTOR HEADER TYPE 1 / 1 / 1 MECHANISM ASSY (NON-PUSH ROD)					2/1	C	92768	A	2 of
ANGLES			DR				M. Fukuro 4/28/80 K. Takai 4/28/80 M. Nagano 4/17/80 M. Kinoshita 4/28/80					UNIT	MM			

PRODUCT NO.
92768-051

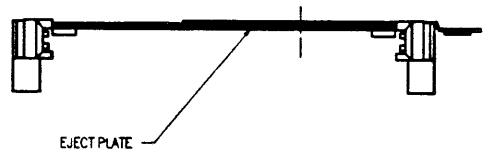
REVISIONS				
REV	DESCRIPTION	ECN	BY	DATE
A	RELEASED	J30099	N.T.	4/1/93



VIEW "A"-"A"



VIEW "B"-"B"



NOTE

1 THIS GUIDE ASSY SHOULD BE FOR THE SINGLE OR UPPER DECK OF DOUBLE HDR (NON-PUSH ROD).

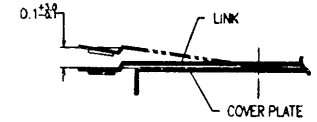
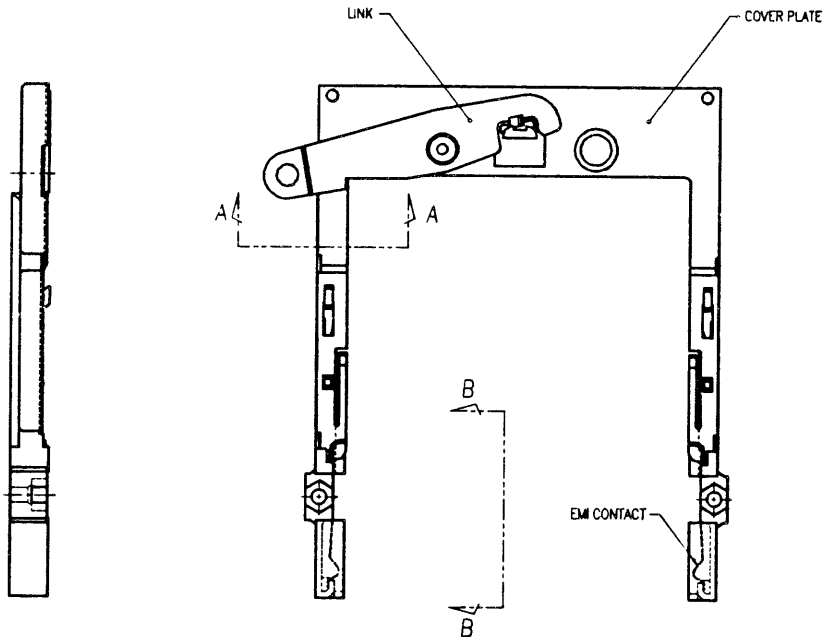
注意

1 本 GUIDE ASSY は NON-PUSH ROD タイプのシングル用又はダブルヘッダーの UPPER DECK 用に使用すること。

SHEET INDEX	ISSUE	SH. NO.											DuPont Electronics 			
TOLERANCES UNLESS OTHERWISE SPECIFIED			MAT	DR	DATE	CUSTOMER COPY	TITLE					SCALE	SIZE	DWG. NO.	REV	SHEET
			FINISH	ENGR	1/24/90	1/1	58P EJECTOR HEADER TYPE 1 / # / # MECHANISM ASSY (NON-PUSH ROD)					2/1	C	92768	A	3of
LINEAR				CHK	1/24/90	1/1	ISSUABLE FROM					UNIT				
ANGLES				APPR	4/1/90	05/90						MM				

PRODUCT NO.
92768-101

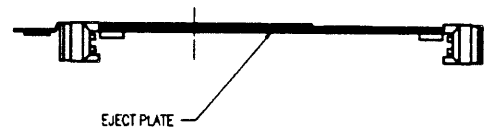
REVISIONS				
REV	DESCRIPTION	ECN	BY	DATE
A	RELEASED	J30099	N.T.	4/17/83



VIEW "A" - "A"



VIEW "B" - "B"



EJECT PLATE

NOTE

1 THIS GUIDE ASSY SHOULD BE FOR THE SINGLE OR UPPER DECK OF DOUBLE HDR (NON-PUSH ROD).

注意

1 本 GUIDE ASSY は NON-PUSH ROD タイプのシングル用又はダブルヘッダーの UPPER DECK 用に使われること。

SHEET INDEX	ISSUE		MAY	DR	DATE	CUSTOMER
	SH NO.					
			II	<i>M. Shikawa</i>	3/28/80	COPY
				<i>N. Takai</i>	3/28/80	
			II	<i>M. Nagano</i>	4/17/80	THIRD ANGLE PROJ
				<i>S. Muraoka</i>	4/17/80	UNIT

DuPont Electronics

TITLE: 68P EJECTOR HEADER TYPE I / II / III MECHANISM ASSY (NON-PUSH ROD)

SCALE: 2/1 C DWG. NO.: 92768 REV: A SHEET: 4 of 4