



Chipsmall Limited consists of a professional team with an average of over 10 year of expertise in the distribution of electronic components. Based in Hongkong, we have already established firm and mutual-benefit business relationships with customers from,Europe,America and south Asia,supplying obsolete and hard-to-find components to meet their specific needs.

With the principle of “Quality Parts,Customers Priority,Honest Operation,and Considerate Service”,our business mainly focus on the distribution of electronic components. Line cards we deal with include Microchip,ALPS,ROHM,Xilinx,Pulse,ON,Everlight and Freescale. Main products comprise IC,Modules,Potentiometer,IC Socket,Relay,Connector.Our parts cover such applications as commercial,industrial, and automotives areas.

We are looking forward to setting up business relationship with you and hope to provide you with the best service and solution. Let us make a better world for our industry!



## Contact us

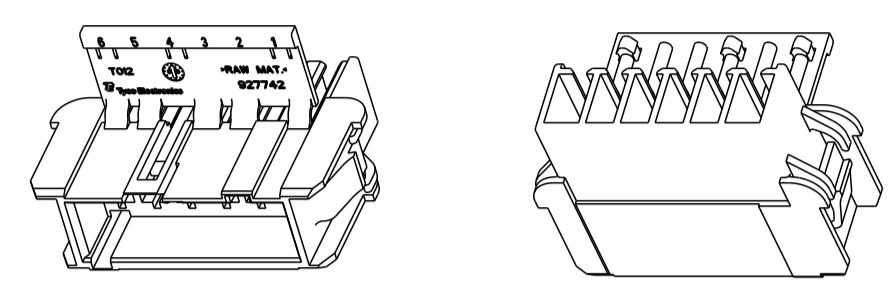
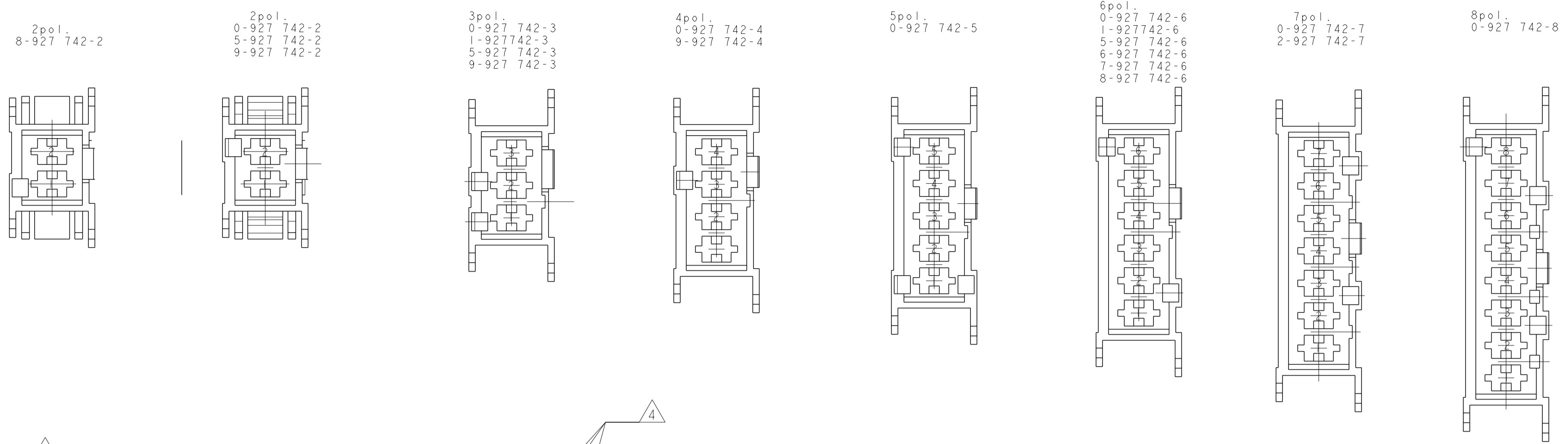
Tel: +86-755-8981 8866 Fax: +86-755-8427 6832

Email & Skype: info@chipsmall.com Web: www.chipsmall.com

Address: A1208, Overseas Decoration Building, #122 Zhenhua RD., Futian, Shenzhen, China



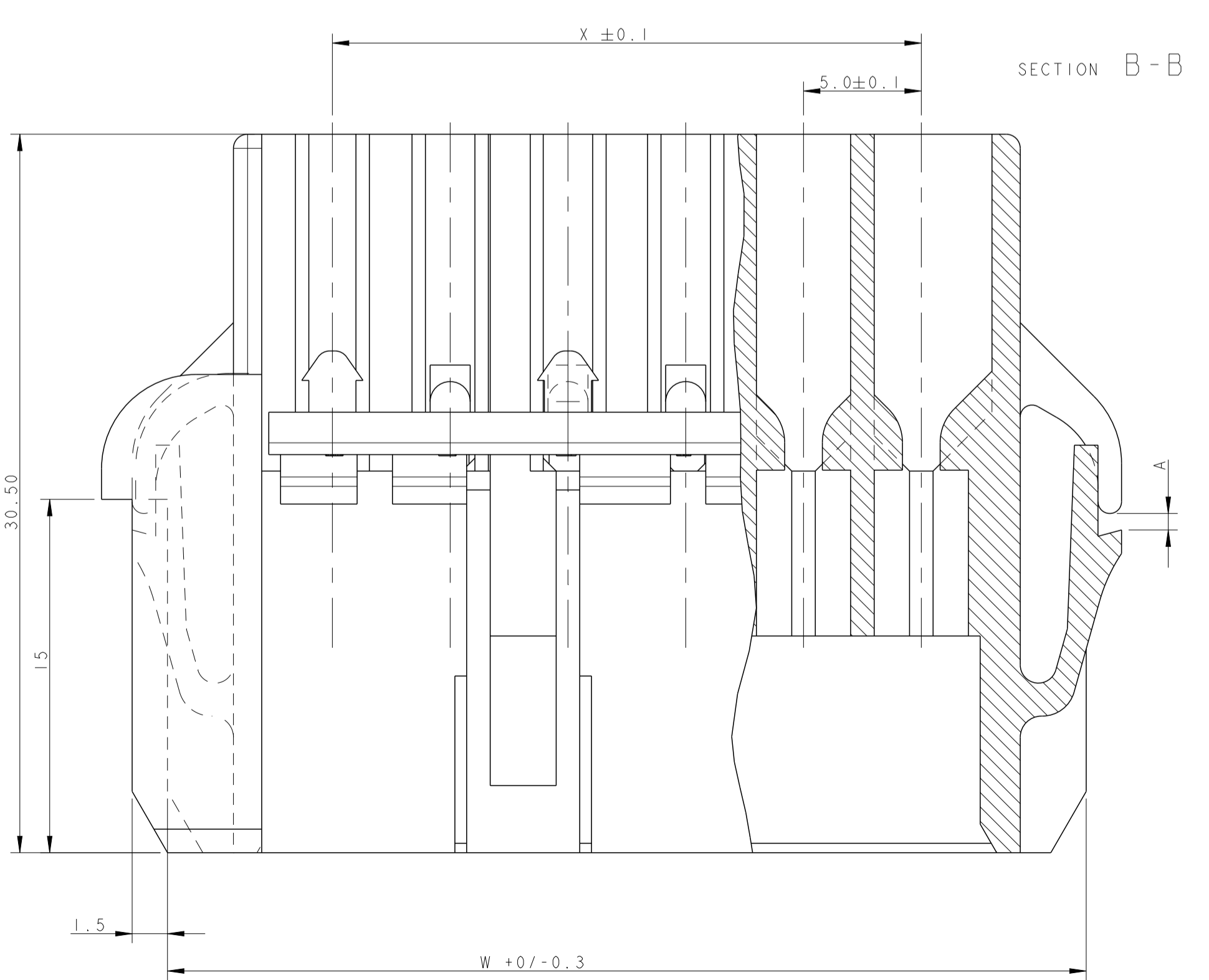
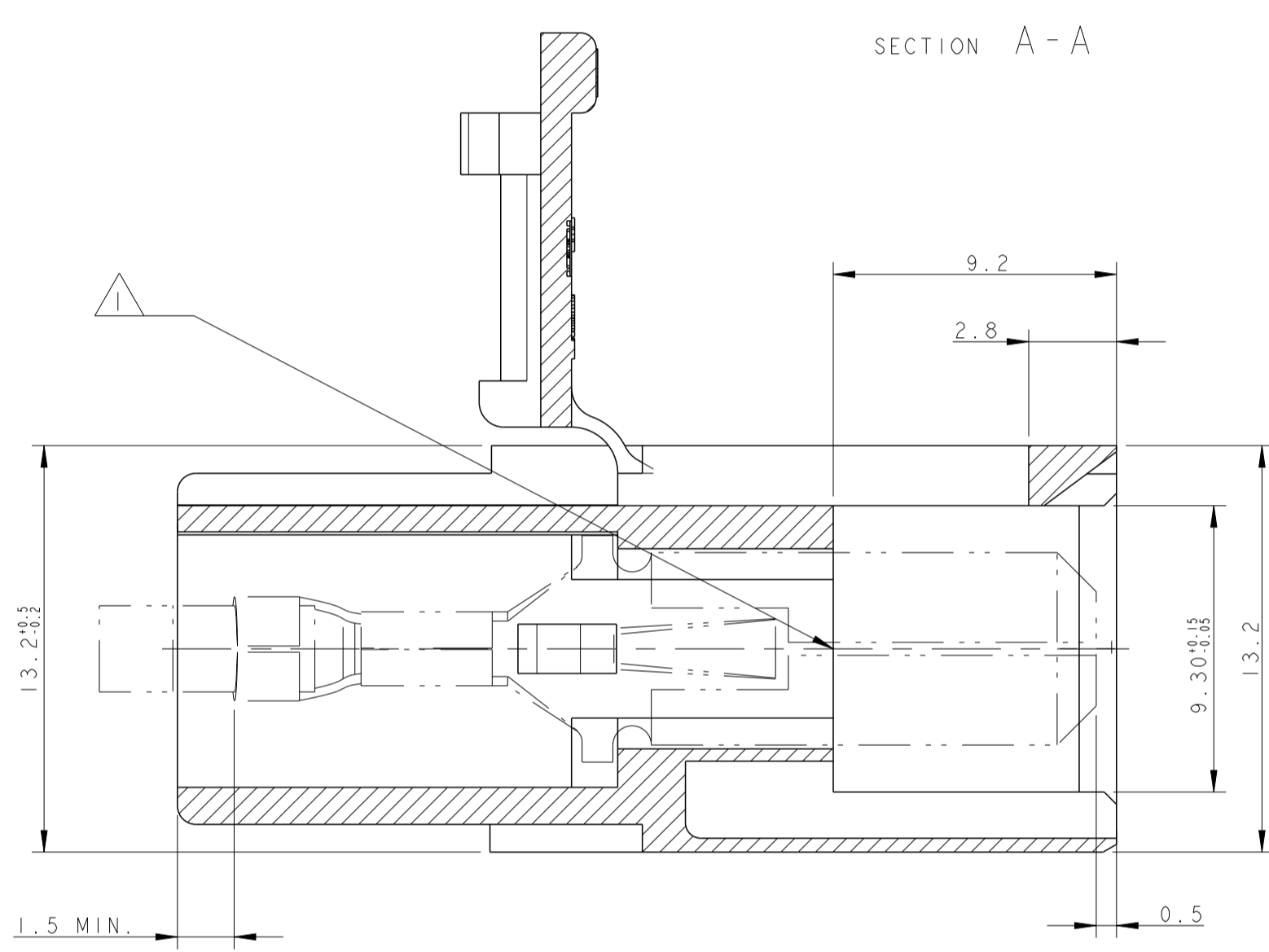
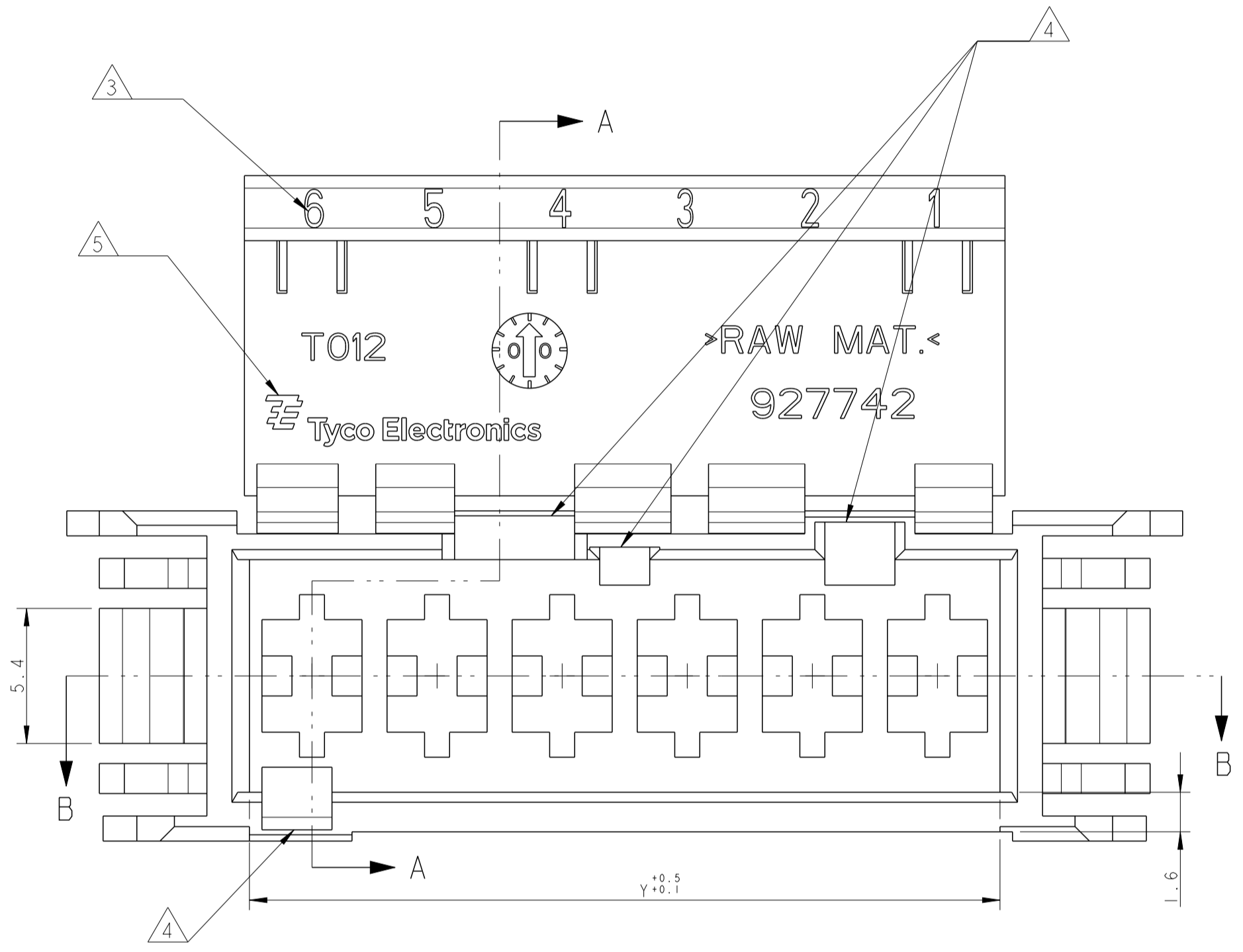
REVISIONS				
P	LTM	DESCRIPTION	DATE	APVD
G9		REVISED PER ECR-16-012572	04OCT2016	BW RS



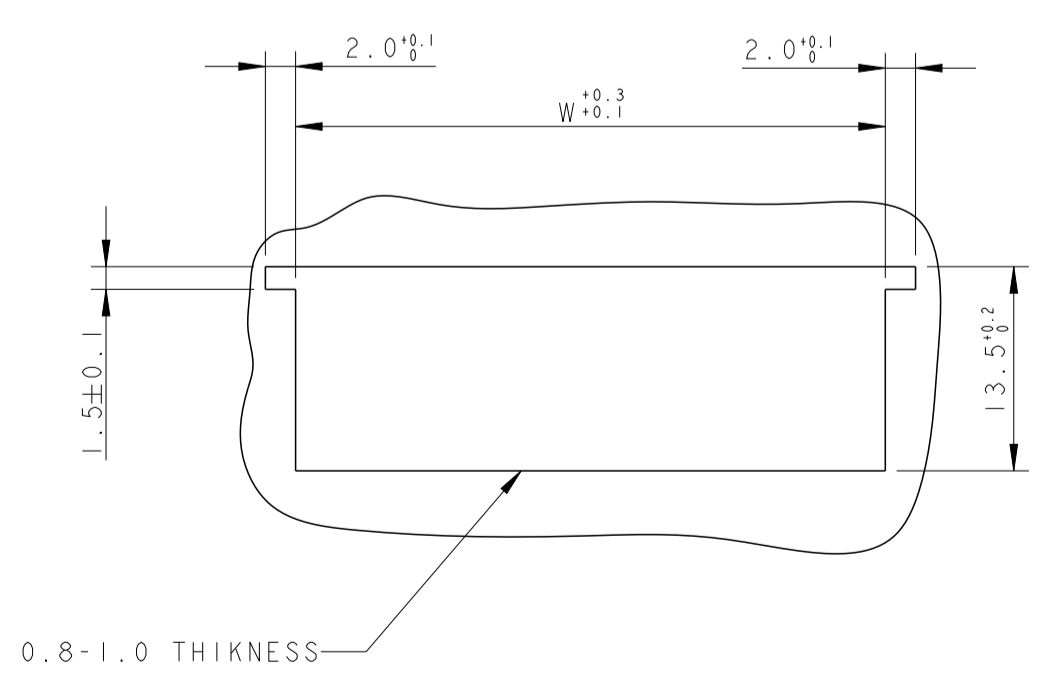
SCALE 1:1

1) TYPICAL CAVITY SUITABLE FOR:  
 FASTIN-FASTON TAB CONTACTS 6.3 mm SRS:  
 P/N: 60294, 0.3-0.8 mm2 WIRE RANGE  
 160691, 0.3-0.8 mm2 WIRE RANGE  
 AMPLIVAR CONTACTS:  
 P/N: 141051, 0.1-0.5 mm2 WIRE RANGE  
 142411, 0.3-1.6 mm2 WIRE RANGE  
 MAX. INSULATION DIA. 2.8 mm,  
 MAX. INSULATION CRIMP WIDTH 3.3 mm.

- 2) SEE TABLE FOR SUITABLE COUNTERPART.
- 3) CIRCUIT IDENTIFICATION No. ACCORDING TO DIN 1451.
- 4) POLARIZATION KEYS DIMENSIONS AND POSITIONS ARE ACCORDING TO "RAST 5" NORM
- 5) TE TRADEMARK "LOGO" AND TYCO ELECTRONICS "PART NUMBER" OPTIONAL POSITION.
- 6) PACKAGING ACCORDING TO TE SPEC. 107-20248.
- 7) PRODUCT ACCORDING TO IEC 60335-1 NORM.
- 8) NOT TOOLED YET.
- 9) SPECIAL VERSION WITH LARGER GAP "A"



PANEL CUT DIMENSIONS SCALE 1:1



POS.	W	X	Y	PART-NO.	STANDARD TIMER	MATERIAL	COLOUR	REV.	NOTE
12	-	-	-	-	-	-	-	-	-
11	-	-	-	-	-	-	-	-	-
10	-	-	-	-	-	-	-	-	-
9	-	-	-	-	-	-	-	-	-
8	-	-	-	-	-	-	-	-	-
7	44	30	35	2-927 742-7	0-927 740-7	UL94V-2	black	-	-
7	44	30	35	0-927 742-7	0-927 740-7	UL94V-2	natur	-	-
6	39	25	30	8-927 742-6	0-927 740-6	UL94-V0	natur	-	1
6	39	25	30	7-927 742-6	0-927 740-6	UL94V-2	natur	-	1
6	39	25	30	6-927 742-6	0-927 740-6	UL94V-0	black	-	-
6	39	25	30	5-927 742-6	0-927 740-6	UL94V-0	natur	-	-
6	39	25	30	1-927742-6	927740-6	UL94-V2	natur	-	7 9
6	39	25	30	0-927 742-6	0-927 740-6	UL94V-2	natur	-	-
5	34	20	25	0-927 742-5	0-927 740-5	UL94V-2	natur	-	9
4	29	15	20	9-927 742-4	0-927 740-4	UL94V-2	natur	-	7
4	29	15	20	0-927 742-4	0-927 740-4	UL94V-2	natur	-	-
3	24	10	15	9-927 742-3	0-927 740-3	UL94V-2	natur	-	1
3	24	10	15	5-927 742-3	0-927 740-3	UL94V-0	natur	-	-
3	24	10	15	2-927 742-3	0-927 740-3	UL94V-2	grey	-	-
3	24	10	15	1-927742-3	927740-3	UL94V-2	natur	-	7 9
OBSELETE	3	24	10	0-927 742-3	0-927 740-3	UL94V-2	natur	-	-
2	19	5	10	9-927 742-2	4-927 740-2	UL94V-2	natur	-	1
2	19	5	10	8-927 742-2	-	UL94V-2	natur	-	1
2	19	5	10	5-927 742-2	4-927 740-2	UL94V-0	natur	-	-
2	19	5	10	0-927 742-2	4-927 740-2	UL94V-2	natur	-	9

THIS DRAWING IS A CONTROLLED DOCUMENT. DWN: YAALI Z2MAR2005  
 CHK: G. TURCO  
 APVD: -

DIMENSIONS: mm TOLERANCES UNLESS OTHERWISE SPECIFIED:  
 0 PLC ±  
 1 PLC ±0.2  
 2 PLC ±  
 3 PLC ±  
 4 PLC ±  
 ANGLES ±°  
 FINISH SEE TABLE

PRODUCT SPEC  
 APPLICATION SPEC  
 WEIGHT  
 CUSTOMER DRAWING

NAME: 2-12 POS. FASTIN-FASTON CONNECTOR TAB HOUSING RAST 5, PANEL MOUNT VERSION  
 SIZE: A100779C=927742  
 SCALE: 5:1 SHEET 1 OF 1 REV: G9

TE Connectivity