



Chipsmall Limited consists of a professional team with an average of over 10 year of expertise in the distribution of electronic components. Based in Hongkong, we have already established firm and mutual-benefit business relationships with customers from,Europe,America and south Asia,supplying obsolete and hard-to-find components to meet their specific needs.

With the principle of “Quality Parts,Customers Priority,Honest Operation,and Considerate Service”,our business mainly focus on the distribution of electronic components. Line cards we deal with include Microchip,ALPS,ROHM,Xilinx,Pulse,ON,Everlight and Freescale. Main products comprise IC,Modules,Potentiometer,IC Socket,Relay,Connector.Our parts cover such applications as commercial,industrial, and automotives areas.

We are looking forward to setting up business relationship with you and hope to provide you with the best service and solution. Let us make a better world for our industry!



Contact us

Tel: +86-755-8981 8866 Fax: +86-755-8427 6832

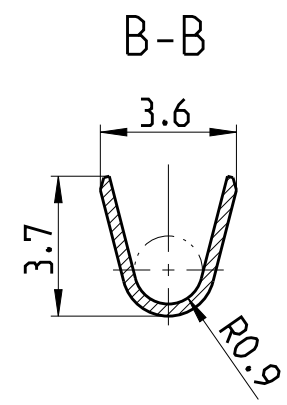
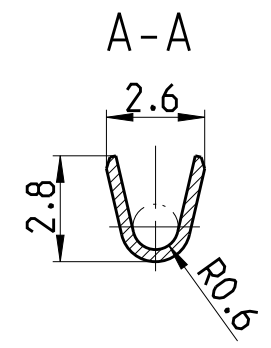
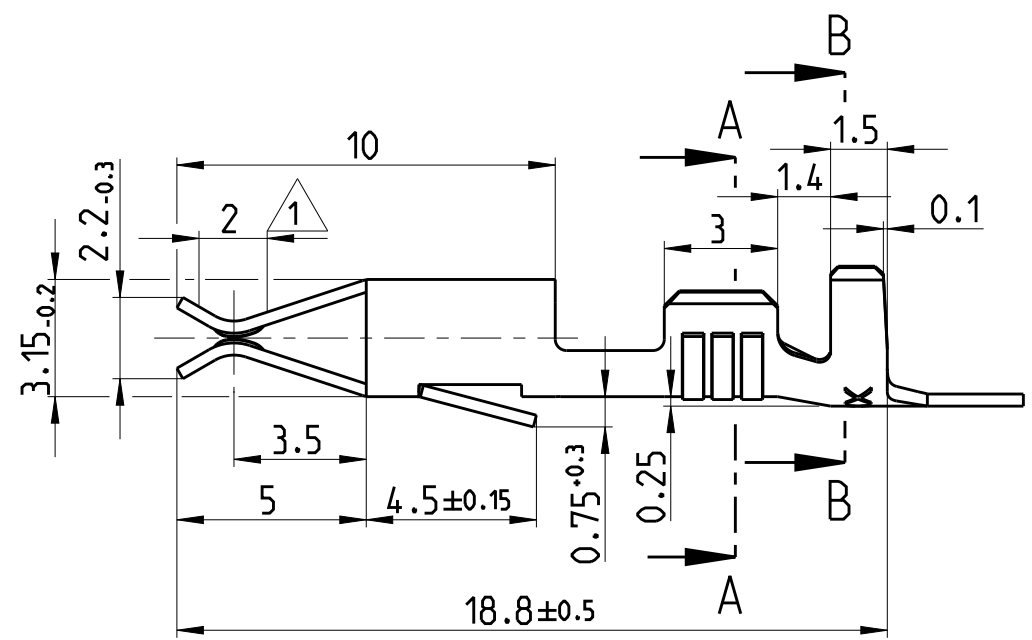
Email & Skype: info@chipsmall.com Web: www.chipsmall.com

Address: A1208, Overseas Decoration Building, #122 Zhenhua RD., Futian, Shenzhen, China

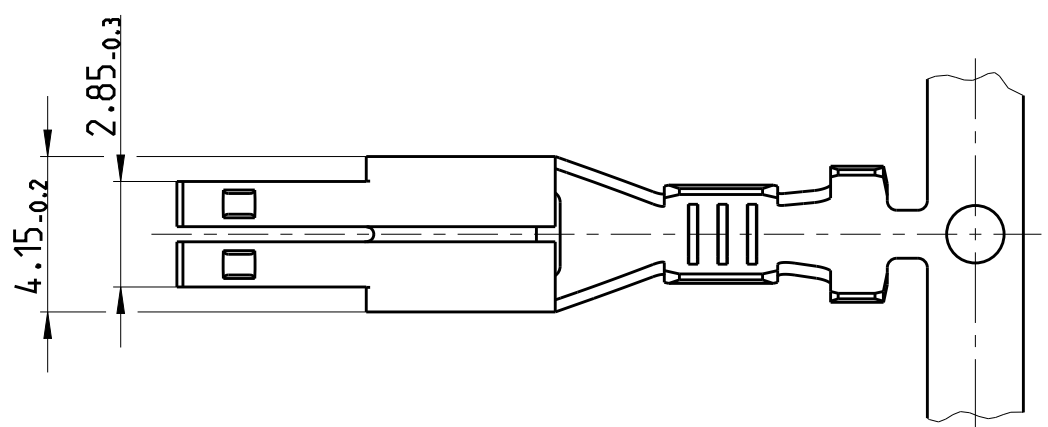


THIS DRAWING IS UNPUBLISHED. RELEASED FOR PUBLICATION 2013
 © COPYRIGHT 2013 Tyco Electronics AMP GmbH ALL RIGHTS RESERVED.

LOC	DIST	REVISIONS					
		P	LTR	DESCRIPTION	DATE	DWN	APVD
A1	-		F2	REVISED BY ECO-11-005294	06APR2011	HMR	-
			F3	New CAD drawing created.	20JUN2013	Kirs.	Eder
			F4	ECR-15-012070	13AUG2015	JB JH	BK



- △1 IN CRIMP AREA TIN PLATED
Im Crimpbereich verzinkt
- △2 CONTACT BODY: PRE SILVER min. 0.8 µm
CONTACT AREA: PRE SILVER min. 3 µm
Kontaktkoerper: vorversilbert min. 0.8 µm
Kontaktzone: vorversilvert min. 3 µm



CONDUCTOR CROSS-SECTION IN mm ² Leitungsquerschnitt in mm ²		SINGLE CONNECTION Einzelanschlag					
		0.35	0.50	0.75	1.00	1.50	2.00
0.35		X	X				
0.50	X	X	X				
0.75	X						
1.00	X						
1.50							
2.00							

WIRE SIZE RANGE: 0.5-1.0mm²
 Drahtgroessenbereich: 0.5-1.0mm²
 CRIMPING CONDUCTOR: FLKY WIRE
 CONDUCTOR: F-CRIMP
 INSULATION: OVERLAPPING CRIMP
 angeschlagener Leiter: FLKY Leitung
 Leiter: F-Crimp
 Isolation: Ueberlappungscrimp

THIS DRAWING IS A CONTROLLED DOCUMENT.	
DIMENSIONS: mm	TOLERANCES UNLESS OTHERWISE SPECIFIED: ±0.2
MATERIAL: -	FINISH: -

DWN	Herth	17 JUL 1984
CHK	Herth	17 JUL 1984
APVD	C. Goepfel	20 JUN 2013
PRODUCT SPEC	-	-
APPLICATION SPEC	-	-
WEIGHT	-	-

STE TE Connectivity

NAME: JUNIOR-TIMER CONTACT
Junior-Timer Kontakt

SIZE	CAGE CODE	DRAWING NO	RESTRICTED TO
A3	00779	C-927845	-

Customer Drawing SCALE 5:1 SHEET 1 OF 1 REV F4