



Chipsmall Limited consists of a professional team with an average of over 10 year of expertise in the distribution of electronic components. Based in Hongkong, we have already established firm and mutual-benefit business relationships with customers from,Europe,America and south Asia,supplying obsolete and hard-to-find components to meet their specific needs.

With the principle of “Quality Parts,Customers Priority,Honest Operation,and Considerate Service”,our business mainly focus on the distribution of electronic components. Line cards we deal with include Microchip,ALPS,ROHM,Xilinx,Pulse,ON,Everlight and Freescale. Main products comprise IC,Modules,Potentiometer,IC Socket,Relay,Connector.Our parts cover such applications as commercial,industrial, and automotives areas.

We are looking forward to setting up business relationship with you and hope to provide you with the best service and solution. Let us make a better world for our industry!



Contact us

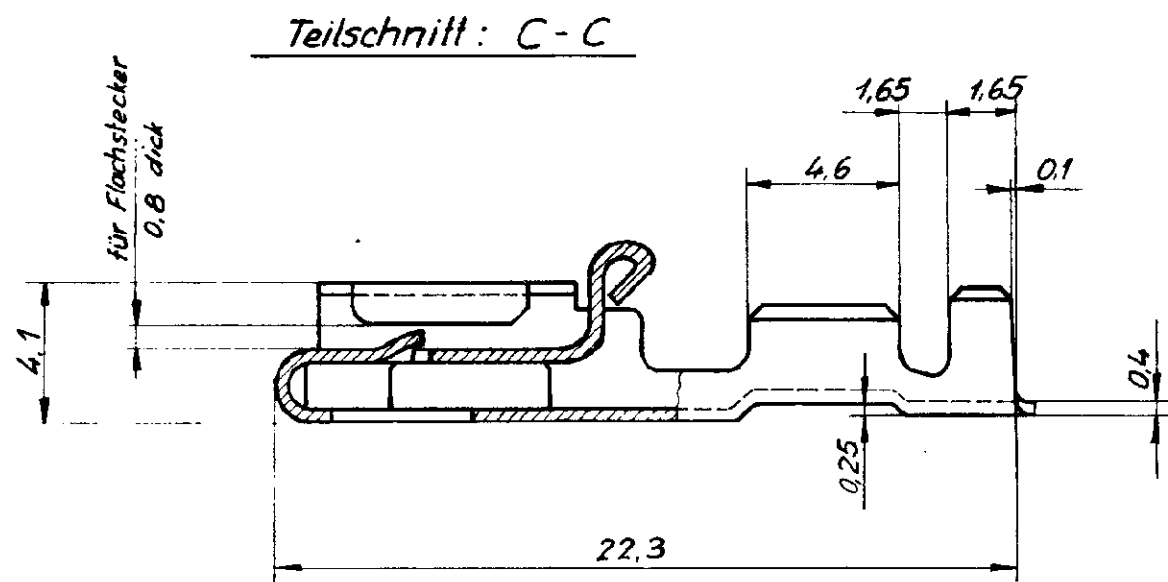
Tel: +86-755-8981 8866 Fax: +86-755-8427 6832

Email & Skype: info@chipsmall.com Web: www.chipsmall.com

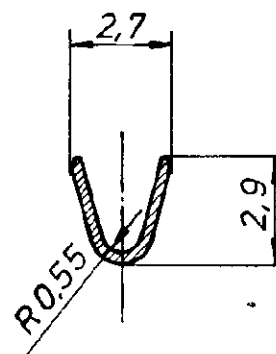
Address: A1208, Overseas Decoration Building, #122 Zhenhua RD., Futian, Shenzhen, China



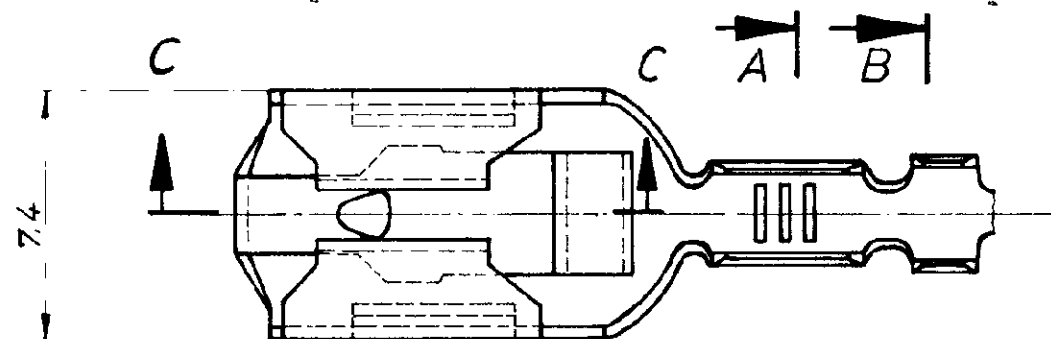
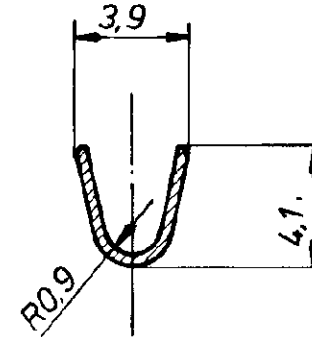
LTR	REVISION RECORD	DATE	Name
G1	REVISED PER ECO-11-005294	13APR11	HMR



Schnitt: A-A



Schnitt: B-B



Drahtgrößenbereich: 0,5 ÷ 1,0 mm²

Alle Bandausführungen sind "SPLICEFREE"

Leitungsquerschnitt in mm ²		CROSS-SECTION IN mm ²						
SINGLE CONNECTION	Einzelanschlag							
		0.35	0.50	0.75	1.00	1.50	2.00	
0.35		x	x					
0.50	x	x	x					
0.75	x							
1.00	x							
1.50								
2.00								

Angeschlagener Leiter: FLK-r Leitung
 Leiter: F-Crimp
 Isolation: Überlappungscrimp

Bestell-Nr für Einzelausführung	Bestell-Nr.	Werkstoff	Oberfläche
927 853-9	927 852-9	CuZn 30	versilbert
- 8	- 8	CuSn 4	versilbert
- 7	- 7	CuSn 4	vorverzinkt
- 6	- 6	CuZn 30	vorverzinkt
- 4	- 4	CuSn 4	verzinkt
- 3	- 3	CuZn 30	verzinkt
- 2	- 2	CuSn 4	blank
927 853-1	927 852-1	CuZn 30	blank
Gez 16.7.84 Widder	Gepr 16.7.84 Heck	Gepr.	

STE TE Connectivity

Benennung: **POSITIVE LOCK - Steckhülse**

Format: **B** Zeichnungs-Nr: **927852** Blatt-Nr: **G1**

Nicht tolerierte Maße: ± 0,2 mm

Maßstab: **5:1**

K

WAR 883-9046-2