



Chipsmall Limited consists of a professional team with an average of over 10 year of expertise in the distribution of electronic components. Based in Hongkong, we have already established firm and mutual-benefit business relationships with customers from,Europe,America and south Asia,supplying obsolete and hard-to-find components to meet their specific needs.

With the principle of “Quality Parts,Customers Priority,Honest Operation,and Considerate Service”,our business mainly focus on the distribution of electronic components. Line cards we deal with include Microchip,ALPS,ROHM,Xilinx,Pulse,ON,Everlight and Freescale. Main products comprise IC,Modules,Potentiometer,IC Socket,Relay,Connector.Our parts cover such applications as commercial,industrial, and automotives areas.

We are looking forward to setting up business relationship with you and hope to provide you with the best service and solution. Let us make a better world for our industry!



## Contact us

Tel: +86-755-8981 8866 Fax: +86-755-8427 6832

Email & Skype: info@chipsmall.com Web: www.chipsmall.com

Address: A1208, Overseas Decoration Building, #122 Zhenhua RD., Futian, Shenzhen, China



A

B

C

D

A

B

C

D

PRODUCT NO. *92789-XXXX	STAND OFF DIM "M"(mm)	HDR SOLDER TAIL	HOLD DOWN	Q'TY	GUIDE ASSY 92791-XXXX	HDR ASSY 92140-XXXX	DIM "P" (mm)	HDR COLOR	SHEET NO.	MOUNT STYLE TO PCB
000	0	R/A	NONE		001	000	2.8	BLACK	NO.2	TOP MOUNT  92789-0XXX 
000H	0	R/A	93925-001	4	001H	000H	2.8	BLACK		
001	0	SMT STAGGERED	NONE		001	001	—#	BLACK		
001H	0	SMT STAGGERED	93925-001	4	001H	001H	—#	BLACK		
002	0	SMT IN LINE	NONE		001	002	—#	BLACK		
002H	0	SMT IN LINE	93925-001	4	001H	002H	—#	BLACK		
020	2 (NO LOCATOR)	R/A	NONE		021	040	2.5	BLACK	NO.3	
040	4	R/A	NONE		041	010	2.8	BLACK		
040H	4	R/A	93925-003	4	041H	010H	2.8	BLACK		
050	5	R/A	NONE		051	020	2.8	BLACK		
050H	5	R/A	93925-004	4	051H	020H	2.8	BLACK	NO.4	BOTTOM MOUNT  92789-5XXX 
500	0	R/A	NONE		001	500	2.8	NATURAL		
500H	0	R/A	93925-001	4	001H	500H	2.8	NATURAL		
501	0	SMT STAGGERED	NONE		001	501	—#	NATURAL		
501H	0	SMT STAGGERED	93925-001	4	001H	501H	—#	NATURAL		
502	0	SMT IN LINE	NONE		001	502	—#	NATURAL		
502H	0	SMT IN LINE	93925-001	4	001H	502H	—#	NATURAL	NO.5	
520	2 (NO LOCATOR)	R/A	NONE		021	540	2.5	NATURAL		
540	4	R/A	NONE		041	510	2.8	NATURAL		
550	5	R/A	NONE		051	520	2.8	NATURAL		
550H	5	R/A	93925-004	4	051	520H	2.8	NATURAL		

NOTE  
 ① OPTIONAL HOLD DOWN (-XXXH) CAN BE SELECTED FOR ONLY 0mm STAND OFF (-XXXH) VARIATION.  
 ② SMT STAGGERED & IN LINE (-XX1X & -XX2X) ARE ASSIGNED TO ONLY 0mm STAND OFF (-X0XX) VARIATION.

3. ASSY PROCESS  
 3.1 TO MOUNT PART ④, ON PWB WITH SCREW (S1,S2) AND SOLDER.  
 3.2 TO JOINT PART ④, INTO PART ④, THEN FIX PART ④ WITH 2 SCREWS (S3,S4).  
 ④ MATERIAL

4.1 PART ④, (HEADER ASSY)  
 HOUSING : HIGH TEMPERATURE THERMOPLASTIC UL94V-0  
 PIN : COPPER ALLOY  
 HOLD DOWN : COPPER ALLOY

4.2 PART ④, (GUIDE ASSY)  
 GUIDE : HIGH TEMPERATURE THERMOPLASTIC UL94V-0  
 PLATE : STAINLESS  
 EMI CONTACT : COPPER ALLOY  
 HOLD DOWN : COPPER ALLOY

⑤ FINISH  
 HDR PIN : \*0.5μm MIN. Ni OVER ALL UNDER PLATING  
 \*0.076μm MIN. Au MIN. AT CONTACT AREA  
 \*2.5μm MIN. Sn-Pb SOLDER TAIL  
 OR 2.5μm MIN. Sn (FOR -XXXXLF) SOLDER TAIL  
 EMI CONTACT : PRE-PLATING  
 \*0.5μm MIN. Ni OVER ALL UNDER PLATING  
 \*0.5μm MIN. Au CONTACT AREA.  
 HOLD DOWN : 2.5μm MIN. Sn OVER ALL.

6. DIM"L"

4.25±0.1	3.5±0.1	5.0±0.1
OTHERS	36.67	117.34 36.31.68

7. GENERAL TOLERANCE : ±0.3  
 8. SEE SHEET 1,2. REGARDING COMPONENTS.  
 9. THIS PRODUCT MEETS EUROPEAN UNION DIRECTIVES AND OTHER COUNTRY REGULATIONS AS DESCRIBED IN GS-22-008.  
 10. PRODUCT SPEC: 110-263



\* 92789-X X X X X X X X

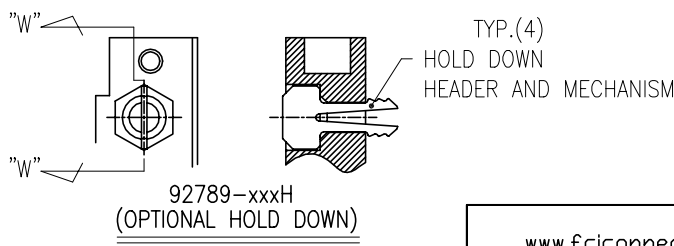
NOTE ①  
OPTIONAL LEAD FREE  
NONE : N □  
LF : YES

NOTE ②  
OPTIONAL HOLD DOWN  
NONE : N □  
H : YES(SEE FIGURE OF -XXXH)

NOTE ③  
HDR SOLDER TAIL  
0 : R/A  
1 : SMT STAGGERED  
2 : SMT IN LINE

STAND OFF HEIGHT (DIM"M")  
0 : 0mm(NONE)  
2 : 2mm  
4 : 4mm  
5 : 5mm

MOUNT STYLE TO PCB  
0 : TOP MOUNT  
5 : BOTTOM MOUNT



rev	ecn no	dr	date
J	J05-0215	MH	4/11/05
K	N05-0128	WB J	05/19/05
L	N07-0114	CM	05/14/07
M	N09-0381	SH	11/30/09
N	ELX-N-011350	ZK	04/06/12

www.fciconnect.com		surface	tolerance std	projection	MM
		TOLERANCES UNLESS OTHERWISE SPECIFIED			
Dr	M.Hasegawa 4/11/05	ANGULAR	0.X ± 0.3	size	Scale
Eng	M.Hasegawa 4/11/05	LINEAR	0.XX ± 0.15	ECN	
Chr		0' ± 2'	0.XXX ± 0.08	Spec ref	
Appr		Product family	Header PCMCIA SANF		
FCI		title	68P LONG HEADER TYPE I / II / III (WITH EMI CLIP)		Rev. N
		catalog no	CUSTOMER DRAWING		sheet 1 of 7
		dwg no	92789		

PRODUCT NO. 92789-XXXX	STAND OFF DIM "M"(mm)	HDR SOLDER TAIL	HOLD DOWN		GUIDE ASSY 92791-XXXX	HDR ASSY 92140-XXXX	DIM "P" (mm)	HDR COLOR	SHEET NO.	MOUNT STYLE TO PCB
			Q'TY							
000LF	0	R/A	NONE		001LF	000	2.8	BLACK	NO.2	TOP MOUNT  92789-0XXX  
000HLF	0	R/A	YES	4	001HLF	000H	2.8	BLACK		
001	0	SMT STAGGERED	NONE		001	001	—	BLACK		
001H	0	SMT STAGGERED	YES	4	001H	001H	—	BLACK		
002LF	0	SMT IN LINE	NONE		001	002	—	BLACK		
002H	0	SMT IN LINE	YES	4	001H	002H	—	BLACK		
020LF	2 (NO LOCATOR)	R/A	NONE		021LF	040	2.5	BLACK	NO.3	
040LF	4	R/A	NONE		041LF	010	2.8	BLACK		
040HLF	4	R/A	YES	4	041HLF	010H	2.8	BLACK		
050LF	5	R/A	NONE		051LF	020	2.8	BLACK		
050HLF	5	R/A	YES	4	051HLF	020H	2.8	BLACK		
055LF	5	R/A	YES	2	051MH	021MLF	2.8	BLACK		
500LF	0	R/A	NONE		001LF	500	2.8	NATURAL	NO.4	BOTTOM MOUNT  92789-5XXX  
500HLF	0	R/A	YES	4	001HLF	500H	2.8	NATURAL		
501	0	SMT STAGGERED	NONE		001	501	—	NATURAL		
501H	0	SMT STAGGERED	YES	4	001H	501H	—	NATURAL		
502	0	SMT IN LINE	NONE		001	502	—	NATURAL		
502H	0	SMT IN LINE	YES	4	001H	502H	—	NATURAL		
520LF	2 (NO LOCATOR)	R/A	NONE		021LF	540LF	2.5	NATURAL	NO.5	
540LF	4	R/A	NONE		041LF	510LF	2.8	NATURAL		
550LF	5	R/A	NONE		051LF	520LF	2.8	NATURAL		
550HLF	5	R/A	YES	4	051LF	520HLF	2.8	NATURAL		
540HLF	4	R/A	YES	4	041HLF	510HLF	2.8	NATURAL		

NOTE  
 ① OPTIONAL HOLD DOWN (-XXXH) CAN BE SELECTED FOR ONLY 0mm STAND OFF (-XXH) VARIATION.  
 ② SMT STAGGERED & IN LINE (-XX1X & -XX2X) ARE ASSIGNED TO ONLY 0mm STAND OFF (-X0XX) VARIATION.

3. ASSY PROCESS  
 3.1 TO MOUNT PART ④ ON PWB WITH SCREW (S1,S2) AND SOLDER.  
 3.2 TO JOINT PART ④ INTO PART ④, THEN FIX PART ④ WITH 2 SCREWS (S3,S4).

④ MATERIAL  
 4.1 PART ④ (HEADER ASSY)  
 HOUSING : HIGH TEMPERATURE THERMOPLASTIC UL94V-0  
 PIN : COPPER ALLOY  
 HOLD DOWN : COPPER ALLOY  
 4.2 PART ④ (GUIDE ASSY)  
 GUIDE : HIGH TEMPERATURE THERMOPLASTIC UL94V-0  
 PLATE  
 EMI CONTACT : COPPER ALLOY  
 HOLD DOWN : COPPER ALLOY

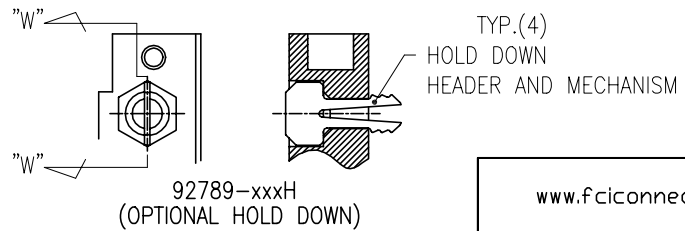
⑤ FINISH  
 HDR PIN : \*0.5μm MIN. Ni OVER ALL UNDER PLATING  
 \*0.076μm MIN. Au AT CONTACT AREA  
 \*2.5μm MIN. Sn-Pb SOLDER TAIL  
 OR 2.5μm MIN. Sn (FOR -XXXXLF) SOLDER TAIL  
 EMI CONTACT : PRE-PLATING  
 \*0.5μm MIN. Ni OVER ALL UNDER PLATING  
 \*0.5μm MIN. Au CONTACT AREA.  
 HOLD DOWN : 2.5μm MIN. Sn OVER ALL.

6. DIM"L"

4.25±0.1	3.5±0.1	5.0±0.1
OTHERS	36.67	35.51.88

7. GENERAL TOLERANCE : ±0.3  
 8. SEE SHEET 1,2. REGARDING COMPONENTS.  
 9. THIS PRODUCT MEETS EUROPEAN UNION DIRECTIVES AND OTHER COUNTRY REGULATIONS AS DESCRIBED IN GS-22-008.  
 10. PRODUCT SPEC: 110-263

92789-X X X X X X X X  
 NOTE ①  
 OPTIONAL LEAD FREE  
 NONE : N □  
 LF : YES  
 NOTE ②  
 OPTIONAL HOLD DOWN  
 NONE : N □  
 H : YES(SEE FIGURE OF -XXXH)  
 NOTE ③  
 HDR SOLDER TAIL  
 0 : R/A  
 1 : SMT STAGGERED  
 2 : SMT IN LINE  
 STAND OFF HEIGHT (DIM"M")  
 0 : 0mm(NONE)  
 2 : 2mm  
 4 : 4mm  
 5 : 5mm  
 MOUNT STYLE TO PCB  
 0 : TOP MOUNT  
 5 : BOTTOM MOUNT



rev	ecn no	dr	date
N			

www.fciconnect.com		surface	tolerance std	projection	MM
		TOLERANCES UNLESS OTHERWISE SPECIFIED			
Dr	M.Hasegawa/11/05	ANGULAR	LINEAR	size	Scale
Eng	M.Hasegawa/11/05	0.X ±	0.XX ±		
Chr		0* ±	0.XXX ±	ECN	
Appr		Product family		Header PCMCIA SANF	Spec ref
FCI		title		68P LONG HEADER TYPE I / II / III (WITH EMI CLIP)	Rev. N
		catalog no		CUSTOMER DRAWING	dwg no 92789
					sheet 2 of 7



Copyright FCI.

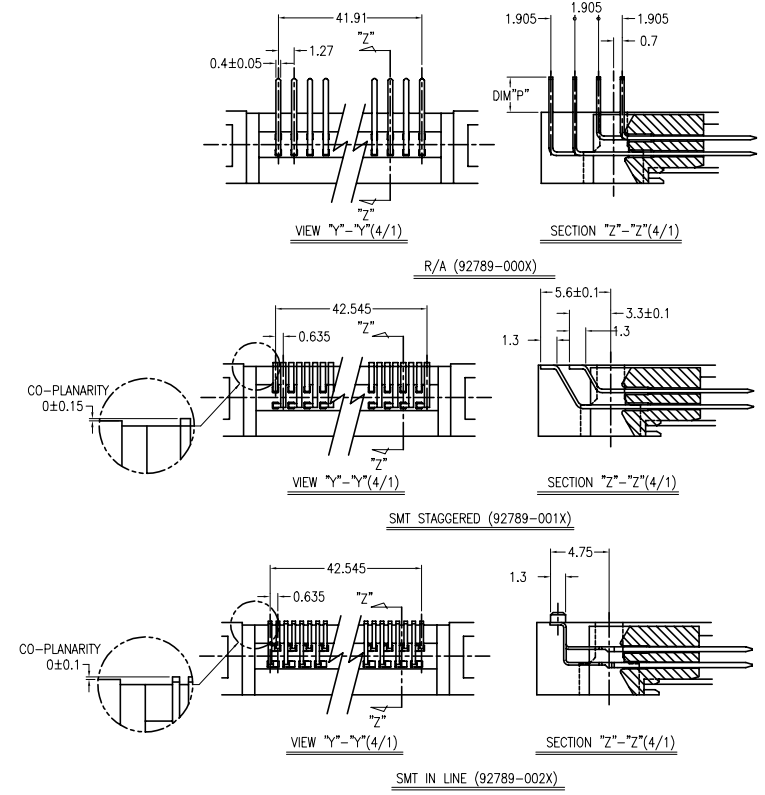
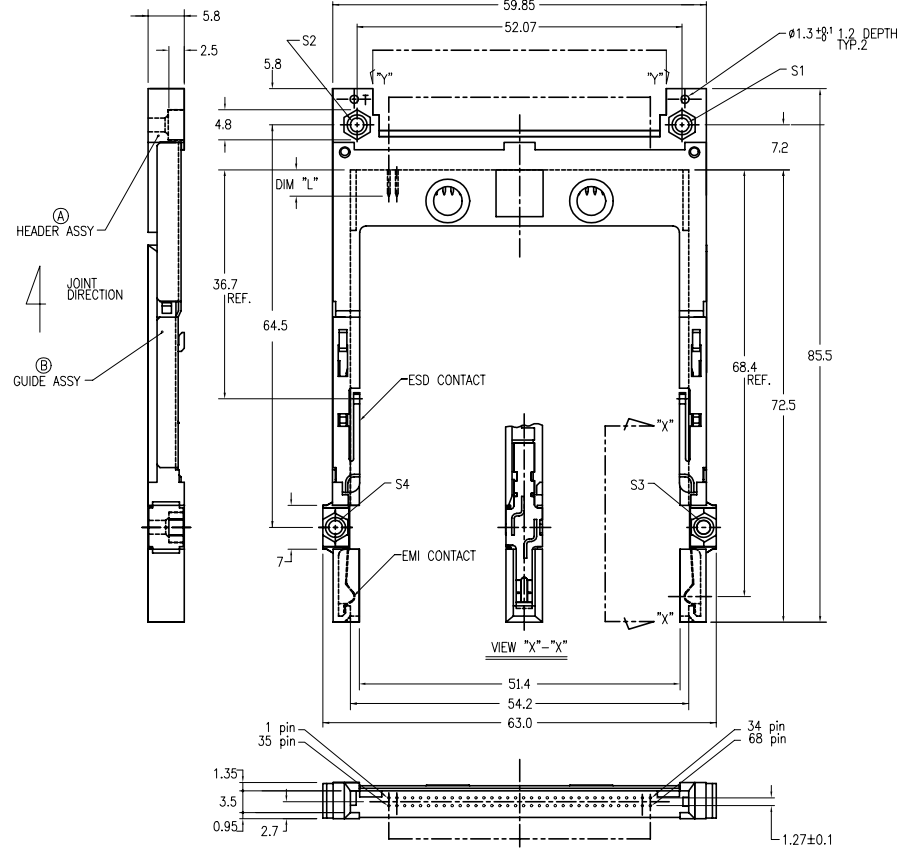
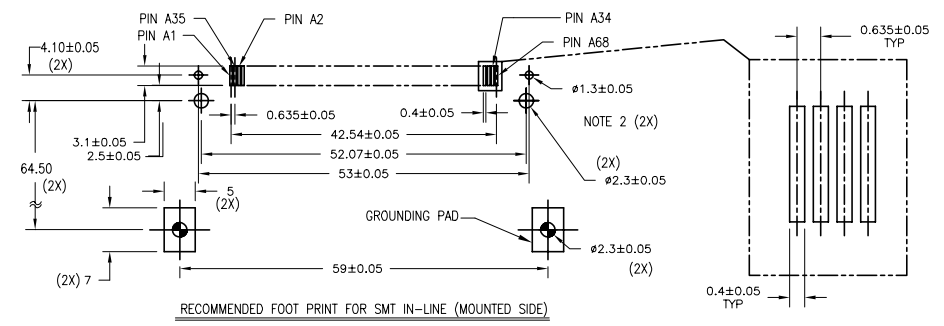
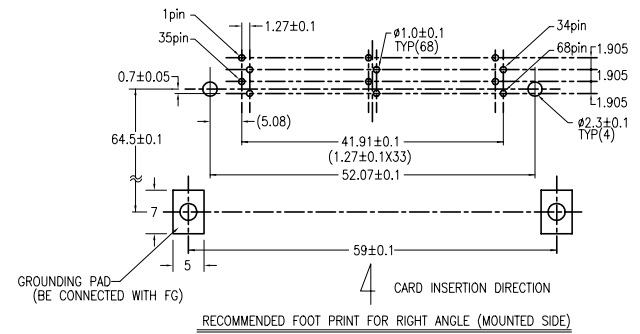
1

2

3

4

PRODUCT NO.
92789-000/000LF
92789-000H/000HLF
92789-001
92789-001H
92789-002/002LF
92789-002H



Copyright FCI

rev	ecn no	dr	date
N			

www.fciconnect.com		surface <input checked="" type="checkbox"/>	tolerance std	projection	MM
TOLERANCES UNLESS OTHERWISE SPECIFIED					
Dr	M.Hasegawa/11/05	ANGULAR	0.X ±	size	Scale
Eng	M.Hasegawa/11/05	LINEAR	0.XX ±	ECN	
Chr		0 ±	0.XXX ±	Spec ref	
Appr		Product family Header PCMCIA SANF			
title		68P LONG HEADER TYPE I / II / III (WITH EMI CLIP)		dwg no	92789
catalog no		CUSTOMER DRAWING			Rev. N
					sheet 3 of 7

3

PDS: Rev :N

STATUS:Released

Printed: Sep 12, 2013

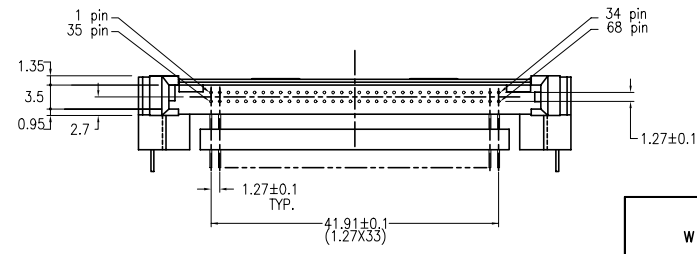
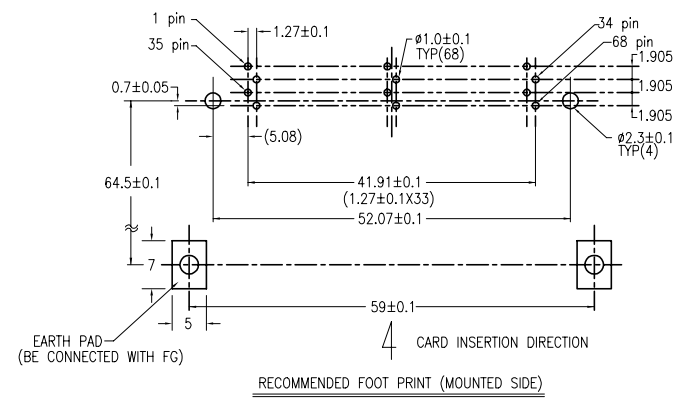
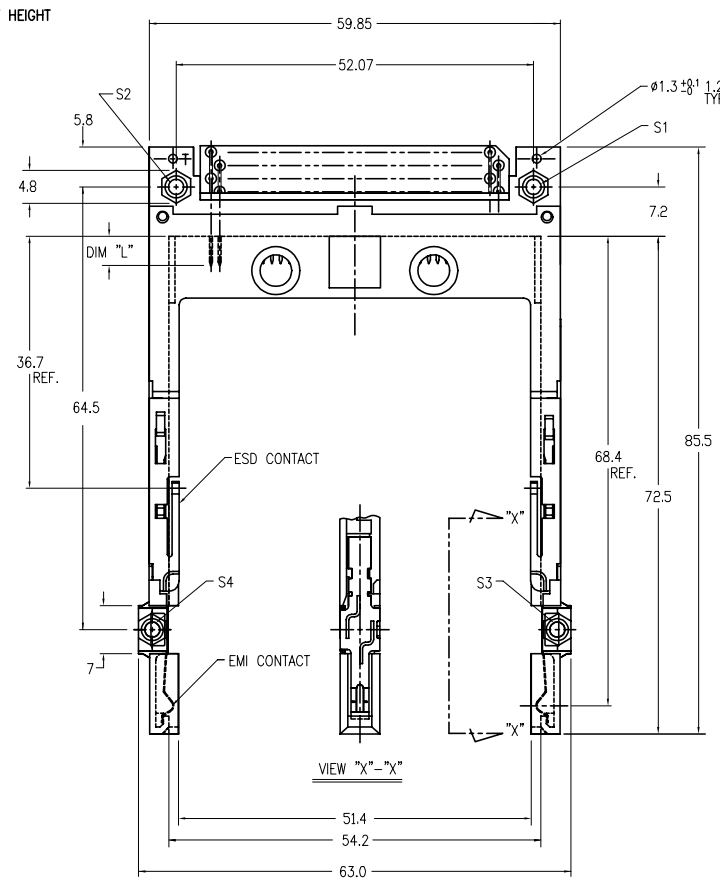
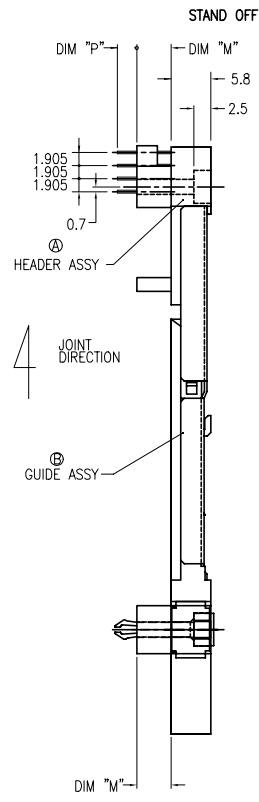
1

2

3

4

PRODUCT NO.
92789-020/020LF
92789-040/040LF
92789-040H/040HLF
92789-050/050LF
92789-050H/050HLF



Copyright FCI

rev	ecn no	dr	date
N			

www.fciconnect.com		surface	tolerance std	projection	MM
		TOLERANCES UNLESS OTHERWISE SPECIFIED			Scale
Dr	M.Hasegawa/11/05	ANGULAR	0.X ±	size	Scale
Eng	M.Hasegawa/11/05	LINEAR	0.XX ±	ECN	
Chr		0* ±	0.XXX ±	Spec ref	
Appr		Product family Header PCMCIA SANF			
		title 68P LONG HEADER TYPE I / II / III (WITH EMI CLIP)		dwg no 92789	Rev. N
		catalog no CUSTOMER DRAWING		sheet 4 of 7	

3

PDS: Rev :N

STATUS:Released

Printed: Sep 12, 2013

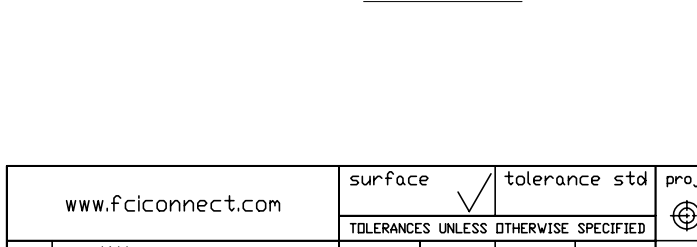
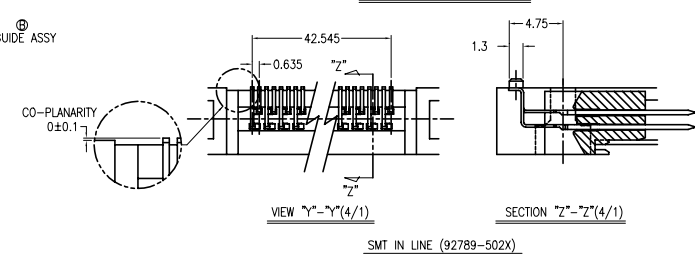
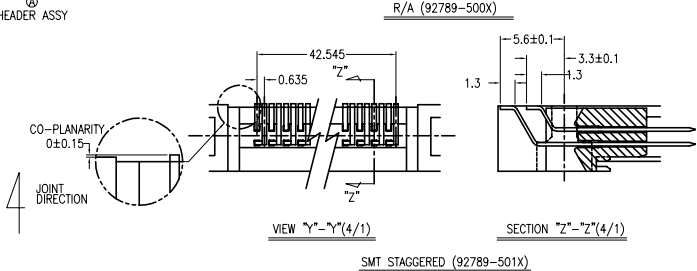
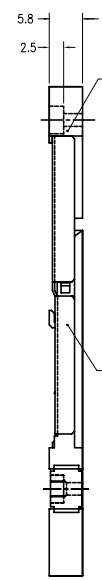
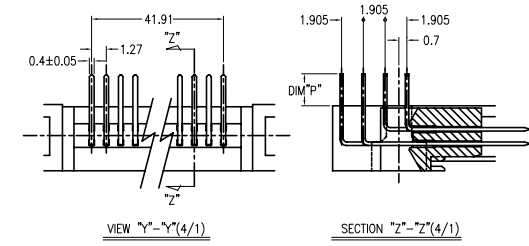
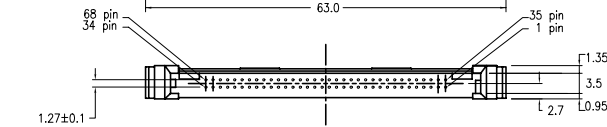
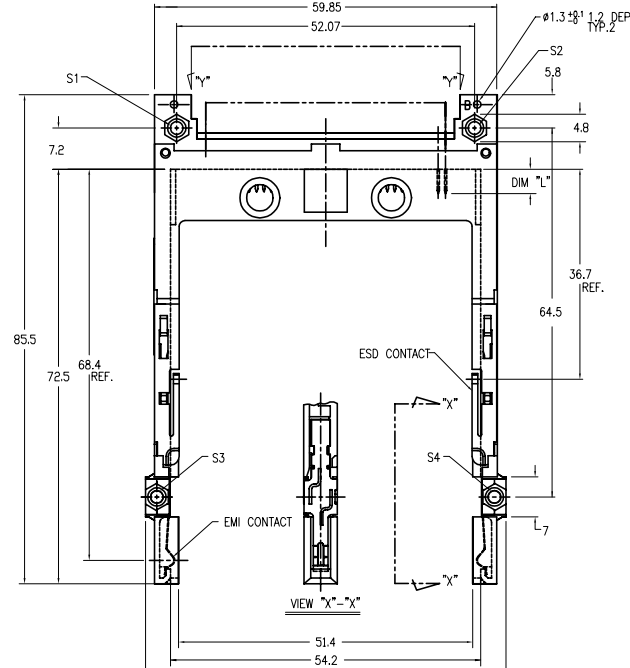
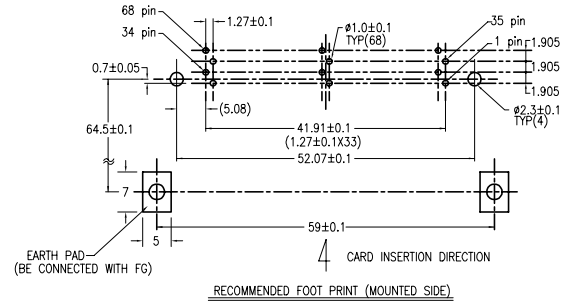
1

2

3

4

PRODUCT NO.
92789-500/500LF
92789-500H/500HLF
92789-501
92789-501H
92789-502
92789-502H



Copyright FCI

rev	ecn no	dr	date
N			

www.fciconnect.com		surface <input checked="" type="checkbox"/>	tolerance std	projection	MM
		TOLERANCES UNLESS OTHERWISE SPECIFIED			Scale
Dr	M.Hasegawa/11/05	ANGULAR	0.X ±	size	Scale
Eng	M.Hasegawa/11/05	LINEAR	0.XX ±	ECN	
Chr		0 ±	0.XXX ±	Spec ref	
Appr		Product family Header PCMCIA SANF			
		title 68P LONG HEADER TYPE I / II / III (WITH EMI CLIP)		dwg no 92789	Rev. N
		catalog no CUSTOMER DRAWING		sheet 5 of 7	

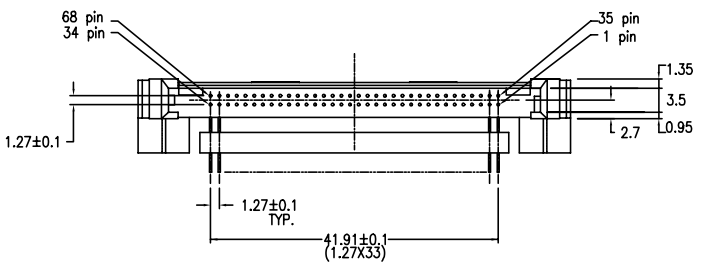
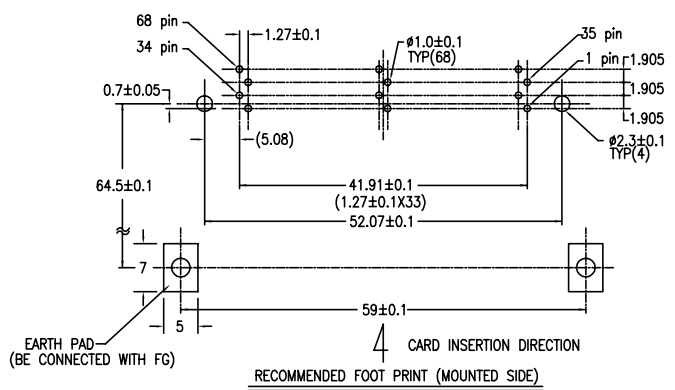
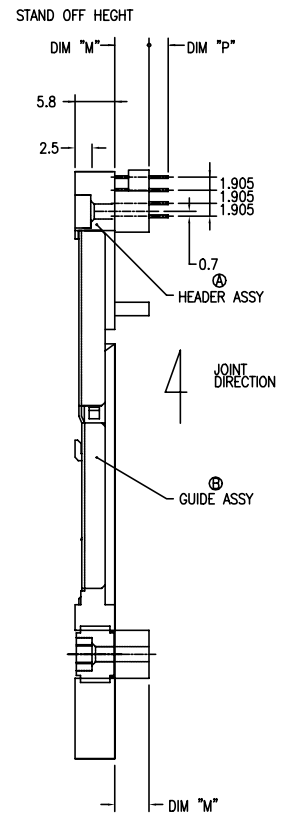
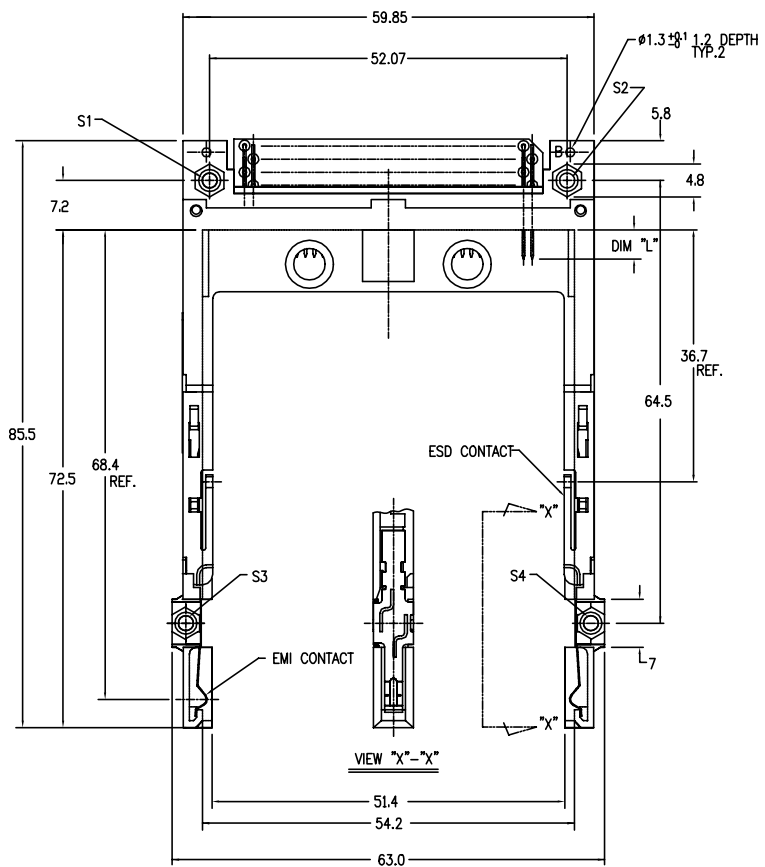
3

PDS: Rev :N

STATUS:Released

Printed: Sep 12, 2013

PRODUCT NO.	
92789-520/520LF	△
92789-540/540LF/540HLF	△
92789-550/550LF	△
92789-550H/550HLF	△



Copyright FCI

rev	ecn no	dr	date
N			

www.fciconnect.com		surface <input checked="" type="checkbox"/>	tolerance std	projection	MM
		TOLERANCES UNLESS OTHERWISE SPECIFIED			
Dr	M.Hasegawa/11/05	ANGULAR	0.X ±	size	Scale
Eng	M.Hasegawa/11/05	LINEAR	0.XX ±	ECN	
Chr		0* ±	0.XXX ±	Spec ref	
Appr		Product family Header PCMCIA SANF			
		title 68P LONG HEADER TYPE I / II / III (WITH EMI CLIP)		dwg no 92789	Rev. N
		catalog no CUSTOMER DRAWING		sheet 6 of 7	

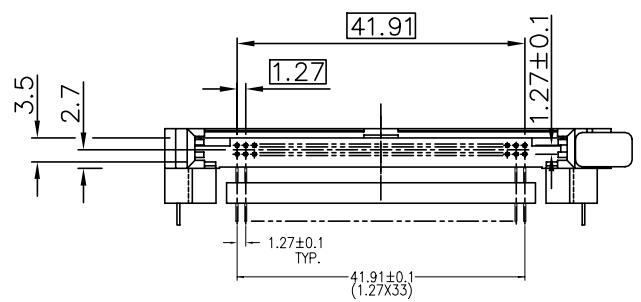
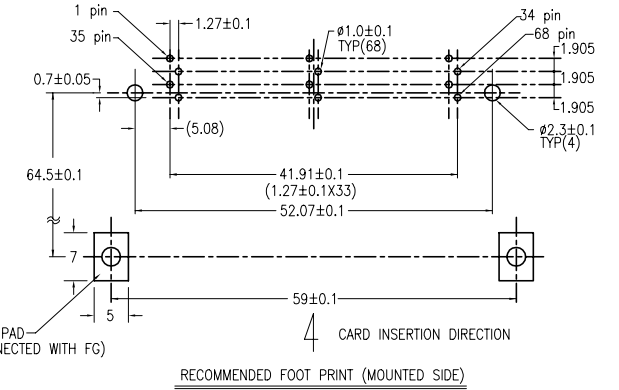
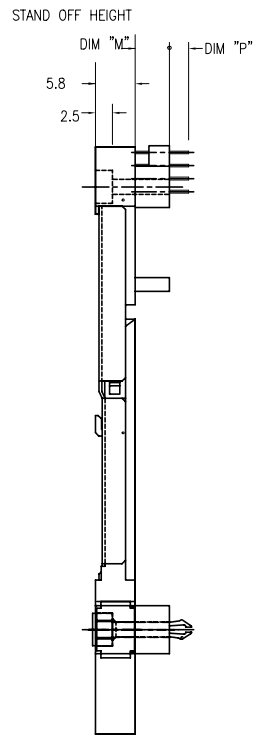
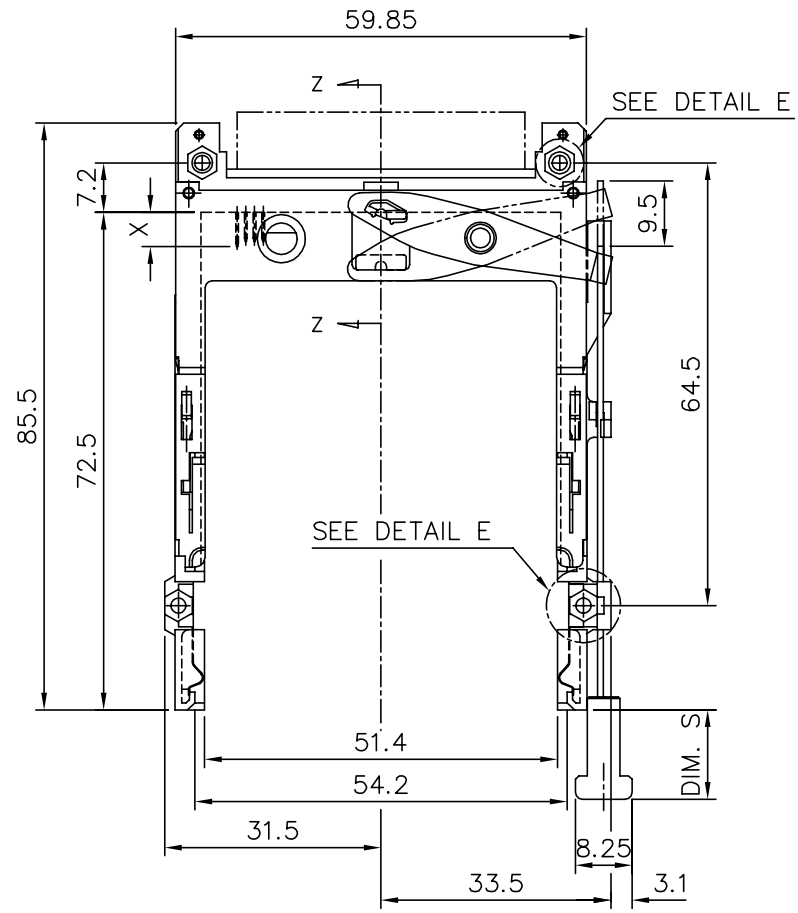
1

2

3

4

PRODUCT NO.  
92789-055CALF



Copyright FCI.

rev	ecn no	dr	date
N			

www.fciconnect.com		surface	tolerance std	projection	MM
		TOLERANCES UNLESS OTHERWISE SPECIFIED			Scale
Dr	M.Hasegawa/11/05	ANGULAR	0.X ±	size	Scale
Eng	M.Hasegawa/11/05	LINEAR	0.XX ±	ECN	
Chr		0 ±	0.XXX ±	Spec ref	
Appr		Product family Header PCMCIA SANF			
FCI		title 68P LONG HEADER TYPE I / II / III (WITH EMI CLIP)		dwg no 92789	Rev. N
		catalog no CUSTOMER DRAWING		sheet 7 of 7	