



Chipsmall Limited consists of a professional team with an average of over 10 year of expertise in the distribution of electronic components. Based in Hongkong, we have already established firm and mutual-benefit business relationships with customers from,Europe,America and south Asia,supplying obsolete and hard-to-find components to meet their specific needs.

With the principle of “Quality Parts,Customers Priority,Honest Operation,and Considerate Service”,our business mainly focus on the distribution of electronic components. Line cards we deal with include Microchip,ALPS,ROHM,Xilinx,Pulse,ON,Everlight and Freescale. Main products comprise IC,Modules,Potentiometer,IC Socket,Relay,Connector.Our parts cover such applications as commercial,industrial, and automotives areas.

We are looking forward to setting up business relationship with you and hope to provide you with the best service and solution. Let us make a better world for our industry!



Contact us

Tel: +86-755-8981 8866 Fax: +86-755-8427 6832

Email & Skype: info@chipsmall.com Web: www.chipsmall.com

Address: A1208, Overseas Decoration Building, #122 Zhenhua RD., Futian, Shenzhen, China



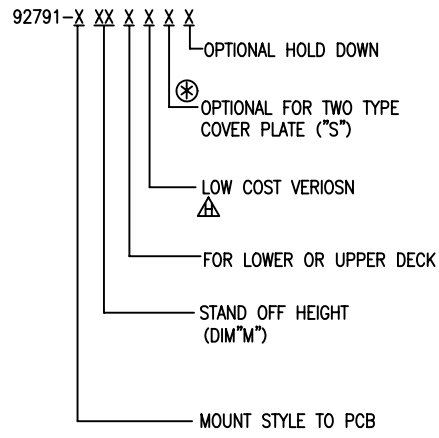
FCI CONFIDENTIAL



This document is the property of and embodies CONFIDENTIAL and PROPRIETARY information of FCI. No part of the information shown on this document may be used in any way or disclosed to others without the written consent of FCI. Copyright FCI.

PRODUCT NO.
SEE TABLE

PRODUCT NO.	STAND OFF DIM "M"(mm)	HOLD DOWN
92791-XXXX		
001	0	NONE
001MLF	0	NONE
△ 001LF	0	NONE
001H	0	YES
△ 001HLF	0	YES
011	0	NONE
021	2	NONE
△ 021LF	2	NONE
041	4	NONE
△ 041LF	4	NONE
△ 041H	4	YES
△ 041HLF	4	YES
051	5	NONE
△ 051M	5	NONE
△ 051LF	5	NONE
△ 051H	5	YES
△ 051HLF	5	YES
△ 052 ⊕	5	NONE
053M	5	NONE
△ 022LF	2.2	NONE
△ 022	2.2	NONE
△ 043LF	4.3	NONE
△ 043	4.3	NONE



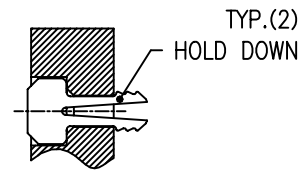
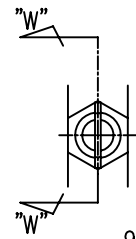
NONE : N O
H : YES(SEE FIGURE OF -XXXH)
NONE "S": 93328-001 (EXCEPT 92791-052)
S (P/N WITH "S"): 72228-003

NONE : N O
M: YES

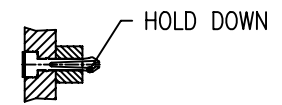
1 : AVAILABLE FOR BOTH DECKS
NONE : NOT AVAILABLE FOR BOTH DECKS

0 : 0mm(NONE)
2 : 2mm 22: 2.2mm
4 : 4mm 43: 4.3mm
5 : 5mm

0 : AVAILABLE FOR BOTH MOUNT



92791-xxxH
(OPTIONAL HOLD DOWN)



ONLY FOR 92791-053M

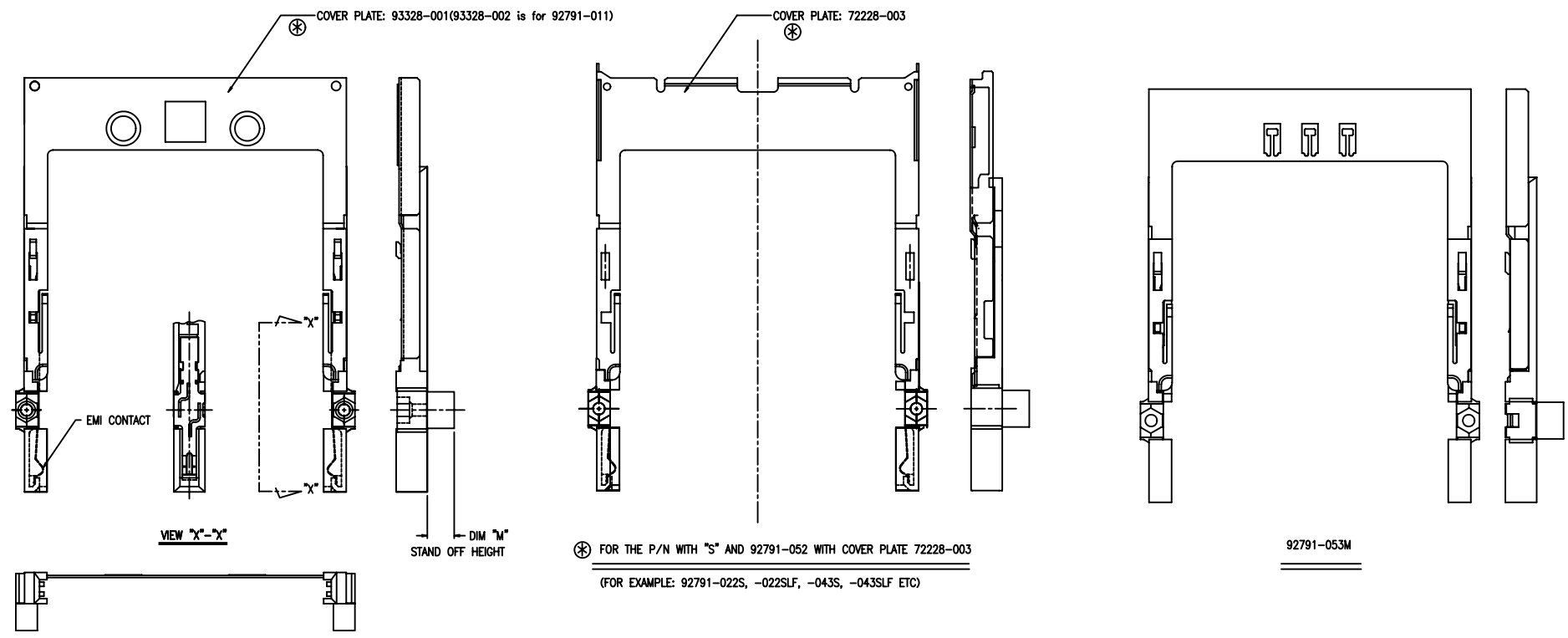
mat'l. code				surface ISO 1302		tolerance ISO 406 ISO 1101		projection MM		product family PCMCIA			
ltr ecn no dr date				tolerances unless otherwise specified				title					
H N06-0065 MZ 03/22'08				angles linear				68P LONG HEADER TYPE I/II /III GUIDE ASSY					
J N06-0129 MZ 05/10'06				±2'				scale 4					
K N07-0109 DT 4/25/07				dr		Mike Zhou 05/10/06		dwg no sheet 1of 2 size					
L N07-0219 MZ 1/7'08				enr		Mike Zhou 05/10/06		92791 A 4					
M N08-0219 MZ 11/20'08				chr		Mike Zhou 05/10/06		type CUSTOMER Drawing					
				appd		Qtn David 05/10/06							
sheet index		revision sheet		M M									
		1 2											

FCI CONFIDENTIAL



This document is the property of and embodies CONFIDENTIAL and PROPRIETARY information of FCI. No part of the information shown on this document may be used in any way or disclosed to others without the written consent of FCI. Copyright FCI.

PRODUCT NO.
92791-001
92791-001LF
92791-001H
92791-001HLF
92791-021
92791-021LF
92791-041
92791-041LF
92791-041H
92791-041HLF
92791-051
92791-051M
92791-051LF
92791-051H
92791-051HLF
92791-052
92791-022
92791-022LF
92791-043
92791-043LF
92791-011
92791-001M
92791-053M



NOTE

① MATERIAL
 GUIDE : POLYPHTHARAMID UL94V-0 BLACK
 PLATE : STAINLESS
 EMI CONTACT : PHOSPHOR BRONZE
 HOLD DOWN : BRASS

② FINISH
 EMI CONTACT : PRE-PLATING
 0.5 μ m MIN. Ni OVER ALL UNDER PLATING
 0.5 μ m MIN. Au CONTACT AREA

⚠ 3 "M" SHOWS IT IS LOW COST VERSION, IT IS OPTIONAL AND IN FIRST OF LETTER OF PART NO., SUCH AS 92791-051M IS LOW COST VERSION
 DETAIL AS COMPONENT INFORMATION, 92791-051 IS NOT LOW COST VERSION.

4. GENERAL TOLERANCE : ± 0.3

mat'l. code		surface	tolerance	projection	product family
		ISO 1302	ISO 406 ISO 1101		PCMCIA
ltr	ecm no	dr	date	tolerances unless otherwise specified	
M				title	
				68P LONG HEADER TYPE I / II / III	
				GUIDE ASSY	
				scale 4	
		dr	Mike Zhou	05/10/06	dwg no
		enr	Mike Zhou	05/10/06	
		chr	Mike Zhou	05/10/06	
		appd	Qin David	05/10/06	
sheet	revision				sheet 2 of 2 size
index	sheet				92791 A 4
					type CUSTOMER Drawing