



Chipsmall Limited consists of a professional team with an average of over 10 year of expertise in the distribution of electronic components. Based in Hongkong, we have already established firm and mutual-benefit business relationships with customers from,Europe,America and south Asia,supplying obsolete and hard-to-find components to meet their specific needs.

With the principle of "Quality Parts,Customers Priority,Honest Operation,and Considerate Service",our business mainly focus on the distribution of electronic components. Line cards we deal with include Microchip,ALPS,ROHM,Xilinx,Pulse,ON,Everlight and Freescale. Main products comprise IC,Modules,Potentiometer,IC Socket,Relay,Connector.Our parts cover such applications as commercial,industrial, and automotives areas.

We are looking forward to setting up business relationship with you and hope to provide you with the best service and solution. Let us make a better world for our industry!



Contact us

Tel: +86-755-8981 8866 Fax: +86-755-8427 6832

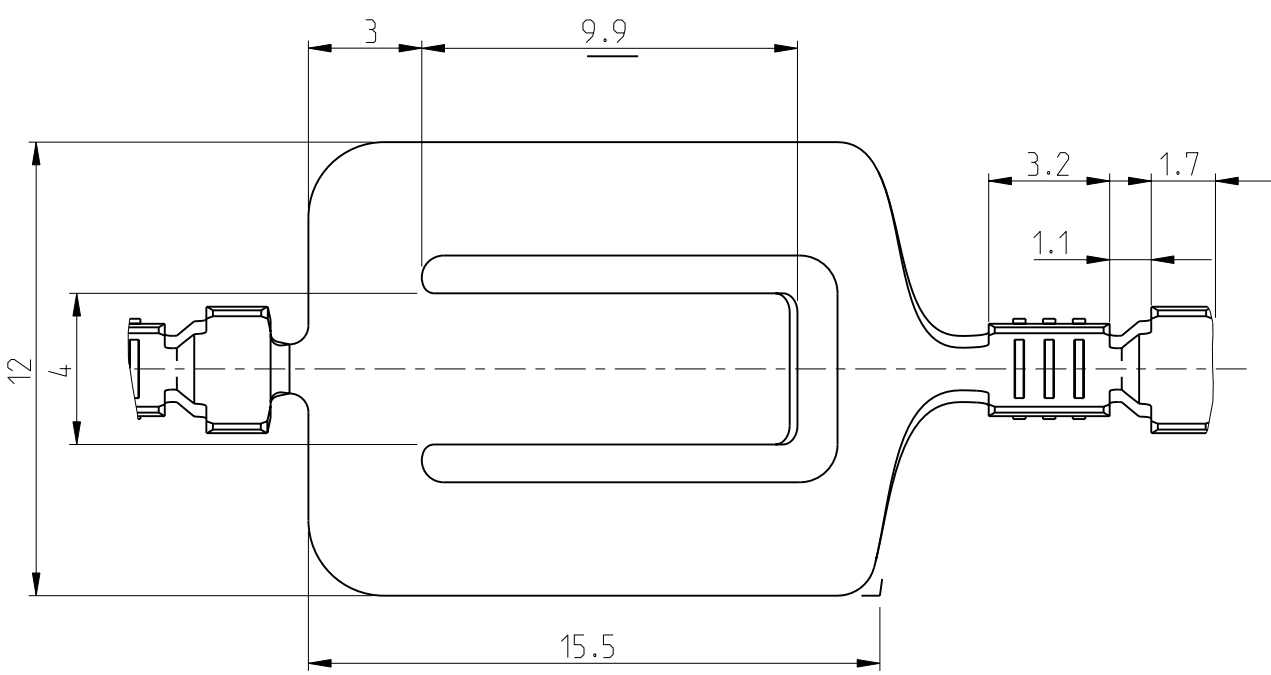
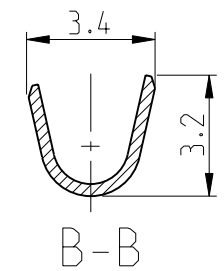
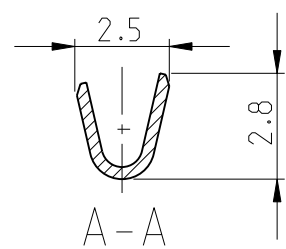
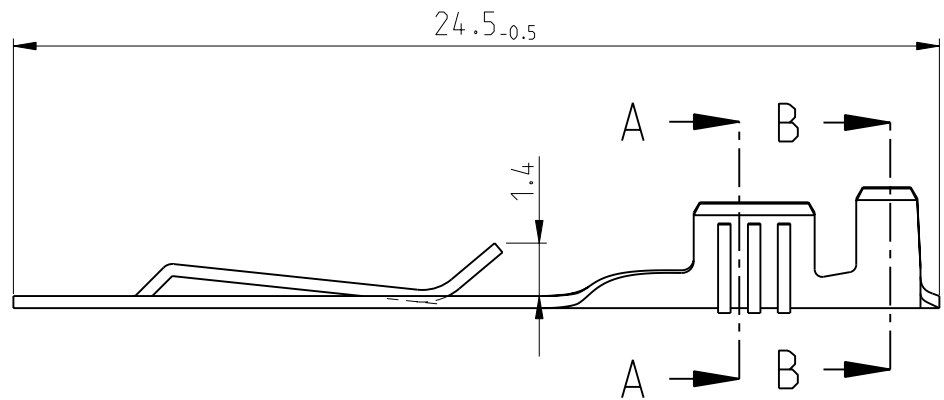
Email & Skype: info@chipsmall.com Web: www.chipsmall.com

Address: A1208, Overseas Decoration Building, #122 Zhenhua RD., Futian, Shenzhen, China



THIS DRAWING IS UNPUBLISHED. RELEASED FOR PUBLICATION 2008
 © COPYRIGHT 2008 BY TYCO ELECTRONICS CORPORATION. ALL RIGHTS RESERVED.

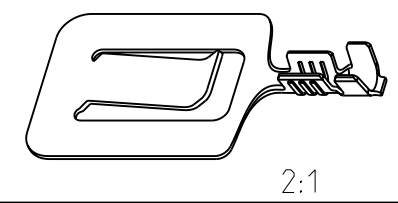
LOC	DIST	REVISIONS				
P	LTR	DESCRIPTION	DATE	DWN	APVD	
A1	-	K1	DRAWN TO Pro/E	115DEC2008	SRE	SZA
		K2	24+0.5 changed to 24,5-0.5	11FEB2009	KVUR	SZA



NOTES:

1. WIRE CRIMP: 0.5 - 1.0 mm²
2. ISOLATION: Ø1.4 - Ø2.1 mm (BRAIDS WITH REDUCED ISOLATION Z.B FL-X)
3. STOCK THK: 0.32

PRE TINNED	MATERIAL	PART NO
PRE TINNED	CuSn4	927925-2
PRE TINNED	CuZn30	927925-1



<small>THIS DRAWING IS A CONTROLLED DOCUMENT FOR TYCO ELECTRONICS CORPORATION IT IS SUBJECT TO CHANGE AND THE CONTROLLING ENGINEERING ORGANIZATION SHOULD BE CONTACTED FOR THE LATEST REVISION.</small>		DWN BLUNCK 23DEC1981 CHK KNELL 06JUN1982 APVD - PRODUCT SPEC - APPLICATION SPEC - WEIGHT -	Tyco Electronics Tyco Electronics AMP GmbH 64625 Bensheim (Germany)
DIMENSIONS: mm 	TOLERANCES UNLESS OTHERWISE SPECIFIED: 0 PLC ± - 1 PLC ± - 2 PLC ± 0.2 3 PLC ± 0.2 4 PLC ± - ANGLES ± 1°	NAME GROUNDING CUP FOR TV Erdungsklemme fuer TV - Bildroehre	
MATERIAL SEE TABLE	FINISH SEE TABLE	SIZE A3 CAGE CODE 00779 DRAWING NO © 927925	RESTRICTED TO - SCALE 5:1 SHEET 1 OF 2 REV K2

4

3

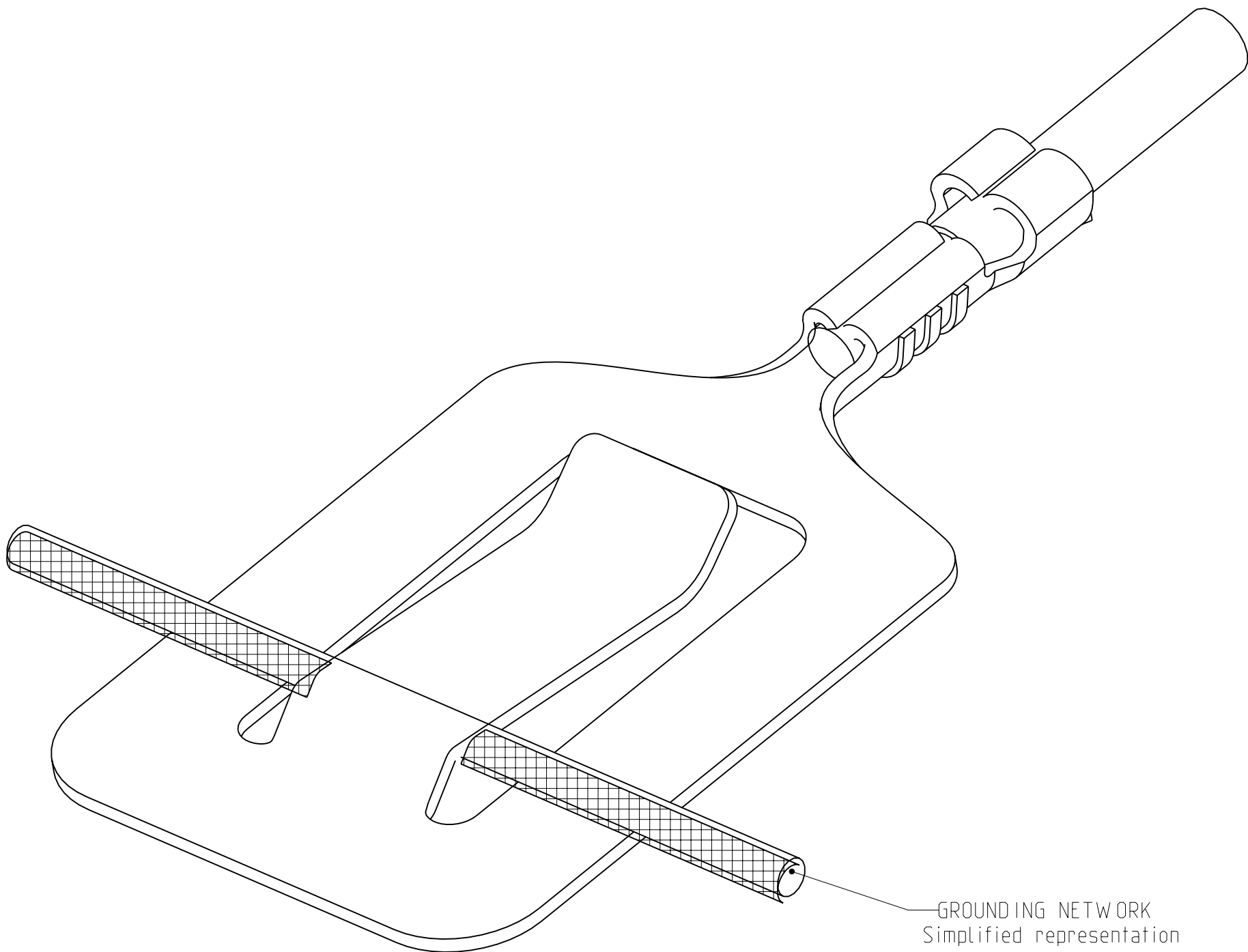
2

1

THIS DRAWING IS UNPUBLISHED. RELEASED FOR PUBLICATION 2008

© COPYRIGHT 2008 BY TYCO ELECTRONICS CORPORATION. ALL RIGHTS RESERVED.

LOC	DIST	REVISIONS			
P	LTR	DESCRIPTION	DATE	DWN	APVD
	-	SEE SHEET 11	-	-	-



GROUNDING NETWORK
Simplified representation

<small>THIS DRAWING IS A CONTROLLED DOCUMENT FOR TYCO ELECTRONICS CORPORATION IT IS SUBJECT TO CHANGE AND THE CONTROLLING ENGINEERING ORGANIZATION SHOULD BE CONTACTED FOR THE LATEST REVISION.</small>		DWN BLUNCK 23DEC1981 CHK KNELL 06JUN1982 APVD - PRODUCT SPEC - APPLICATION SPEC - WEIGHT -	Tyco Electronics AMP GmbH 64625 Bensheim (Germany)	NAME GROUNDING CUP FOR TV Erdungsklemme fuer TV - Bildroehre	RESTRICTED TO -
DIMENSIONS: mm 	TOLERANCES UNLESS OTHERWISE SPECIFIED: 0 PLC ± - 1 PLC ± - 2 PLC ± 0.2 3 PLC ± 0.2 4 PLC ± - ANGLES ± 1°	MATERIAL SEE SHEET 1 FINISH SEE SHEET 1	SIZE A3 CAGE CODE 00779 DRAWING NO G= 927925	SCALE 5:1 SHEET 2 OF 2 REV K2	CUSTOMER DRAWING