



Chipsmall Limited consists of a professional team with an average of over 10 year of expertise in the distribution of electronic components. Based in Hongkong, we have already established firm and mutual-benefit business relationships with customers from,Europe,America and south Asia,supplying obsolete and hard-to-find components to meet their specific needs.

With the principle of “Quality Parts,Customers Priority,Honest Operation,and Considerate Service”,our business mainly focus on the distribution of electronic components. Line cards we deal with include Microchip,ALPS,ROHM,Xilinx,Pulse,ON,Everlight and Freescale. Main products comprise IC,Modules,Potentiometer,IC Socket,Relay,Connector.Our parts cover such applications as commercial,industrial, and automotives areas.

We are looking forward to setting up business relationship with you and hope to provide you with the best service and solution. Let us make a better world for our industry!



Contact us

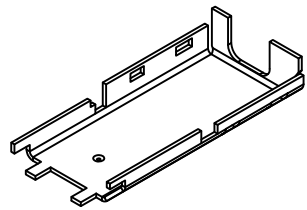
Tel: +86-755-8981 8866 Fax: +86-755-8427 6832

Email & Skype: info@chipsmall.com Web: www.chipsmall.com

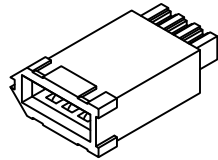
Address: A1208, Overseas Decoration Building, #122 Zhenhua RD., Futian, Shenzhen, China



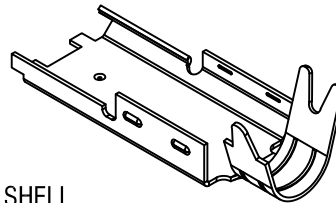
DATE	DESCRIPTION	REV.
8.9.99	CHANGE AS PER ECN 99-054	A
6.7.05	CHANGE AS PER ECN 05-030	B
12.08.10	CHANGE AS PER ECN 10-085	C
3.11.16	CHANGE AS PER ECN 16-038	D



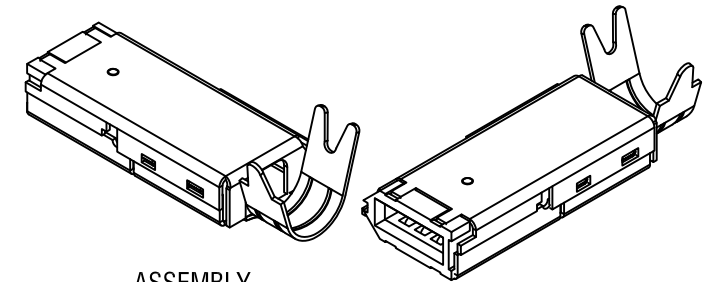
FRONT SHELL



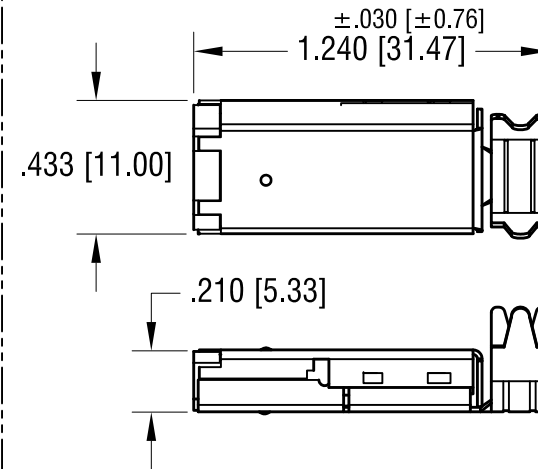
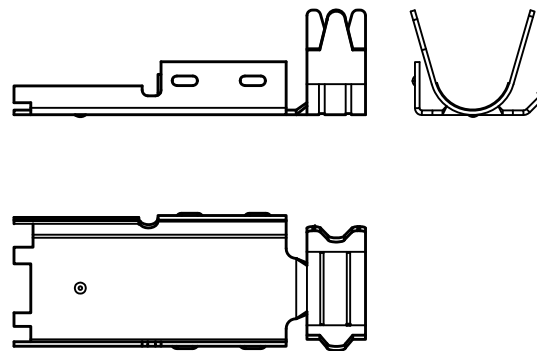
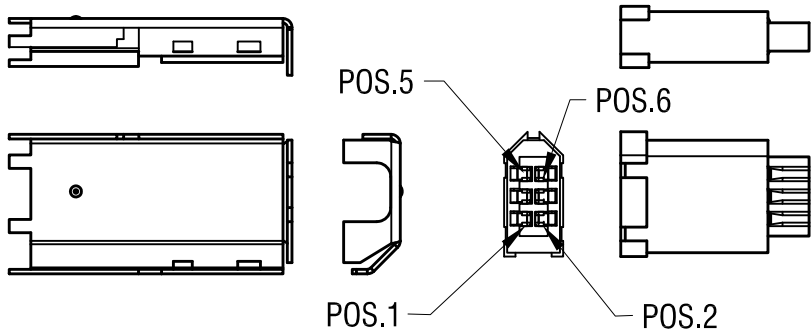
INNER HOUSING / TERMINALS



REAR SHELL



ASSEMBLY



Notes:

Shell: Mat'l: Steel,

Finish: Nickel Plate over Copper.

Insulator: Mat'l: Thermoplastic UL 94V-0

Contacts: Mat'l: Bronze

Finish: Gold Plate over Nickel Plate
on Contact Area.

Tin Plate over Nickel Plate on Solder Tail.

THIS DOCUMENT IS THE PROPERTY OF
KEYSTONE ELECTRONICS CORP. AND
SHALL NOT BE REPRODUCED, DISTRIBUTED
OR USED AS A BASIS FOR MANUFACTURE
WITHOUT PRIOR WRITTEN PERMISSION
FROM KEYSTONE ELECTRONICS CORP.

KEYSTONE ELECTRONICS CORP.			
www.keyelco.com • ASTORIA, N.Y. 11105-2017 • Tel (718) 956-8900			
PART NAME			
IEEE 1394 'FIREWIRE' PLUG			
MATERIAL			
AS NOTED			
FINISH	DRN BY	DATE	
AS NOTED	BOONE	5.22.98	
	APPD	SCALE	
	LN	1.5X	
TOLERANCES	INCH	[MM]	CODE
DECIMAL	± .010	[± 0.25]	C
ANGULAR	± 1°		
UNLESS OTHERWISE SPECIFIED			DWG NO.
			928