



Chipsmall Limited consists of a professional team with an average of over 10 year of expertise in the distribution of electronic components. Based in Hongkong, we have already established firm and mutual-benefit business relationships with customers from,Europe,America and south Asia,supplying obsolete and hard-to-find components to meet their specific needs.

With the principle of “Quality Parts,Customers Priority,Honest Operation,and Considerate Service”,our business mainly focus on the distribution of electronic components. Line cards we deal with include Microchip,ALPS,ROHM,Xilinx,Pulse,ON,Everlight and Freescale. Main products comprise IC,Modules,Potentiometer,IC Socket,Relay,Connector.Our parts cover such applications as commercial,industrial, and automotives areas.

We are looking forward to setting up business relationship with you and hope to provide you with the best service and solution. Let us make a better world for our industry!



Contact us

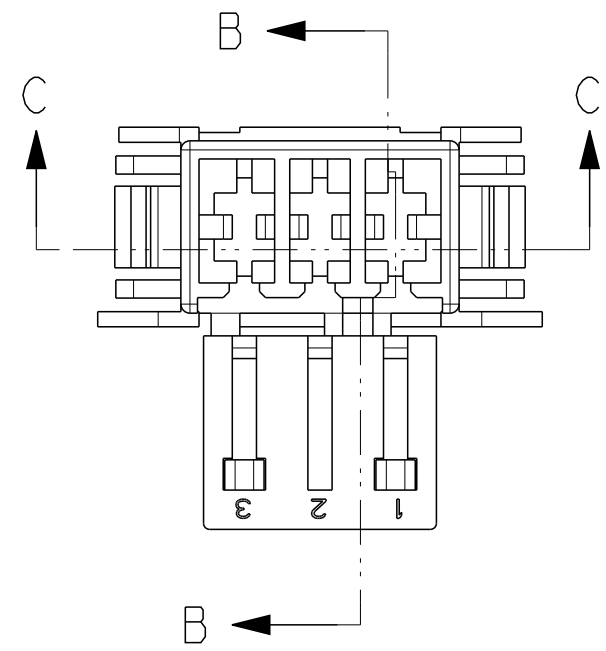
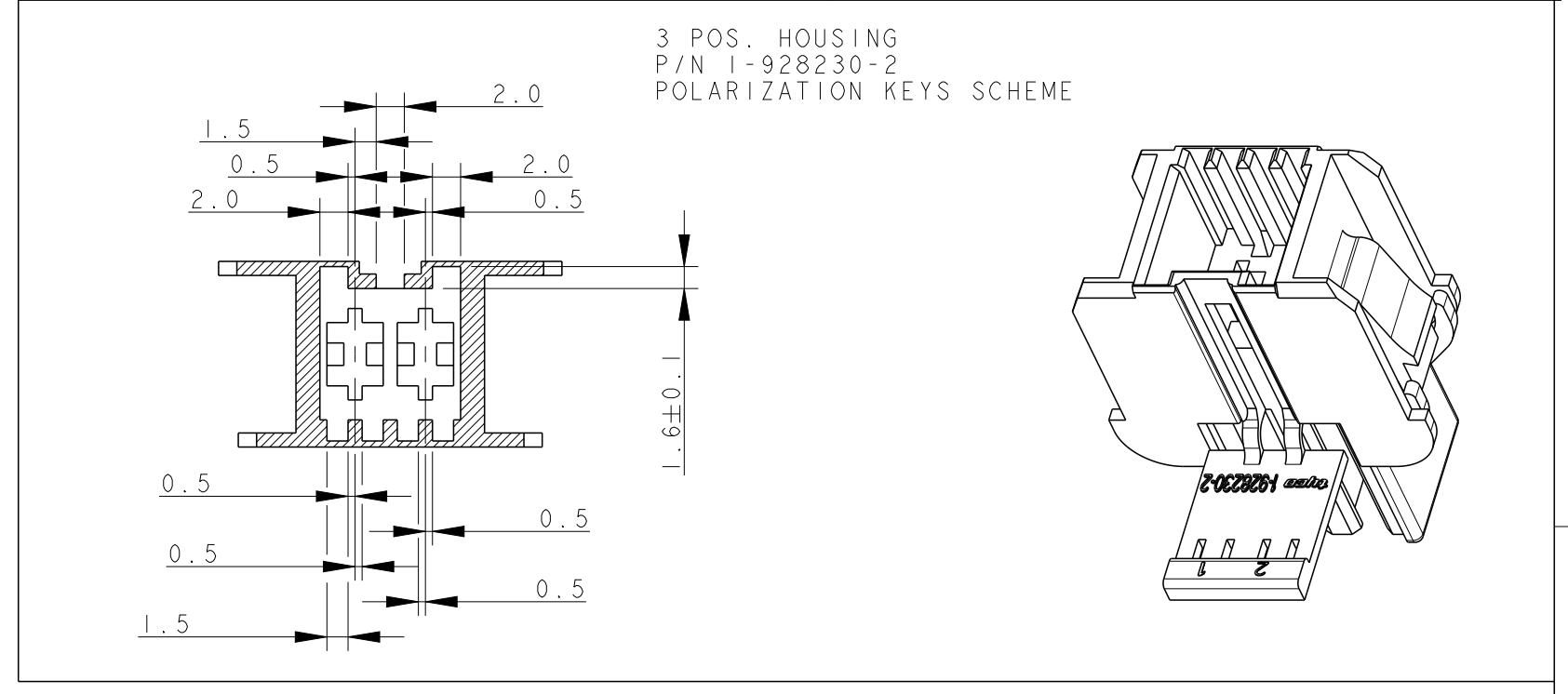
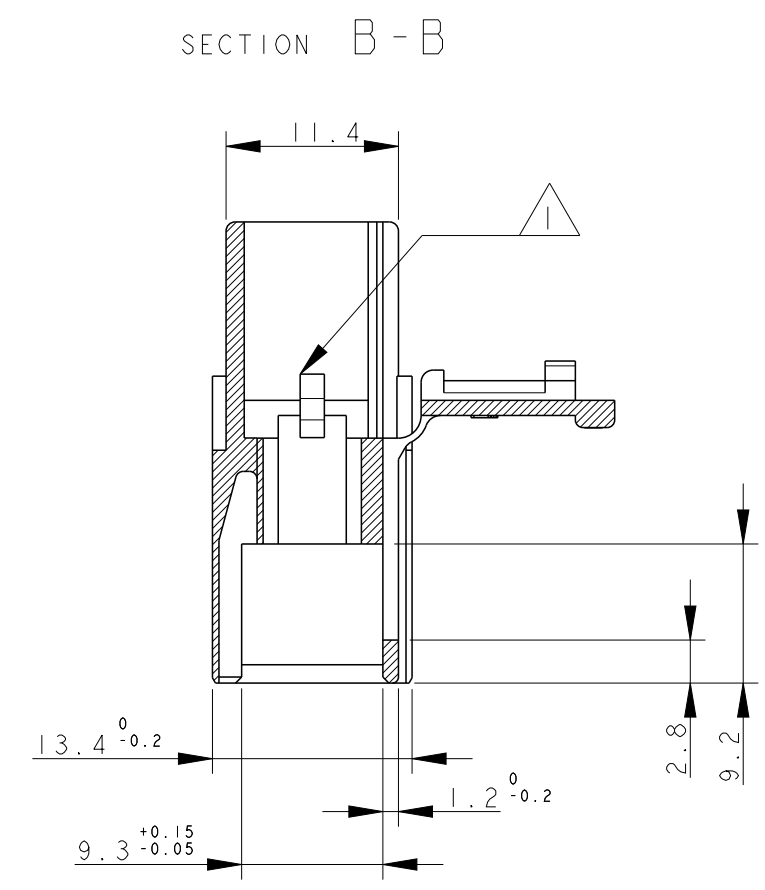
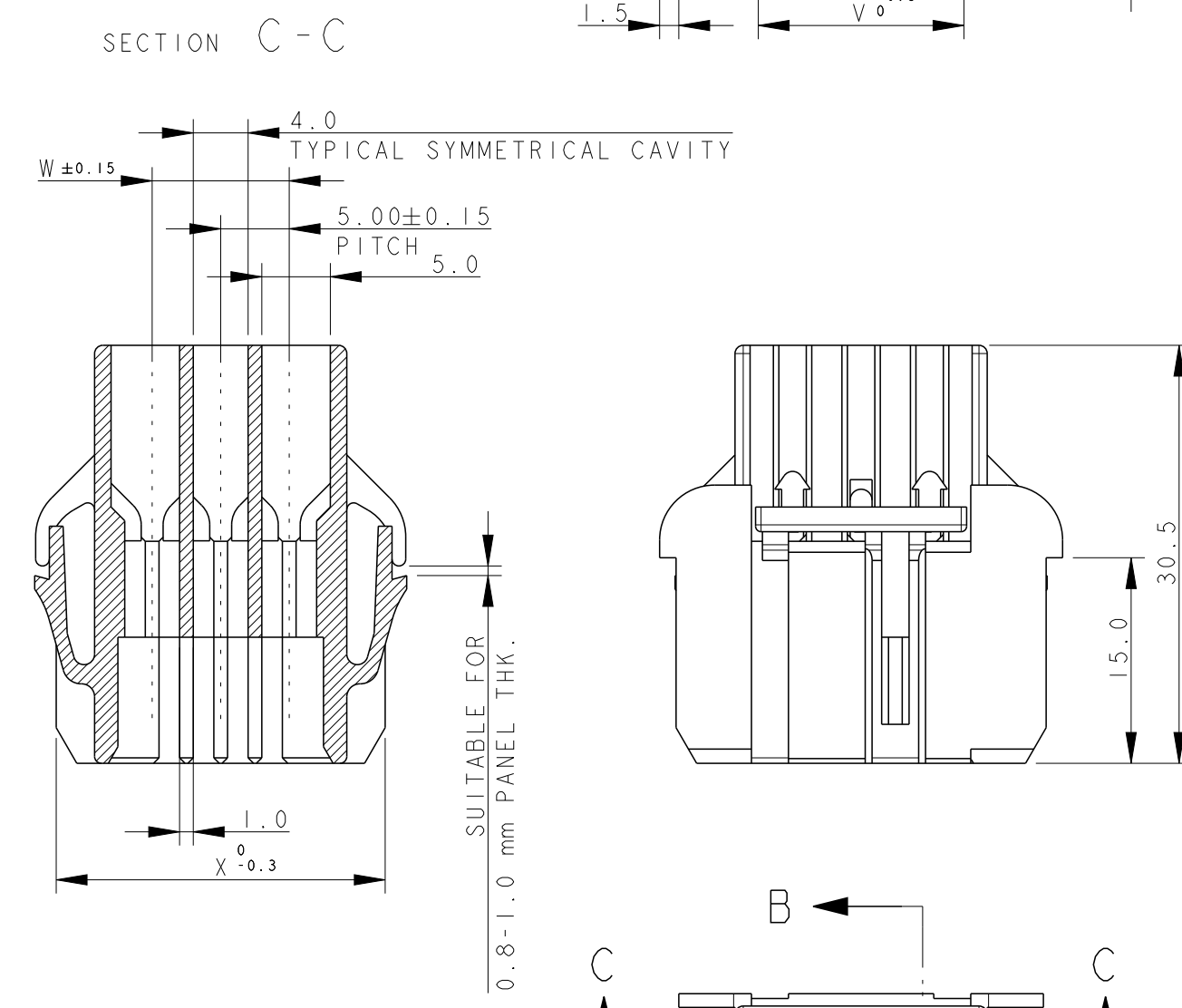
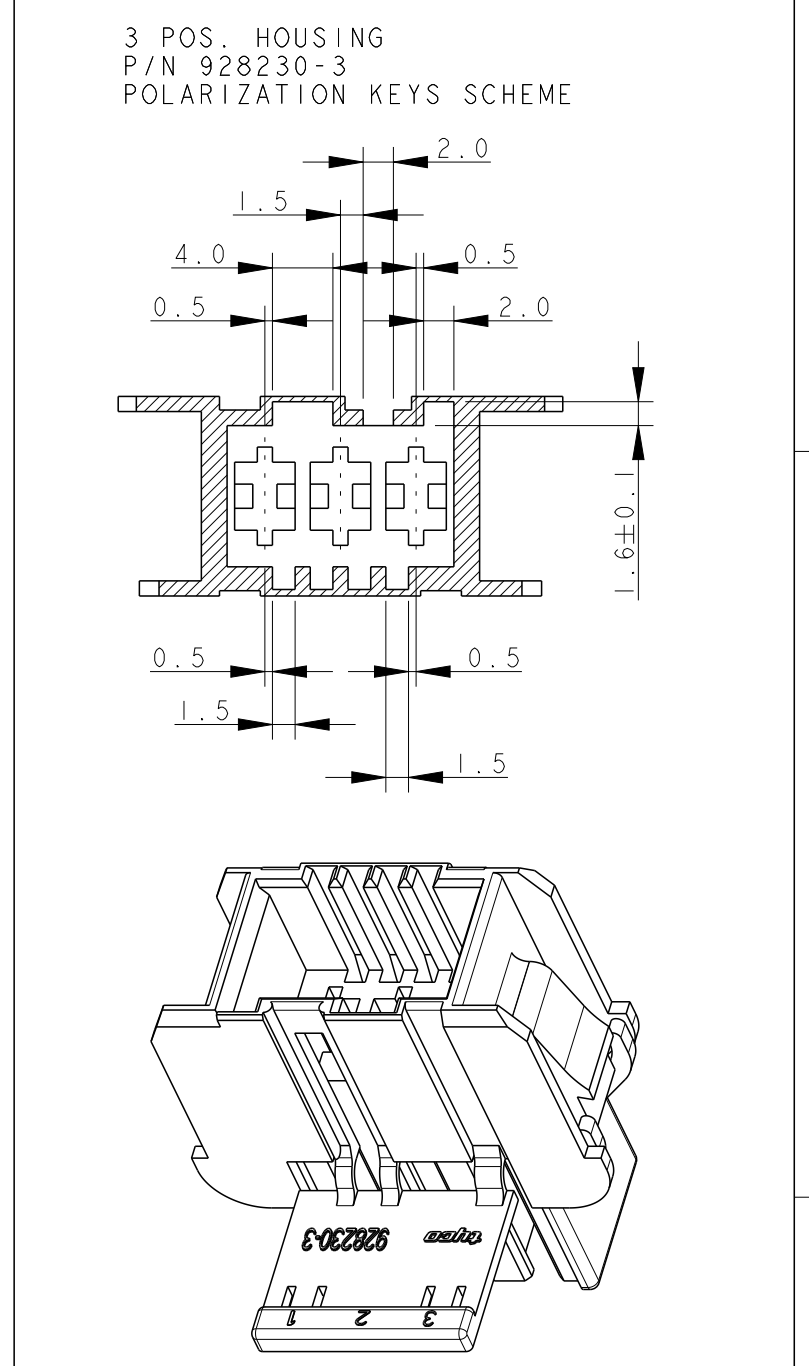
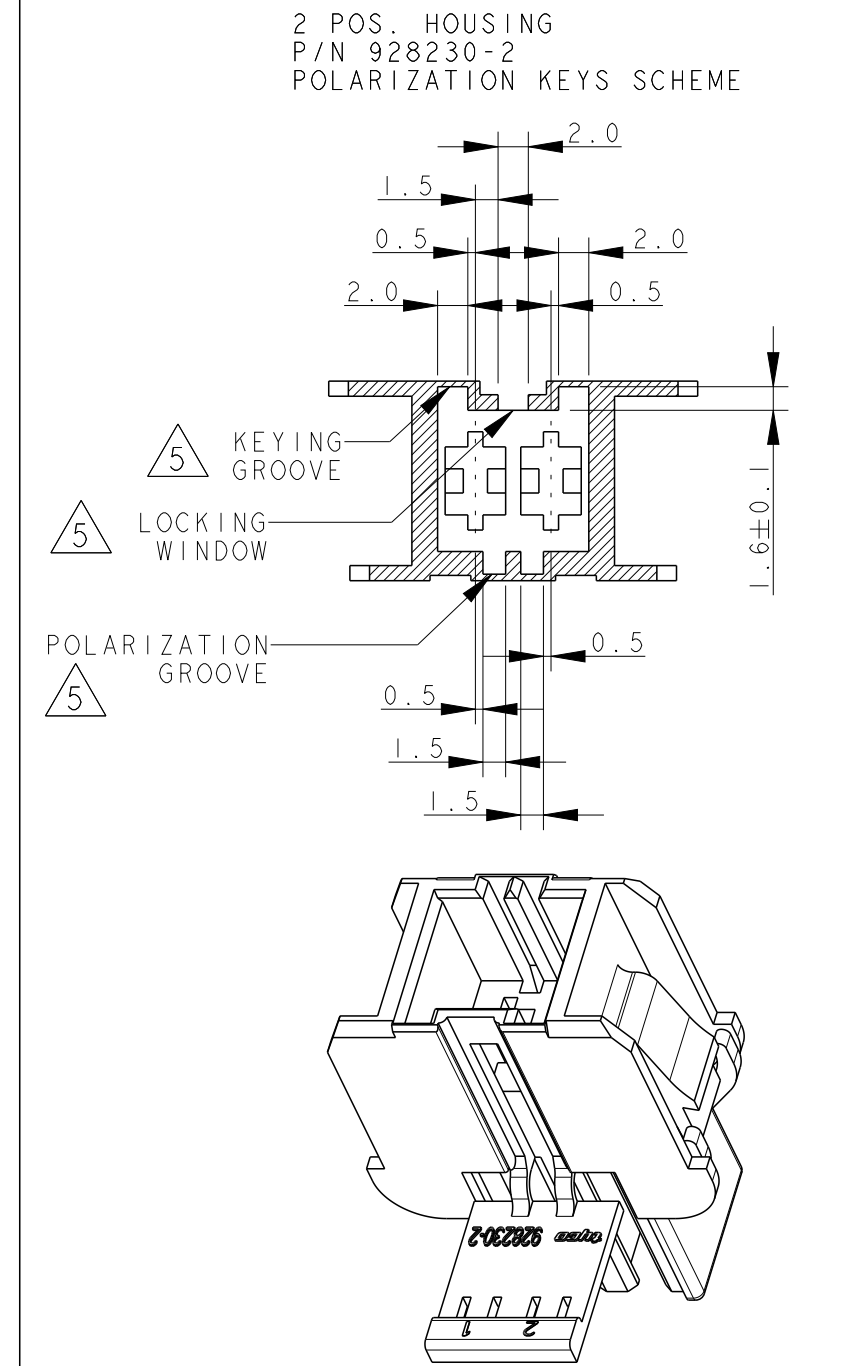
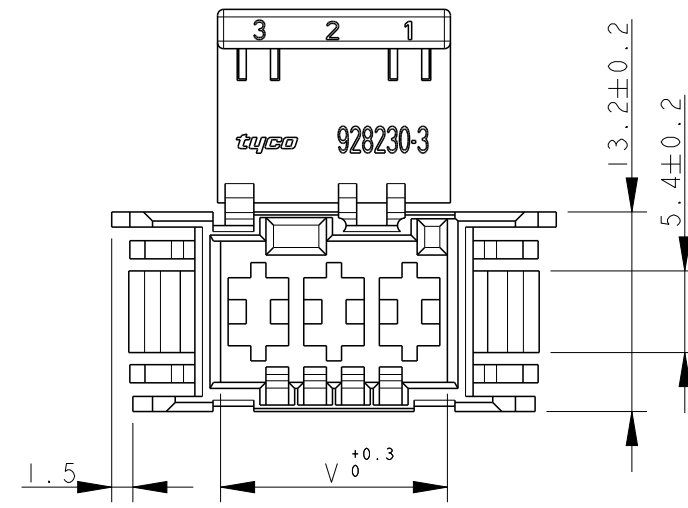
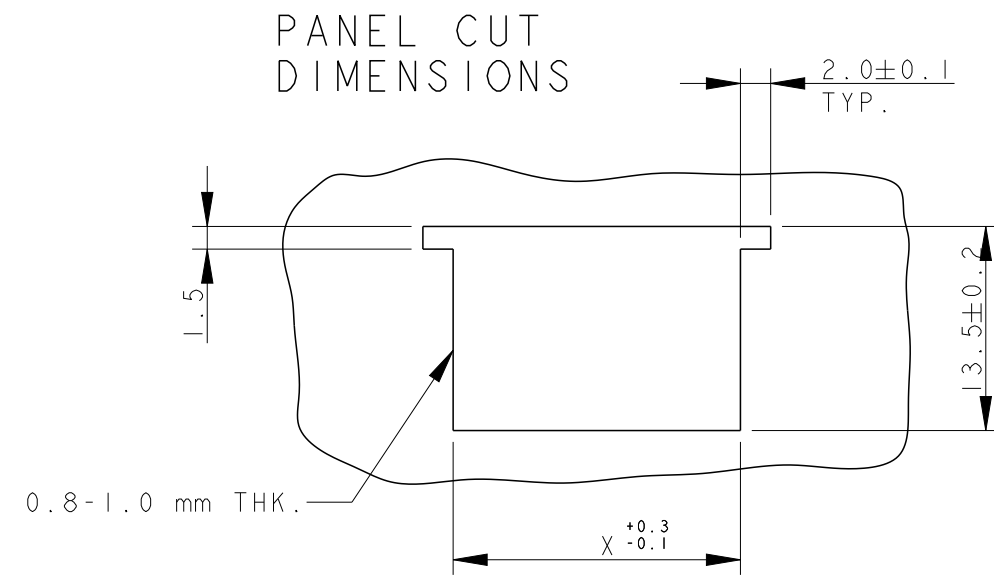
Tel: +86-755-8981 8866 Fax: +86-755-8427 6832

Email & Skype: info@chipsmall.com Web: www.chipsmall.com

Address: A1208, Overseas Decoration Building, #122 Zhenhua RD., Futian, Shenzhen, China



REVISIONS				
P	LTR	DESCRIPTION	DATE	APVD
C5	ECR-09-023726		29OCT2009	PKS RRP
C6	ECR-14-009703		03JUL2014	SS RR



- 1 TYPICAL CAVITY SUITABLE FOR FASTIN-FASTON TAB CONTACT 6.3 mm SRS. P/N 293041.
- 2 PA66 UNFILLED, UL 94-V2, NATURAL COLOUR.
- 3 TE TRADEMARK "LOGO" AND TYCO ELECTRONICS "PART NUMBER" OPTIONAL POSITION.
- 4 CIRCUIT IDENTIFICATION NUMBERS.
- 5 POLARIZATION KEYS DIMENSIONS AND POSITIONS ARE ACCORDING TO "RAST 5" NORM
- 6 PRELIMINARY PART.

V	W	X	NOTE	COLOR	MATERIAL	TE P/N	REV
15.0	10.0	24.0		NATURAL	SEE NOTE 2	928230-3	C
10.0	5.0	19.0		NATURAL	SEE NOTE 2	1-928230-2	I
10.0	5.0	19.0		NATURAL	SEE NOTE 2	928230-2	C

THIS DRAWING IS A CONTROLLED DOCUMENT.

DWN	H. YAALI	31AUG2006
CHK	H. YAALI	31AUG2006
APVD	G. TURCO	
PRODUCT SPEC	108-20256	
APPLICATION SPEC		
WEIGHT		
CUSTOMER DRAWING		

NAME: 2-3 POS. FASTIN-FASTON* Connector, TAB HOUSING, RAST 5, PANEL MOUNT.

SIZE: A2 CAGE CODE: 0779 DRAWING NO: 928230 RESTRICTED TO: -

SCALE: 2:1 SHEET: 1 OF 1 REV: C6