



Chipsmall Limited consists of a professional team with an average of over 10 year of expertise in the distribution of electronic components. Based in Hongkong, we have already established firm and mutual-benefit business relationships with customers from,Europe,America and south Asia,supplying obsolete and hard-to-find components to meet their specific needs.

With the principle of “Quality Parts,Customers Priority,Honest Operation,and Considerate Service”,our business mainly focus on the distribution of electronic components. Line cards we deal with include Microchip,ALPS,ROHM,Xilinx,Pulse,ON,Everlight and Freescale. Main products comprise IC,Modules,Potentiometer,IC Socket,Relay,Connector.Our parts cover such applications as commercial,industrial, and automotives areas.

We are looking forward to setting up business relationship with you and hope to provide you with the best service and solution. Let us make a better world for our industry!



## Contact us

Tel: +86-755-8981 8866 Fax: +86-755-8427 6832

Email & Skype: info@chipsmall.com Web: www.chipsmall.com

Address: A1208, Overseas Decoration Building, #122 Zhenhua RD., Futian, Shenzhen, China



PRODUCT NO.	MOUNTING STYLE	COLOR	SOLDER-TAIL STYLE	BOARD LOCATOR	STAND-OFF	MOUNTING SUPPORT	PAGE	APPLICATION DRAWING	
92856-000	TOP-MOUNT	BLACK	THRU-HOLE, R/A	NO	NO	NO	2	REFER TO TA-946 FOR BOARD LAYOUT	
92856-040					2 mm	2 mm	4		
92856-010					4 mm	4 mm	16		
92856-020					5 mm	5 mm	6		
92856-080					2 mm	NO	14		
92856-090					5 mm		15		
92856-001			SMT, STAGGERED (DOUBLE-ROW)	YES	NO	NO			8
92856-002			SMT, IN-LINE (SINGLE-ROW)						10
92856-003			THRU-HOLE, R/A						12
92856-500			BOTTOM-MOUNT	NATURAL	THRU-HOLE, R/A	NO	NO		NO
92856-540	2 mm	2 mm					5		
92856-510	4 mm	4 mm					17		
92856-520	5 mm	5 mm					7		
92856-501	SMT, STAGGERED (DOUBLE-ROW)	YES			NO	NO		9	
92856-502	SMT, IN-LINE (SINGLE-ROW)							11	
92856-503	THRU-HOLE, R/A							13	

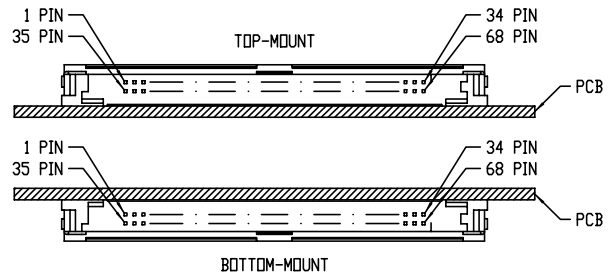


FIG. A MOUNTING STYLE

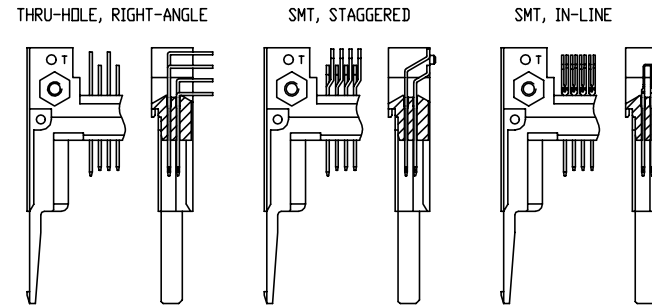
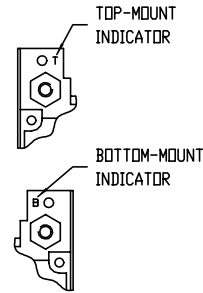


FIG. B SOLDER-TAIL STYLE

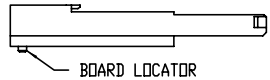


FIG. C BOARD LOCATOR

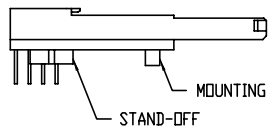
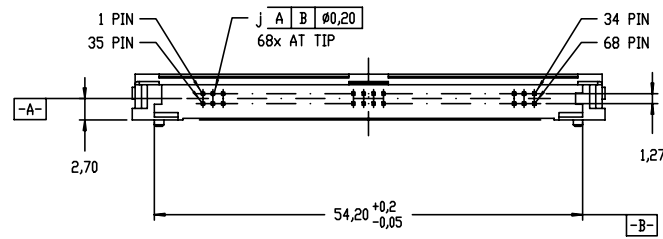
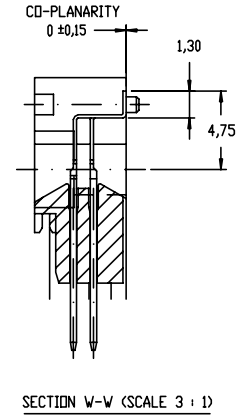
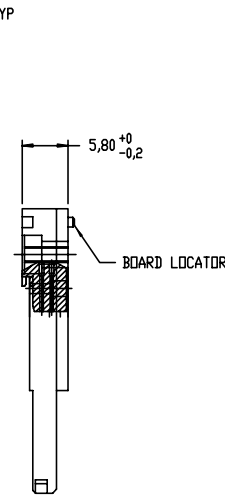
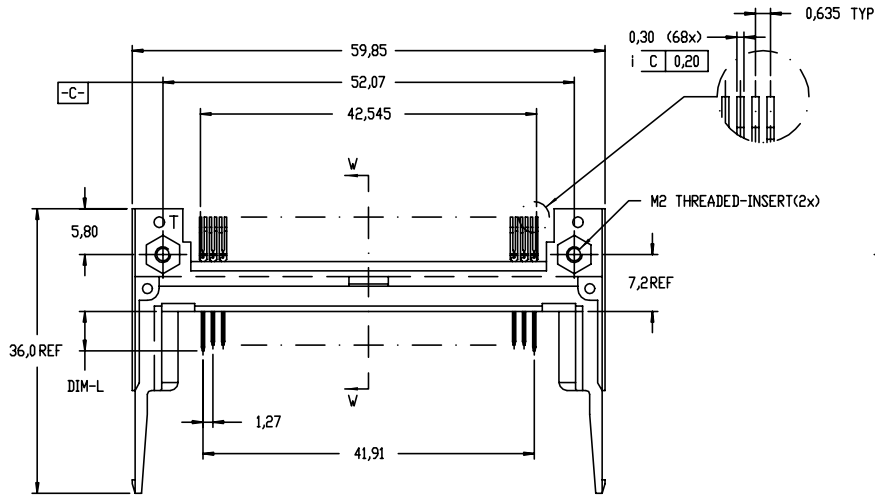


FIG. D STAND-OFF & MOUNTING SUPPORT

mat'l. code		surface <input checked="" type="checkbox"/> ISO1302		tolerance <input checked="" type="checkbox"/> ISO1101 <input checked="" type="checkbox"/> ISO406		projection		product family PCMCIA	
l t r e c n n o d r		date		tolerances unless otherwise specified		MM		68P EJECTOR HEADER ASSEMBLY	
D	V61492	LT SOH	12/05/96	angle	±0.3	scale N.T.S.		FOR PCMCIA/JEIDA TYPE-I/II/III :HEADER ASSEMBLY	
E	V03-0518	WL	05/29/03	0°±2'				dwg no	
F	BLX-N-011433	ZK	04/02/12					sheet 1 of 17 size	
		dr	L T SOH	12/05/96			92856		A4
		enr	L T SOH	12/05/96			type		Product Customer Drawing
		chr	L T SOH	12/05/96					
		appd	L T SOH	12/05/96					
sheet index	revision	F	F	F	F	F	F	F	F
	sheet	1	2	3	4	5	6	7	8

PRODUCT NO.	MOUNTING STYLE	COLOR	SOLDER-TAIL STYLE	STAND-OFF	MOUNTING SUPPORT	BOARD LOCATOR
92856-002	TOP-MOUNT	BLACK	SMT IN-LINE (SINGLE-ROW)	NO	NO	YES



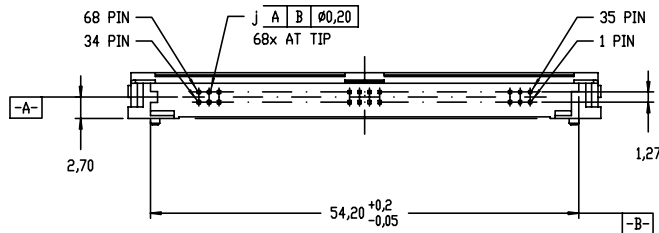
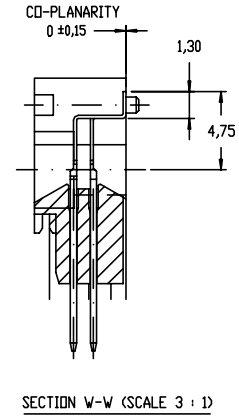
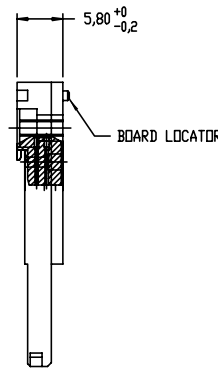
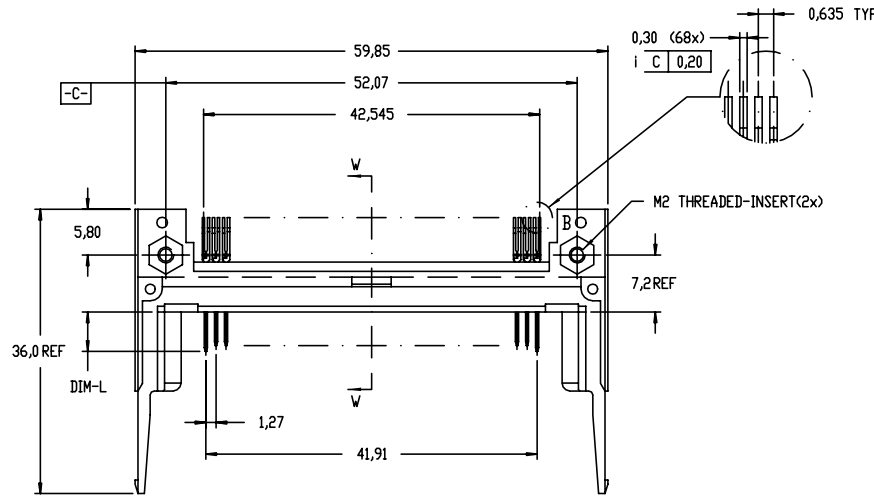
NOTES :

- SEE TA-946 FOR PCB LAYOUT.
- MATERIAL :  
PLASTIC : HIGH TEMPERATURE THERMOPLASTIC UL94V-0  
PIN : PHOSPHOR BRONZE
- FINISH (PIN) :  
UNDER-PLATING : 0.5 µm MIN. NI  
CONTACT AREA : 0.076 µm MIN. GOLD  
SOLDER AREA : 2.5µm MIN. Sn-Pb
- PRODUCT SPEC110-263

mat'l. code	surface ISO1302 ✓	tolerance ISO1101 ISO406	projection MM	product family PCMCIA
l'recn nodr	date	tolerances unless otherwise specified	scale N.T.S.	title 68P EJECTOR HEADER ASSEMBLY FOR PCMCIA/JEIDA TYPE-I/II/III :HEADER ASSEMBLY
F		angle 0°±2'	scale N.T.S.	dwg no 92856
	dr	L T SOH	12/05/96	sheet 2 of 17 size A4
	engr	L T SOH	12/05/96	type Product Customer Drawing
	chr	L T SOH	12/05/96	
	appd	L T SOH	12/05/96	
sheet index	revision sheet			

PIN NO.	36 , 67	1 , 17 , 34 35 , 51 , 68	OTHERS
DIM-L	3,50 ± 0,10	5,00 ± 0,10	4,25 ± 0,10

PRODUCT NO.	MOUNTING STYLE	COLOR	SOLDER-TAIL STYLE	STAND-OFF	MOUNTING SUPPORT	BOARD LOCATOR
92856-502	BOTTOM-MOUNT	NATURAL	SMT IN-LINE (SINGLE-ROW)	NO	NO	YES



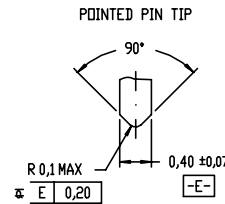
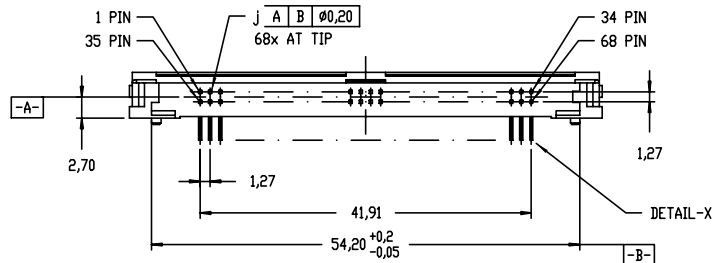
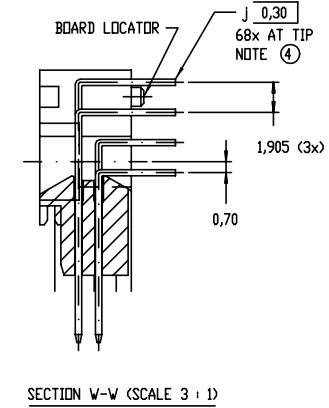
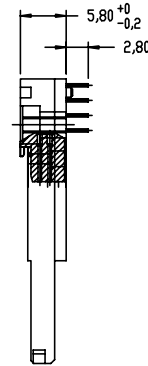
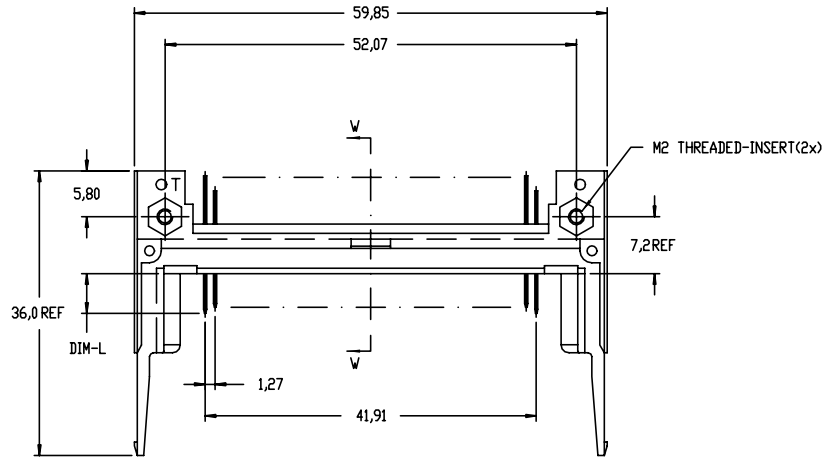
NOTES :

- SEE TA-946 FOR PCB LAYOUT.
- MATERIAL :  
 PLASTIC : HIGH TEMPERATURE THERMOPLASTIC UL94V-0  
 PIN : PHOSPHOR BRONZE
- FINISH (PIN) :  
 UNDER-PLATING : 0,5 µm MIN. NI  
 CONTACT AREA : 0,076 µm MIN. GOLD  
 SOLDER AREA : 2,5µm MIN. Sn-Pb
- PRODUCT SPEC:110-263

PIN NO.	36 , 67	1 , 17 , 34 35 , 51 , 68	OTHERS
DIM-L	3,50 ± 0,10	5,00 ± 0,10	4,25 ± 0,10

mat'l. code	surface ISO1302 ✓	tolerance ISO1101 ISO406	projection MM	product family PCMCIA
ltr ecn nodr	date	tolerances unless otherwise specified	scale N.T.S.	title 68P EJECTOR HEADER ASSEMBLY FOR PCMCIA/JEIDA TYPE-I/II/III :HEADER ASSEMBLY
F		angle 0°±2'	scale	dwg no 92856
		dr L T SOH	12/05/96	sheet 3 of 17 size A4
		enr L T SOH	12/05/96	type Product Customer Drawing
		chr L T SOH	12/05/96	
		appd L T SOH	12/05/96	
sheet index	revision sheet			

PRODUCT NO.	MOUNTING STYLE	COLOR	SOLDER-TAIL STYLE	STAND-OFF	MOUNTING SUPPORT	BOARD LOCATOR
92856-003	TOP-MOUNT	BLACK	THRU-HOLE, R/A	NO	NO	YES



NOTES :

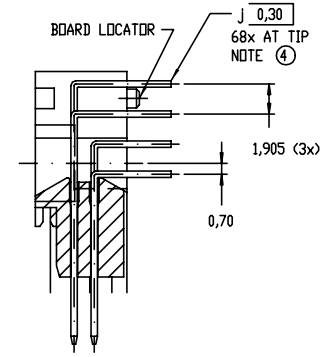
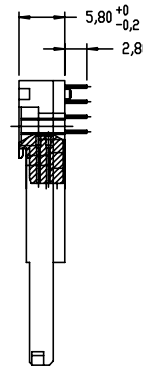
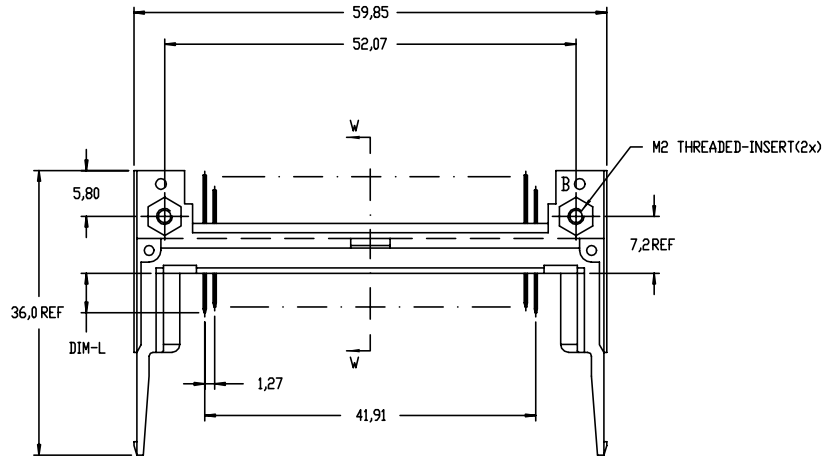
- SEE TA-946 FOR PCB LAYOUT.
- MATERIAL :  
PLASTIC : HIGH TEMPERATURE THERMOPLASTIC UL94V-0  
PIN : PHOSPHOR BRONZE
- FINISH (PIN) :  
UNDER-PLATING : 0,5 µm MIN. Ni  
CONTACT AREA : 0,076 µm MIN. GOLD  
SOLDER AREA : 2,5µm MIN. Sn-Pb
- TRUE POSITION IS A FREE GRID TO THE PIN PATTERN ITSELF.
- PRODUCT SPEC:110-263

DETAIL-X (SCALE 15 : 1)

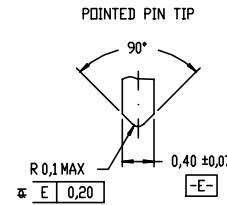
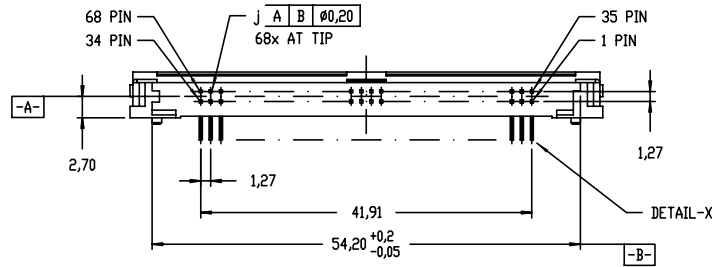
PIN NO.	36 , 67	1 , 17 , 34 35 , 51 , 68	OTHERS
DIM-L	3,50 ± 0,10	5,00 ± 0,10	4,25 ± 0,10

mat'l. code	surface ISO1302 ✓	tolerance ISO1101 ISO406	projection MM	product family PCMCIA
l trechn nodr	date	tolerances unless otherwise specified	scale	title
F		angle 0°±2'	MM	68P EJECTOR HEADER ASSEMBLY FOR PCMCIA/JEIDA TYPE-I/II/III :HEADER ASSEMBLY
		dr L T SOH 12/05/96	scale N.T.S.	dwg no 92856 sheet 4 of 17 size A4
		enr L T SOH 12/05/96		
		chr L T SOH 12/05/96		
		appd L T SOH 12/05/96		
sheet index	revision sheet			type Product Customer Drawing

PRODUCT NO.	MOUNTING STYLE	COLOR	SOLDER-TAIL STYLE	STAND-OFF	MOUNTING SUPPORT	BOARD LOCATOR
92856-503	BOTTOM-MOUNT	NATURAL	THRU-HOLE, R/A	NO	NO	YES



SECTION W-W (SCALE 3 : 1)



DETAIL-X (SCALE 15 : 1)

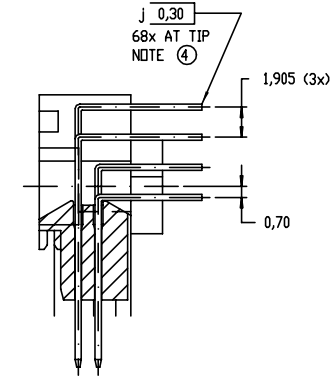
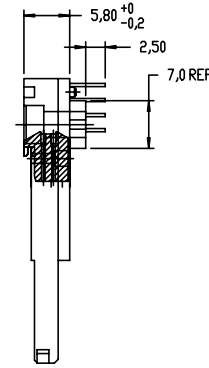
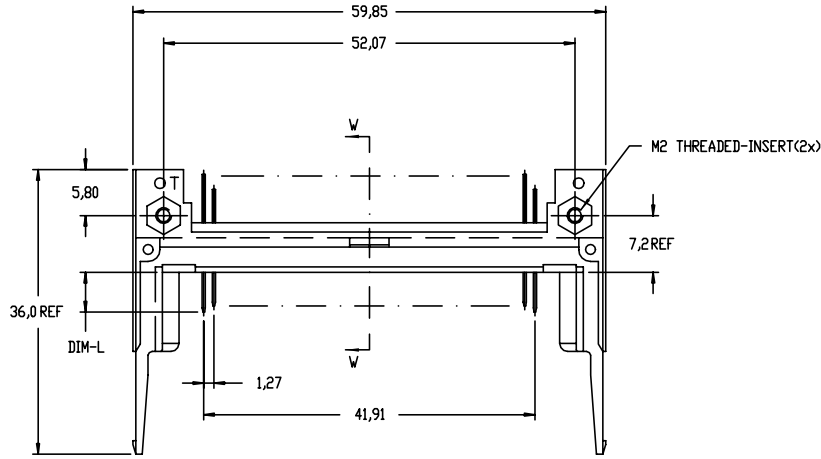
NOTES :

- SEE TA-946 FOR PCB LAYOUT.
- MATERIAL :  
PLASTIC : HIGH TEMPERATURE THERMOPLASTIC UL94V-0  
PIN : PHOSPHOR BRONZE
- FINISH (PIN) :  
UNDER-PLATING : 0,5 µm MIN. Ni  
CONTACT AREA : 0,076 µm MIN. GOLD  
SOLDER AREA : 2,5µm MIN. Sn-Pb
- TRUE POSITION IS A FREE GRID TO THE PIN PATTERN ITSELF.
- PRODUCT SPEC:110-263

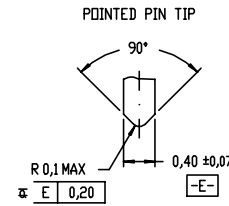
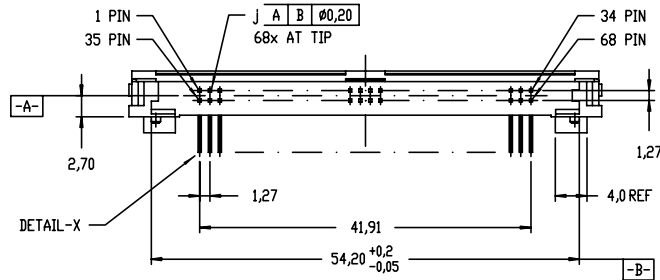
PIN NO.	36 , 67	1 , 17 , 34 35 , 51 , 68	OTHERS
DIM-L	3,50 ± 0,10	5,00 ± 0,10	4,25 ± 0,10

mat'l. code	surface ISO1302 ✓	tolerance ISO1101 ISO406	projection MM	product family PCMCIA
ltr ecn nodr	date	tolerances unless otherwise specified	scale N.T.S.	title 68P EJECTOR HEADER ASSEMBLY FOR PCMCIA/JEIDA TYPE-I/II/III :HEADER ASSEMBLY
F		angle 0°±2'	scale N.T.S.	dwg no 92856
		dr L T SOH 12/05/96		sheet 5 of 17 size A4
		enr L T SOH 12/05/96		type Product Customer Drawing
		chr L T SOH 12/05/96		
		appd L T SOH 12/05/96		
sheet index	revision sheet			

PRODUCT NO.	MOUNTING STYLE	COLOR	SOLDER-TAIL STYLE	STAND-OFF	MOUNTING SUPPORT	BOARD LOCATOR
92856-080	TOP-MOUNT	BLACK	THRU-HOLE, R/A	2 mm	NO	NO



SECTION A-A (SCALE 3 : 1)



DETAIL-X (SCALE 15 : 1)

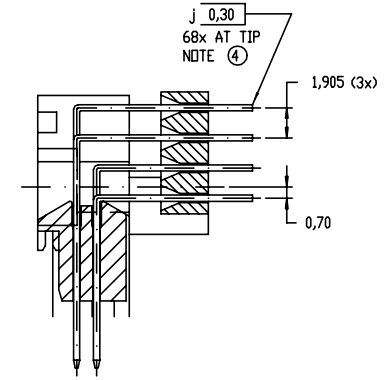
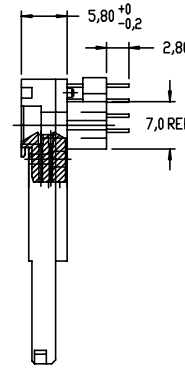
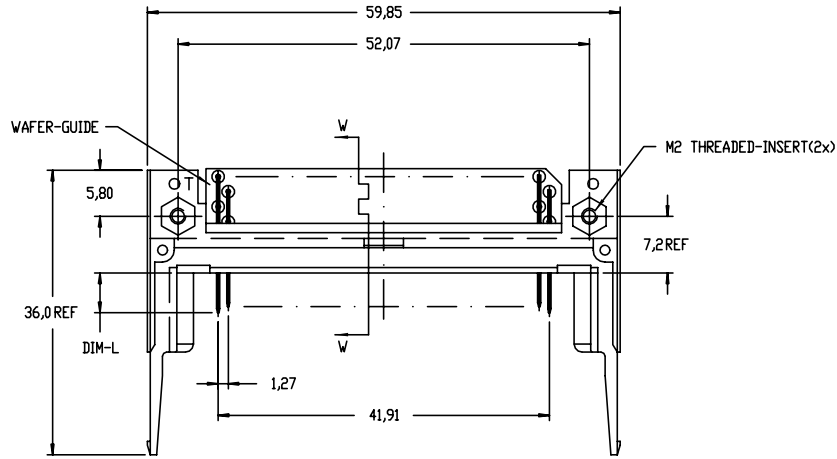
NOTES :

- SEE TA-946 FOR PCB LAYOUT.
- MATERIAL :  
PLASTIC : HIGH TEMPERATURE THERMOPLASTIC UL94V-0  
PIN : PHOSPHOR BRONZE
- FINISH (PIN) :  
UNDER-PLATING : 0,5 µm MIN. Ni  
CONTACT AREA : 0,076 µm MIN. GOLD  
SOLDER AREA : 2,5µm MIN. Sn-Pb
- ④ TRUE POSITION IS A FREE GRID TO THE PIN PATTERN ITSELF.
- PRODUCT SPEC:110-263

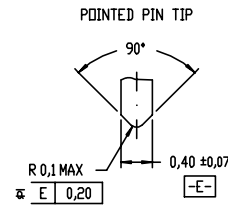
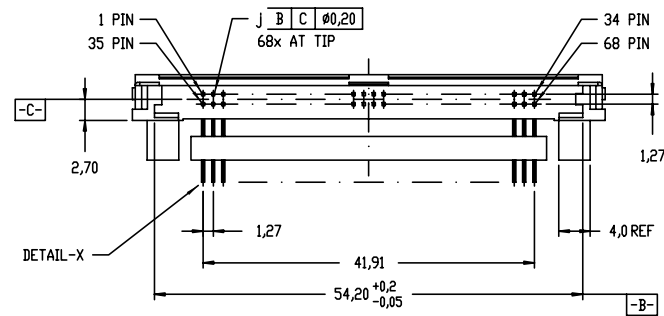
PIN NO.	36 , 67	1 , 17 , 34 35 , 51 , 68	OTHERS
DIM-L	3,50 ± 0,10	5,00 ± 0,10	4,25 ± 0,10

mat'l. code	surface ISO1302 ✓	tolerance ISO1101 ISO406	projection MM	product family PCMCIA
l trechn nodr	date	tolerances unless otherwise specified	scale N.T.S.	title 68P EJECTOR HEADER ASSEMBLY FOR PCMCIA/JEIDA TYPE-I/II/III :HEADER ASSEMBLY
F		angle 0°±2'	scale N.T.S.	dwg no 92856
		dr L T SOH	12/05/96	sheet 6 of 17 size A4
		enr L T SOH	12/05/96	type Product Customer Drawing
		chr L T SOH	12/05/96	
		appd L T SOH	12/05/96	
sheet index	revision sheet			

PRODUCT NO.	MOUNTING STYLE	COLOR	SOLDER-TAIL STYLE	STAND-OFF	MOUNTING SUPPORT	BOARD LOCATOR
92856-020	TOP-MOUNT	BLACK	THRU-HOLE, R/A	5 mm	NO	NO



SECTION A-A (SCALE 3 : 1)



DETAIL-X (SCALE 15 : 1)

NOTES :

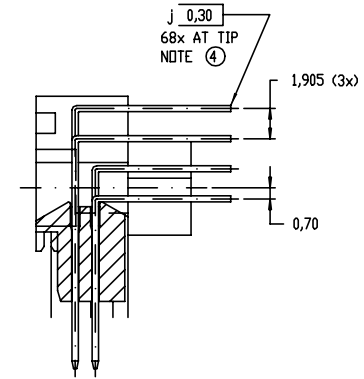
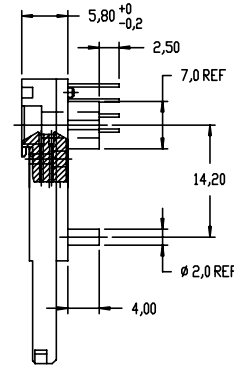
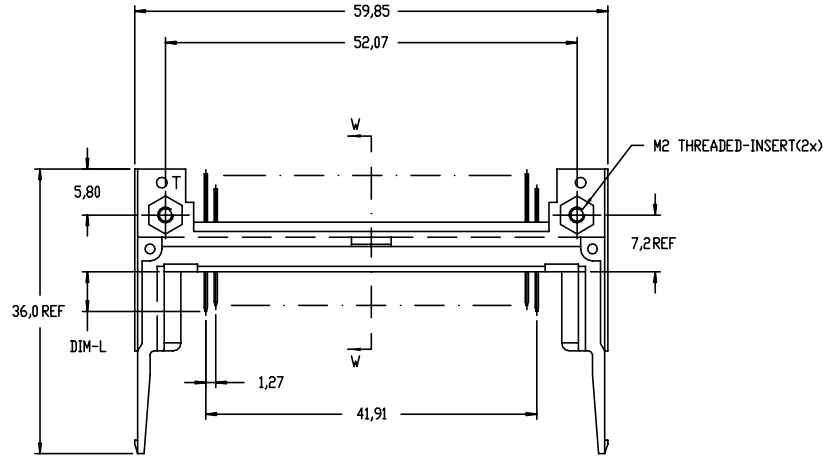
- SEE TA-946 FOR PCB LAYOUT.
- MATERIAL :  
PLASTIC : HIGH TEMPERATURE THERMOPLASTIC UL94V-0  
PIN : PHOSPHOR BRONZE
- FINISH (PIN) :  
UNDER-PLATING : 0,5 µm MIN. Ni  
CONTACT AREA : 0,076 µm MIN. GOLD  
SOLDER AREA : 2,5µm MIN. Sn-Pb
- TRUE POSITION IS A FREE GRID TO THE PIN PATTERN ITSELF.
- PRODUCT SPEC:110-263

PIN NO.	36 , 67	1 , 17 , 34 35 , 51 , 68	OTHERS
DIM-L	3,50 ± 0,10	5,00 ± 0,10	4,25 ± 0,10

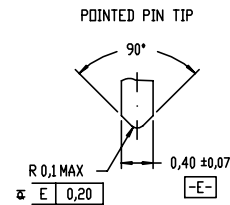
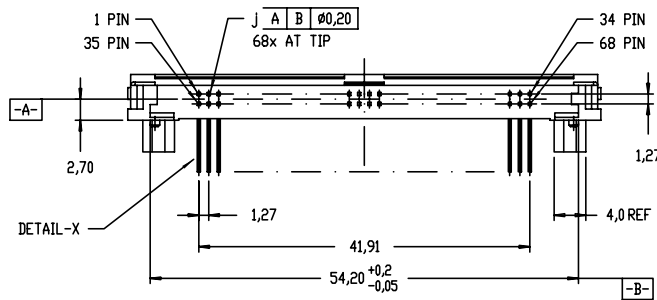
mat'l. code	surface ISO1302 ✓	tolerance ISO1101 ISO406	projection MM	product family PCMCIA
ltr ecn nodr date	tolerances unless otherwise specified		MM	title 68P EJECTOR HEADER ASSEMBLY FOR PCMCIA/JEIDA TYPE-I/II/III :HEADER ASSEMBLY
F	angle 0°±2'	±0.3	scale N.T.S.	dwg no 92856
	dr L T SOH	12/05/96		sheet 7 of 17 size A4
	enr L T SOH	12/05/96		
	chr L T SOH	12/05/96		
	appd L T SOH	12/05/96		
sheet index	revision sheet			type Product Customer Drawing



PRODUCT NO.	MOUNTING STYLE	COLOR	SOLDER-TAIL STYLE	STAND-OFF	MOUNTING SUPPORT	BOARD LOCATOR
92856-010	TOP-MOUNT	BLACK	THRU-HOLE, R/A	4 mm	4 mm	NO



SECTION A-A (SCALE 3 : 1)



DETAIL-X (SCALE 15 : 1)

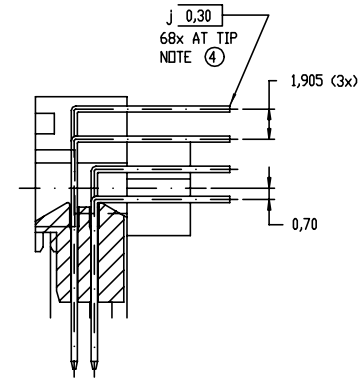
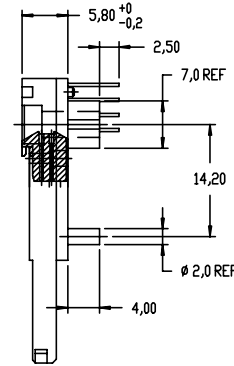
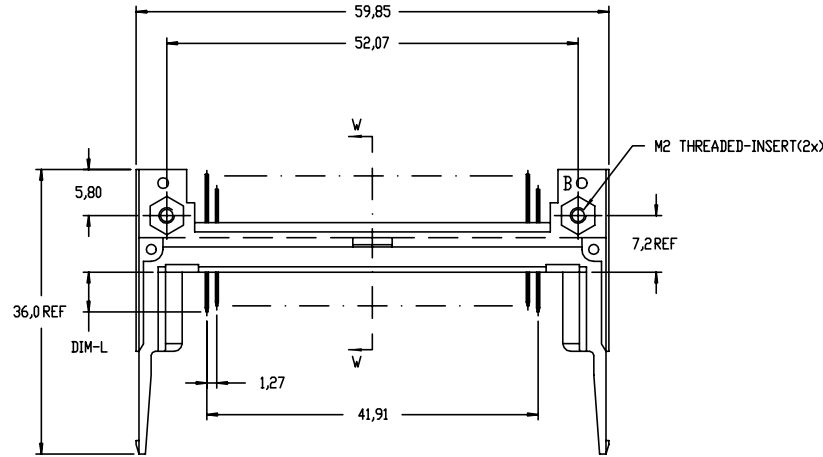
NOTES :

- SEE TA-946 FOR PCB LAYOUT.
- MATERIAL :  
PLASTIC : HIGH TEMPERATURE THERMOPLASTIC UL94V-0  
PIN : PHOSPHOR BRONZE
- FINISH (PIN) :  
UNDER-PLATING : 0,5 µm MIN. NI  
CONTACT AREA : 0,076 µm MIN. GOLD  
SOLDER AREA : 2,5µm MIN. Sn-Pb
- TRUE POSITION IS A FREE GRID TO THE PIN PATTERN ITSELF.
- PRODUCT SPEC110-263

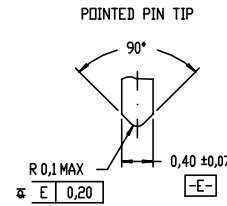
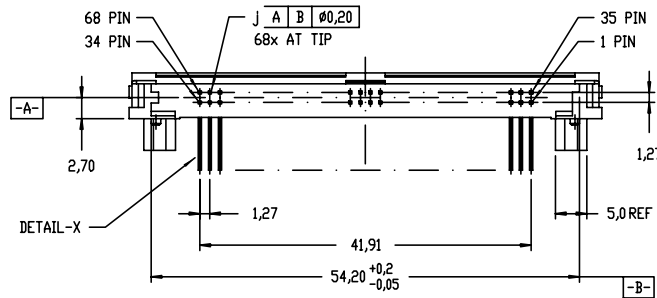
PIN NO.	36 , 67	1 , 17 , 34 35 , 51 , 68	OTHERS
DIM-L	3,50 ± 0,10	5,00 ± 0,10	4,25 ± 0,10

mat'l. code	surface ISO1302 ✓	tolerance ISO1101 ISO406	projection MM	product family PCMCIA
l trechn nodr	date	tolerances unless otherwise specified	scale N.T.S.	title 68P EJECTOR HEADER ASSEMBLY FOR PCMCIA/JEIDA TYPE-I/II/III :HEADER ASSEMBLY
F	angle 0°±2'	±0.3	MM	dwg no 92856
	dr L T SOH	12/05/96	scale	sheet 8 of 17 size A4
	engr L T SOH	12/05/96	FCI	type Product Customer Drawing
	chr L T SOH	12/05/96		
	appd L T SOH	12/05/96		
sheet index	revision sheet			

PRODUCT NO.	MOUNTING STYLE	COLOR	SOLDER-TAIL STYLE	STAND-OFF	MOUNTING SUPPORT	BOARD LOCATOR
92856-510	BOTTOM-MOUNT	NATURAL	THRU-HOLE, R/A	4 mm	4 mm	NO



SECTION A-A (SCALE 3 : 1)



DETAIL-X (SCALE 15 : 1)

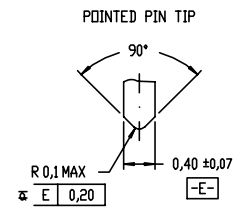
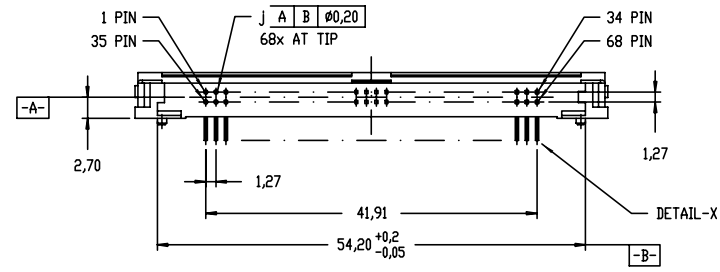
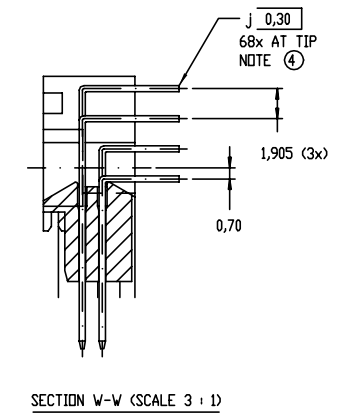
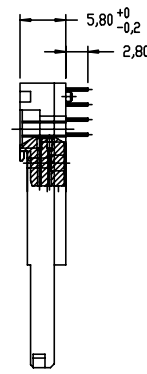
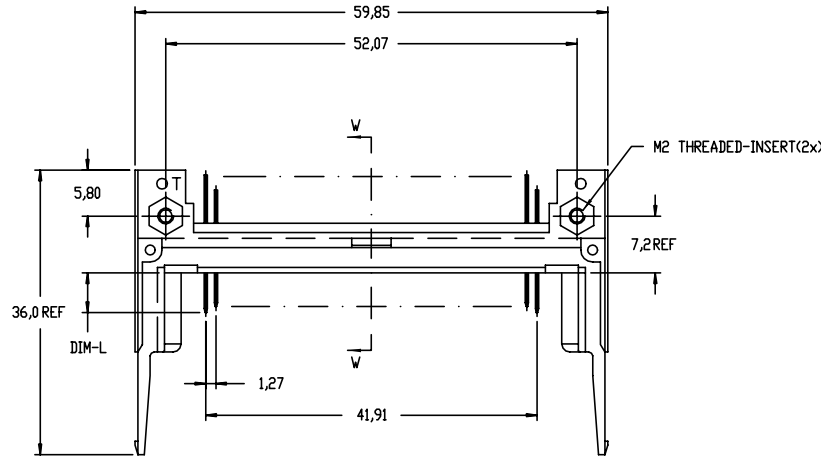
NOTES :

- SEE TA-946 FOR PCB LAYOUT.
- MATERIAL :  
PLASTIC : HIGH TEMPERATURE THERMOPLASTIC UL94V-0  
PIN : PHOSPHOR BRONZE
- FINISH (PIN) :  
UNDER-PLATING : 0,5 µm MIN. NI  
CONTACT AREA : 0,076 µm MIN. GOLD  
SOLDER AREA : 2,5µm MIN. Sn-Pb
- TRUE POSITION IS A FREE GRID TO THE PIN PATTERN ITSELF.
- PRODUCT SPEC:110-263

PIN NO.	36 , 67	1 , 17 , 34 35 , 51 , 68	OTHERS
DIM-L	3,50 ± 0,10	5,00 ± 0,10	4,25 ± 0,10

mat'l. code	surface ISO1302 ✓	tolerance ISO1101 ISO406	projection MM	product family PCMCIA
l'tecn nodr	date	tolerances unless otherwise specified	scale N.T.S.	title 68P EJECTOR HEADER ASSEMBLY FOR PCMCIA/JEIDA TYPE-I/II/III :HEADER ASSEMBLY
F		angle 0°±2'	scale N.T.S.	dwg no 92856
		dr L T SOH 12/05/96		sheet 9 of 17 size A4
		enr L T SOH 12/05/96		
		chr L T SOH 12/05/96		
		appd L T SOH 12/05/96		
sheet index	revision sheet			type Product Customer Drawing

PRODUCT NO.	MOUNTING STYLE	COLOR	SOLDER-TAIL STYLE	STAND-OFF	MOUNTING SUPPORT	BOARD LOCATOR
92856-000	TOP-MOUNT	BLACK	THRU-HOLE, R/A	NO	NO	NO



DETAIL-X (SCALE 15:1)

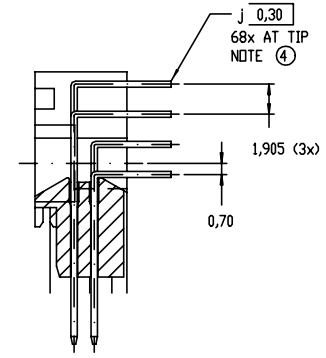
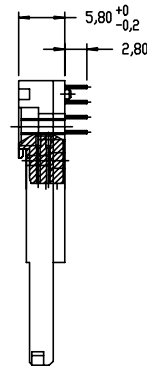
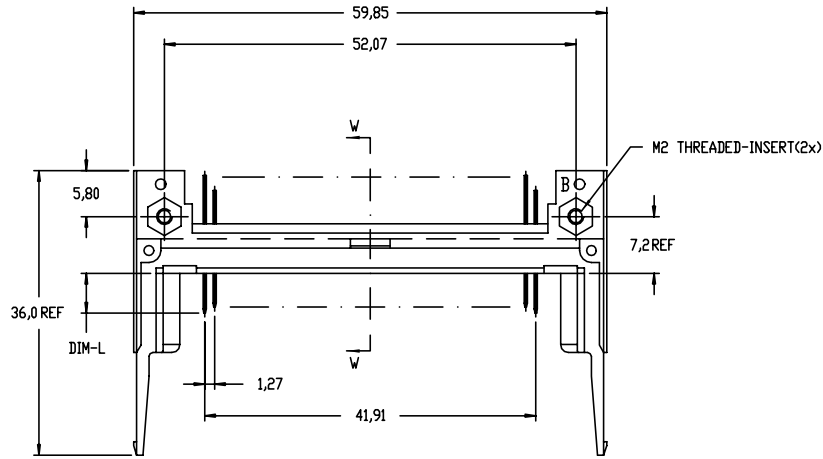
NOTES :

- SEE TA-946 FOR PCB LAYOUT.
- MATERIAL :  
PLASTIC : HIGH TEMPERATURE THERMOPLASTIC UL94V-0  
PIN : PHOSPHOR BRONZE
- FINISH (PIN) :  
UNDER-PLATING : 0,5 µm MIN. Ni  
CONTACT AREA : 0,076 µm MIN. GOLD  
SOLDER AREA : 2,5µm MIN. Sn-Pb
- TRUE POSITION IS A FREE GRID TO THE PIN PATTERN ITSELF.
- PRODUCT SPEC:110-263

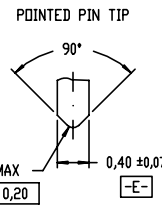
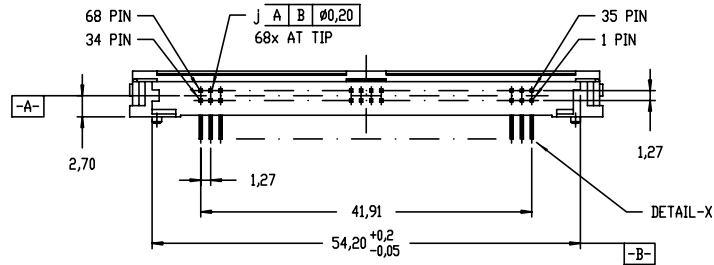
PIN NO.	36 , 67	1 , 17 , 34 35 , 51 , 68	OTHERS
DIM-L	3,50 ± 0,10	5,00 ± 0,10	4,25 ± 0,10

mat'l. code	surface ISO1302 ✓	tolerance ISO1101 ISO406	projection MM	product family PCMCIA
ltr ecn nodr	date	tolerances unless otherwise specified	scale N.T.S.	title 68P EJECTOR HEADER ASSEMBLY FOR PCMCIA/JEIDA TYPE-I/II/III :HEADER ASSEMBLY
F		angle 0°±2'		dwg no 92856
		dr L T SOH	12/05/96	sheet 10 of 17 size A4
		engr L T SOH	12/05/96	
		chr L T SOH	12/05/96	
		appd L T SOH	12/05/96	
sheet index	revision sheet			type Product Customer Drawing

PRODUCT NO.	MOUNTING STYLE	COLOR	SOLDER-TAIL STYLE	STAND-OFF	MOUNTING SUPPORT	BOARD LOCATOR
92856-500	BOTTOM-MOUNT	NATURAL	THRU-HOLE, R/A	NO	NO	NO



SECTION W-W (SCALE 3 : 1)



DETAIL-X (SCALE 15 : 1)

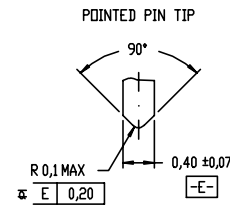
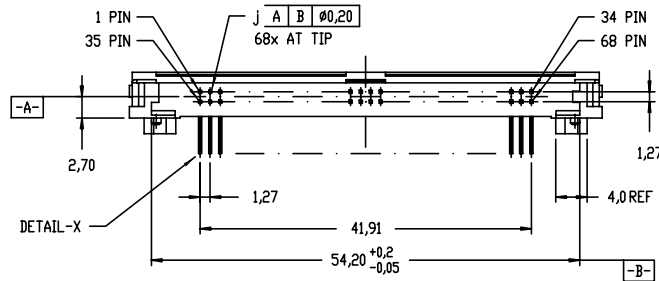
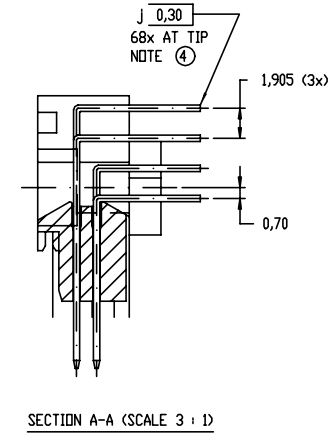
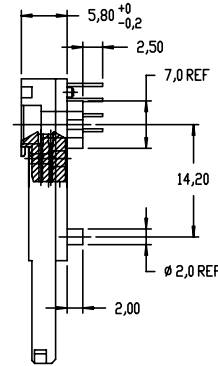
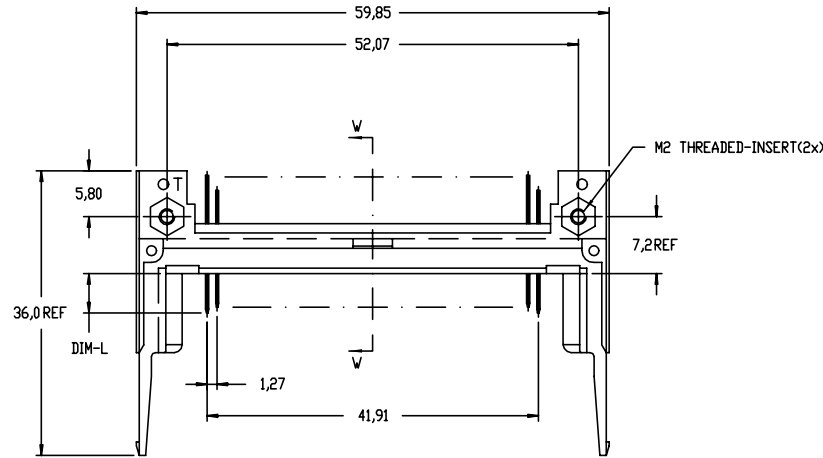
NOTES :

- SEE TA-946 FOR PCB LAYOUT.
- MATERIAL :  
PLASTIC : HIGH TEMPERATURE THERMOPLASTIC UL94V-0  
PIN : PHOSPHOR BRONZE
- FINISH (PIN) :  
UNDER-PLATING : 0,5 µm MIN. NI  
CONTACT AREA : 0,076 µm MIN. GOLD  
SOLDER AREA : 2,5µm MIN. Sn-Pb
- TRUE POSITION IS A FREE GRID TO THE PIN PATTERN ITSELF.
- PRODUCT SPEC:110-263

PIN NO.	36 , 67	1 , 17 , 34 35 , 51 , 68	OTHERS
DIM-L	3,50 ± 0,10	5,00 ± 0,10	4,25 ± 0,10

mat'l. code	surface ISO1302 ✓	tolerance ISO1101 ISO406	projection MM	product family PCMCIA
ltr ecn nodr date	tolerances unless otherwise specified		scale N.T.S.	title 68P EJECTOR HEADER ASSEMBLY FOR PCMCIA/JEIDA TYPE-I/II/III :HEADER ASSEMBLY
F	angle 0°±2'	±0.3	MM	dwg no 92856
	dr L T SOH	12/05/96	FCI	sheet 11 of 17 size A4
	enr L T SOH	12/05/96		type Product Customer Drawing
	chr L T SOH	12/05/96		
	appd L T SOH	12/05/96		
sheet index	revision sheet			

PRODUCT NO.	MOUNTING STYLE	COLOR	SOLDER-TAIL STYLE	STAND-OFF	MOUNTING SUPPORT	BOARD LOCATOR
92856-040	TOP-MOUNT	BLACK	THRU-HOLE, R/A	2 mm	2 mm	NO



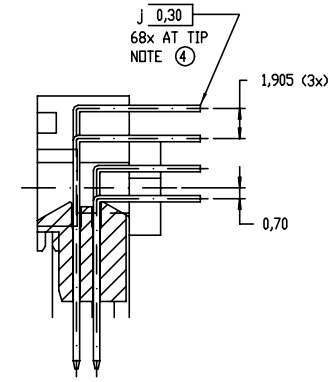
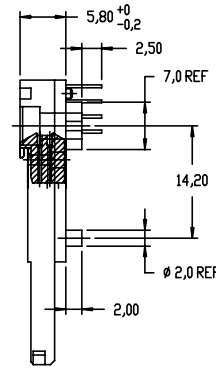
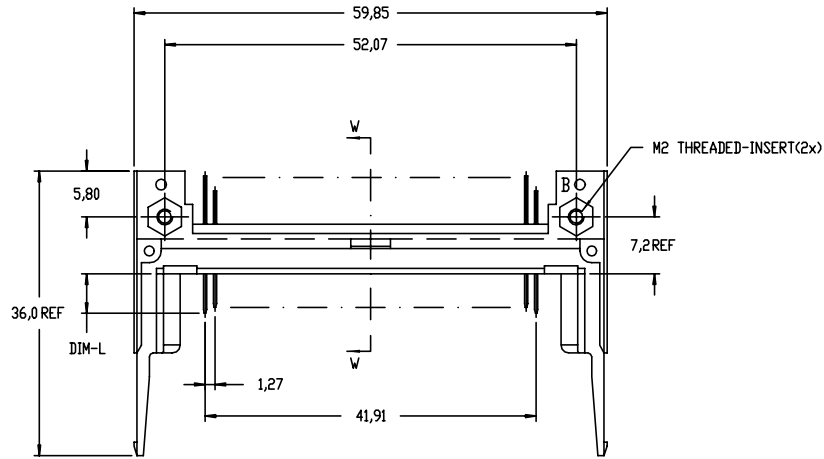
NOTES :

- SEE TA-946 FOR PCB LAYOUT.
- MATERIAL :  
PLASTIC : HIGH TEMPERATURE THERMOPLASTIC UL94V-0  
PIN : PHOSPHOR BRONZE
- FINISH (PIN) :  
UNDER-PLATING : 0,5  $\mu$ m MIN. NI  
CONTACT AREA : 0,076  $\mu$ m MIN. GOLD  
SOLDER AREA : 2,5  $\mu$ m MIN. Sn-Pb
- TRUE POSITION IS A FREE GRID TO THE PIN PATTERN ITSELF.
- PRODUCT SPEC110-263

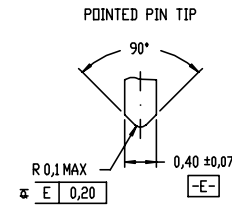
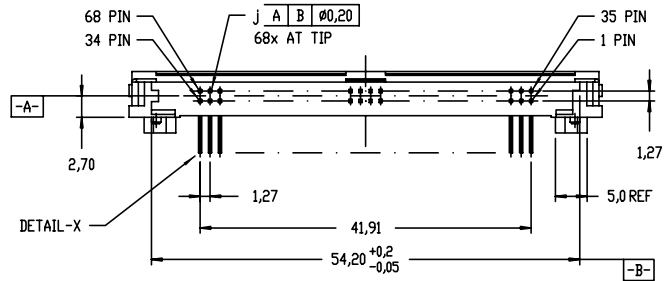
PIN NO.	36, 67	1, 17, 34 35, 51, 68	OTHERS
DIM-L	3,50 ± 0,10	5,00 ± 0,10	4,25 ± 0,10

mat'l. code	surface ISO1302	tolerance ISO1101 ISO406	projection MM	product family PCMCIA
ltr ecn nodr	date	tolerances unless otherwise specified	scale N.T.S.	title 68P EJECTOR HEADER ASSEMBLY FOR PCMCIA/JEIDA TYPE-I/II/III : HEADER ASSEMBLY
F		angle 0° ± 2'	scale N.T.S.	dwg no 92856
	dr	L T SOH	12/05/96	sheet 12 of 17
	enr	L T SOH	12/05/96	size A4
	chr	L T SOH	12/05/96	type Product Customer Drawing
	appd	L T SOH	12/05/96	
sheet index	revision sheet			

PRODUCT NO.	MOUNTING STYLE	COLOR	SOLDER-TAIL STYLE	STAND-OFF	MOUNTING SUPPORT	BOARD LOCATOR
92856-540	BOTTOM-MOUNT	NATURAL	THRU-HOLE, R/A	2 mm	2 mm	NO



SECTION A-A (SCALE 3 : 1)



DETAIL-X (SCALE 15 : 1)

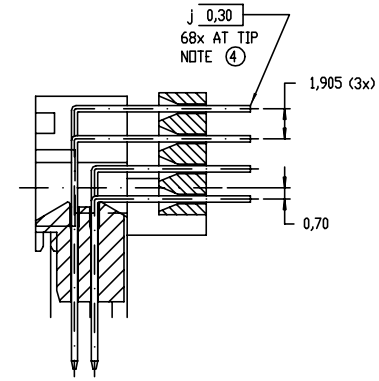
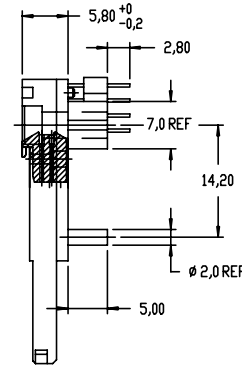
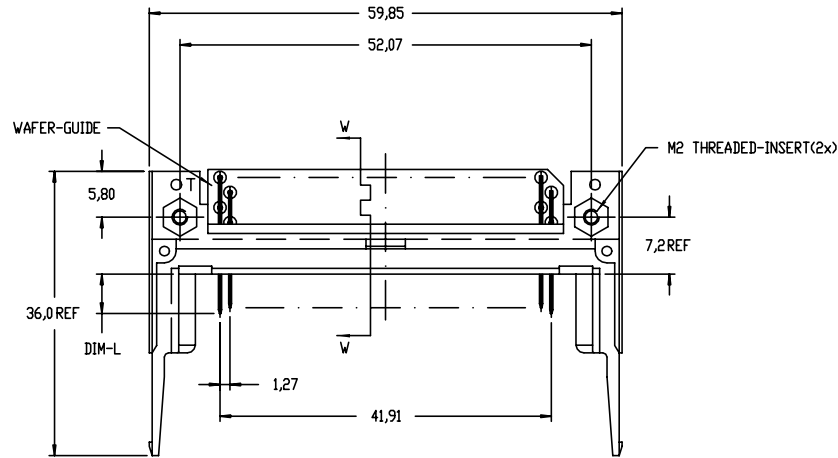
NOTES :

- SEE TA-946 FOR PCB LAYOUT.
- MATERIAL :  
PLASTIC : HIGH TEMPERATURE THERMOPLASTIC UL94V-0  
PIN : PHOSPHOR BRONZE
- FINISH (PIN) :  
UNDER-PLATING : 0,5 µm MIN. NI  
CONTACT AREA : 0,076 µm MIN. GOLD  
SOLDER AREA : 2,5µm MIN. Sn-Pb
- TRUE POSITION IS A FREE GRID TO THE PIN PATTERN ITSELF.
- PRODUCT SPEC:110-263

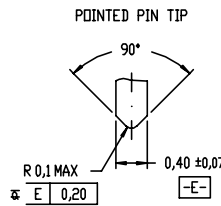
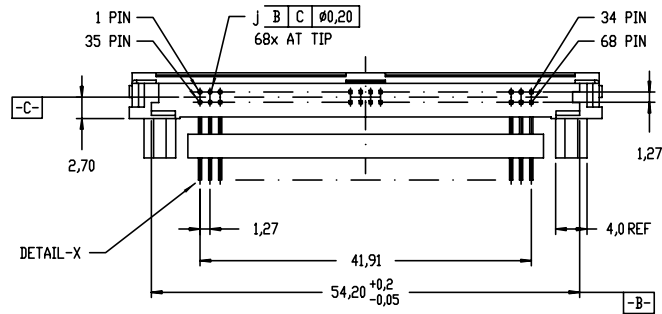
PIN NO.	36 , 67	1 , 17 , 34 35 , 51 , 68	OTHERS
DIM-L	3,50 ± 0,10	5,00 ± 0,10	4,25 ± 0,10

mat'l. code	surface ISO1302 ✓	tolerance ISO1101 ISO406	projection MM	product family PCMCIA
l'tecn nodr	date	tolerances unless otherwise specified	scale N.T.S.	title 68P EJECTOR HEADER ASSEMBLY FOR PCMCIA/JEIDA TYPE-I/II/III :HEADER ASSEMBLY
F		angle 0°±2'	scale N.T.S.	dwg no 92856
	dr	L T SOH	12/05/96	sheet 13 of 17
	enr	L T SOH	12/05/96	size A4
	chr	L T SOH	12/05/96	type Product Customer Drawing
	appd	L T SOH	12/05/96	
sheet index	revision sheet			

PRODUCT NO.	MOUNTING STYLE	COLOR	SOLDER-TAIL STYLE	STAND-OFF	MOUNTING SUPPORT	BOARD LOCATOR
92856-020	TOP-MOUNT	BLACK	THRU-HOLE, R/A	5 mm	5 mm	NO



SECTION A-A (SCALE 3 : 1)



DETAIL-X (SCALE 15 : 1)

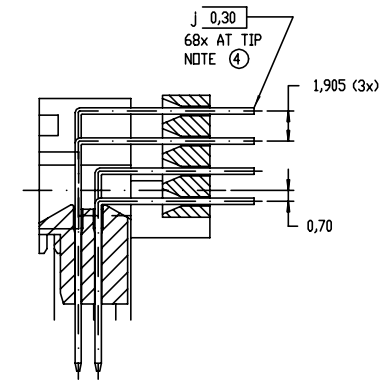
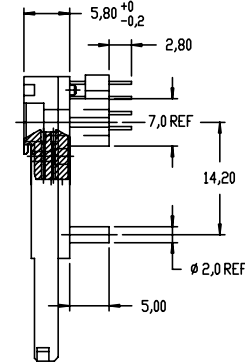
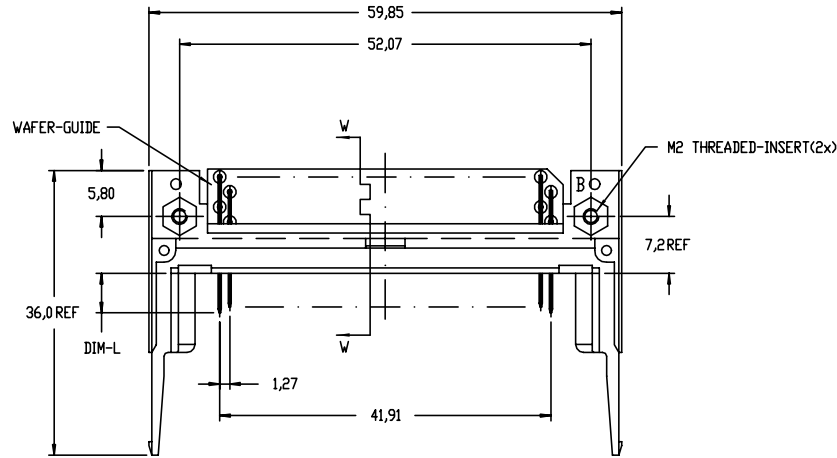
NOTES :

- SEE TA-946 FOR PCB LAYOUT.
- MATERIAL :  
PLASTIC : HIGH TEMPERATURE THERMOPLASTIC UL94V-0  
PIN : PHOSPHOR BRONZE
- FINISH (PIN) :  
UNDER-PLATING : 0.5  $\mu$ m MIN. NI  
CONTACT AREA : 0.076  $\mu$ m MIN. GOLD  
SOLDER AREA : 2.5 $\mu$ m MIN. Sn-Pb
- TRUE POSITION IS A FREE GRID TO THE PIN PATTERN ITSELF.
- PRODUCT SPEC:110-263

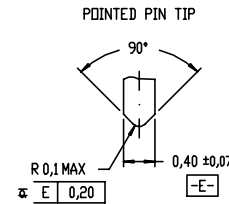
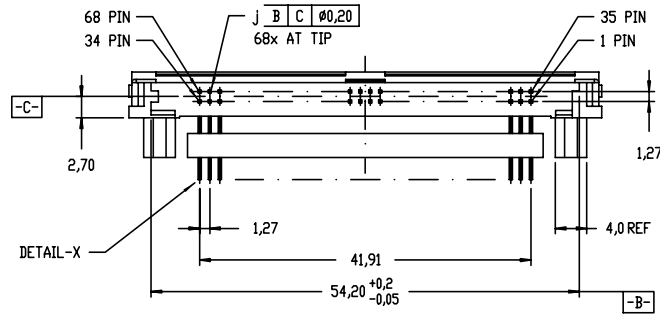
mat'l. code	surface	tolerance	projection	product family
	ISO1302	ISO1101 ISO406		PCMCIA
ltr ecn nodr	date	tolerances unless otherwise specified	MM	68P EJECTOR HEADER ASSEMBLY
F		angle	scale	FOR PCMCIA/JEIDA TYPE-I/II/III :HEADER ASSEMBLY
		0°±2'	N.T.S.	dwg no
	dr	L T SOH	12/05/96	sheet 14 of 17
	engr	L T SOH	12/05/96	size
	chr	L T SOH	12/05/96	A4
	appd	L T SOH	12/05/96	92856
sheet	revision			type Product Customer Drawing
index	sheet			

PIN NO.	36 , 67	1 , 17 , 34 35 , 51 , 68	OTHERS
DIM-L	3,50 ± 0,10	5,00 ± 0,10	4,25 ± 0,10

PRODUCT NO.	MOUNTING STYLE	COLOR	SOLDER-TAIL STYLE	STAND-OFF	MOUNTING SUPPORT	BOARD LOCATOR
92856-520	BOTTOM-MOUNT	NATURAL	THRU-HOLE, R/A	5 mm	5 mm	NO



SECTION A-A (SCALE 3 : 1)



DETAIL-X (SCALE 15 : 1)

NOTES :

- SEE TA-946 FOR PCB LAYOUT.
- MATERIAL :  
PLASTIC : HIGH TEMPERATURE THERMOPLASTIC UL94V-0  
PIN : PHOSPHOR BRONZE
- FINISH (PIN) :  
UNDER-PLATING : 0.5 µm MIN. Ni  
CONTACT AREA : 0.076 µm MIN. GOLD  
SOLDER AREA : 2.5µm MIN. Sn-Pb
- TRUE POSITION IS A FREE GRID TO THE PIN PATTERN ITSELF.
- PRODUCT SPEC110-263

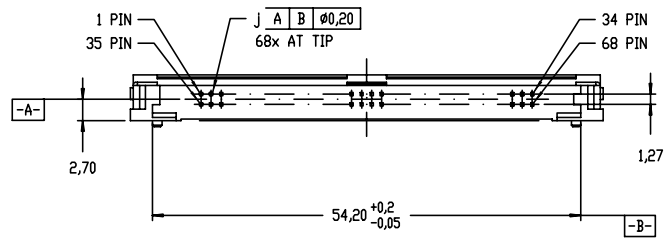
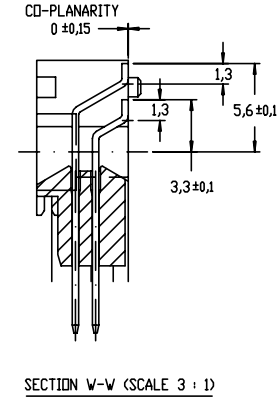
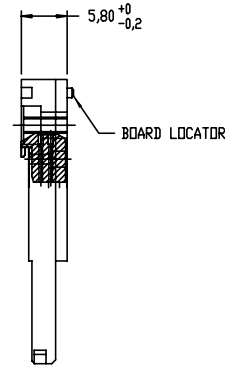
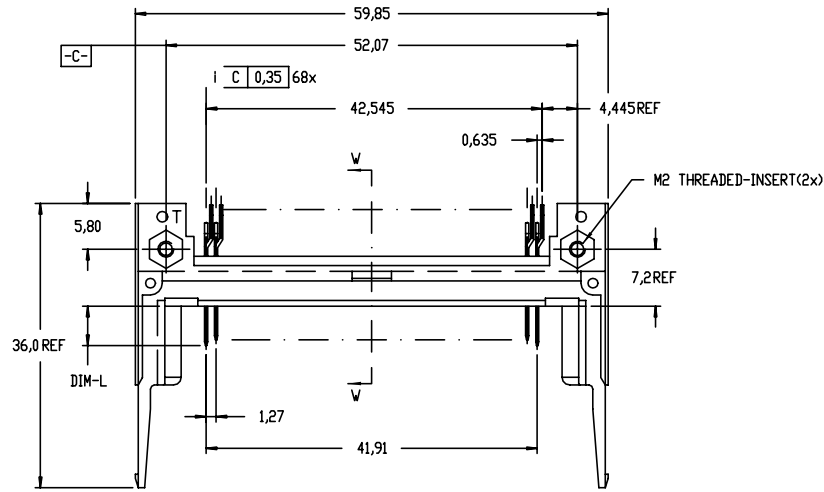
PIN NO.	36 , 67	1 , 17 , 34 35 , 51 , 68	OTHERS
DIM-L	3,50 ± 0,10	5,00 ± 0,10	4,25 ± 0,10

mat'l. code	surface ISO1302 ✓	tolerance ISO1101 ISO406	projection MM	product family PCMCIA
l trechn nodr	date	tolerances unless otherwise specified	scale	title
F		angle 0°±2'	N.T.S.	68P EJECTOR HEADER ASSEMBLY FOR PCMCIA/JEIDA TYPE-I/II/III :HEADER ASSEMBLY
dr	L T SOH	12/05/96		dwg no
enr	L T SOH	12/05/96		sheet 15 of 17
chr	L T SOH	12/05/96		size A4
appd	L T SOH	12/05/96		type Product Customer Drawing
sheet index	revision sheet			





PRODUCT NO.	MOUNTING STYLE	COLOR	SOLDER-TAIL STYLE	STAND-OFF	MOUNTING SUPPORT	BOARD LOCATOR
92856-001	TOP-MOUNT	BLACK	SMT, STAGGERED (DOUBLE-ROW)	NO	NO	YES



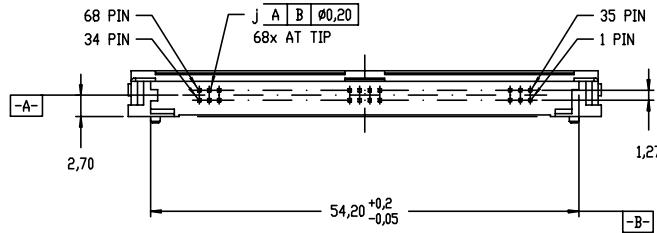
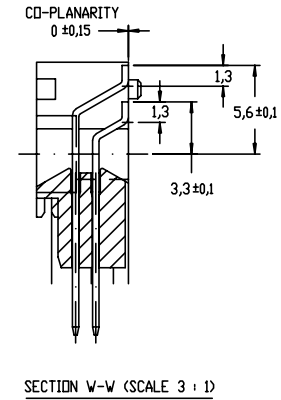
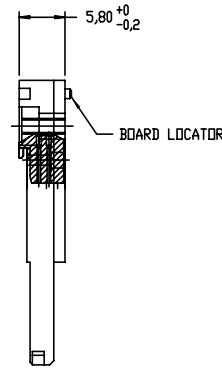
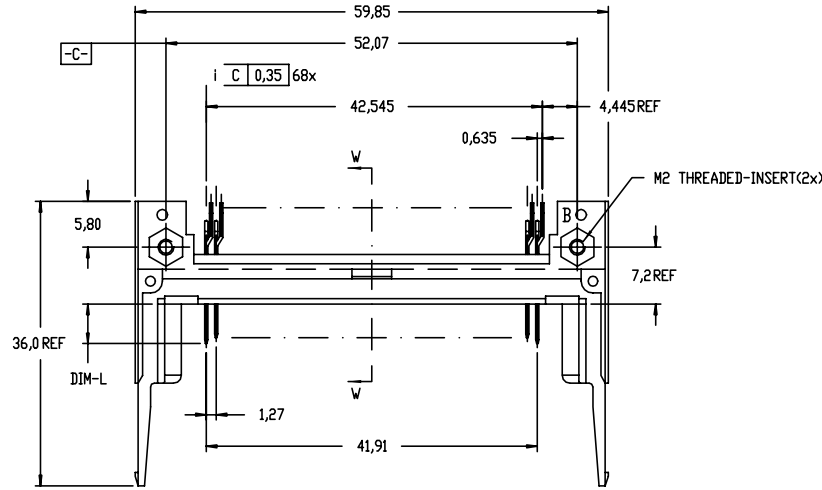
NOTES :

- SEE TA-946 FOR PCB LAYOUT.
- MATERIAL :  
PLASTIC : HIGH TEMPERATURE THERMOPLASTIC UL94V-0  
PIN : PHOSPHOR BRONZE
- FINISH (PIN) :  
UNDER-PLATING : 0.5 µm MIN. NI  
CONTACT AREA : 0.076 µm MIN. GOLD  
SOLDER AREA : 2.5µm MIN. Sn-Pb
- PRODUCT SPEC:110-263

PIN NO.	36 , 67	1 , 17 , 34 35 , 51 , 68	OTHERS
DIM-L	3,50 ± 0,10	5,00 ± 0,10	4,25 ± 0,10

mat'l. code	surface ISO1302 ✓	tolerance ISO1101 ISO406	projection MM	product family PCMCIA
l trechn nodr date	tolerances unless otherwise specified		MM	68P EJECTOR HEADER ASSEMBLY
F	angle 0°±2'	±0.3	scale N.T.S.	FOR PCMCIA/JEIDA TYPE-I/II/III :HEADER ASSEMBLY
	dr L T SOH	12/05/96	FCI	dwg no sheet 16 of 17 size
	enr L T SOH	12/05/96		92856 A4
	chr L T SOH	12/05/96		type Product Customer Drawing
	appd L T SOH	12/05/96		
sheet index	revision sheet			

PRODUCT NO.	MOUNTING STYLE	COLOR	SOLDER-TAIL STYLE	STAND-OFF	MOUNTING SUPPORT	BOARD LOCATOR
92856-501	BOTTOM-MOUNT	NATURAL	SMT, STAGGERED (DOUBLE-ROW)	NO	NO	YES



NOTES :

- SEE TA-946 FOR PCB LAYOUT.
- MATERIAL :  
PLASTIC : HIGH TEMPERATURE THERMOPLASTIC UL94V-0  
PIN : PHOSPHOR BRONZE
- FINISH (PIN) :  
UNDER-PLATING : 0.5 µm MIN. Ni  
CONTACT AREA : 0.076 µm MIN. GOLD  
SOLDER AREA : 2.5µm MIN. Sn-Pb
- PRODUCT SPEC:110-263

PIN NO.	36 , 67	1 , 17 , 34 35 , 51 , 68	OTHERS
DIM-L	3,50 ± 0,10	5,00 ± 0,10	4,25 ± 0,10

mat'l. code	surface ISO1302 ✓	tolerance ISO1101 ISO406	projection MM	product family PCMCIA
l trechn nodr	date	tolerances unless otherwise specified	scale N.T.S.	title 68P EJECTOR HEADER ASSEMBLY FOR PCMCIA/JEIDA TYPE-I/II/III :HEADER ASSEMBLY
F		angle 0°±2'	scale	dwg no 92856
		dr L T SOH	12/05/96	sheet 17 of 17
		enr L T SOH	12/05/96	size A4
		chr L T SOH	12/05/96	type Product Customer Drawing
		appd L T SOH	12/05/96	
sheet index	revision sheet			