



Chipsmall Limited consists of a professional team with an average of over 10 year of expertise in the distribution of electronic components. Based in Hongkong, we have already established firm and mutual-benefit business relationships with customers from,Europe,America and south Asia,supplying obsolete and hard-to-find components to meet their specific needs.

With the principle of “Quality Parts,Customers Priority,Honest Operation,and Considerate Service”,our business mainly focus on the distribution of electronic components. Line cards we deal with include Microchip,ALPS,ROHM,Xilinx,Pulse,ON,Everlight and Freescale. Main products comprise IC,Modules,Potentiometer,IC Socket,Relay,Connector.Our parts cover such applications as commercial,industrial, and automotives areas.

We are looking forward to setting up business relationship with you and hope to provide you with the best service and solution. Let us make a better world for our industry!



## Contact us

Tel: +86-755-8981 8866 Fax: +86-755-8427 6832

Email & Skype: info@chipsmall.com Web: www.chipsmall.com

Address: A1208, Overseas Decoration Building, #122 Zhenhua RD., Futian, Shenzhen, China

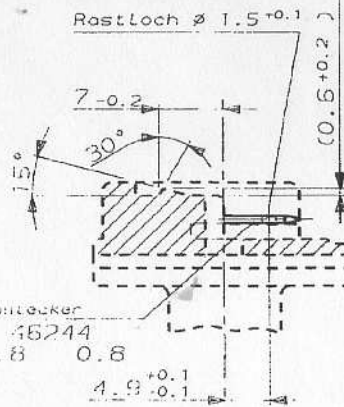


CAD-Original  
Zeichnung nicht ändern

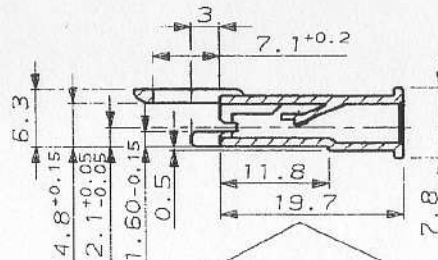
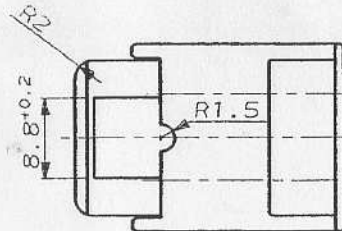
Zeichnung geschätzt durch  
© Copyright 1986  
AMP DEUTSCHLAND GmbH  
Alle Rechte vorbehalten

Index	Änderung	Tag	Name
B	ECR-08-003852	02/08	Lan

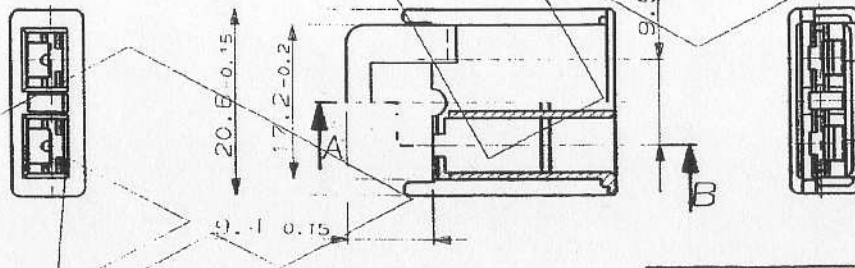
im Werkzeug angepaßt



Flachmutter  
DIN 46244  
A 4.8 0.8



Schnitt A-B



### Bemerkungen

- 1 Funktion gewährleistet mit AMP "FASTON"-Steckhülse 5-160 430-4 Drahtgrößenbereich 0.5 - 1.5 mm<sup>2</sup> Isolations  $\phi$  2.3 - 3.3 mm Anschlagwerkzeug muß auf die PTFE isolierten Leitungen (ZF Norm: ZFB 968 und TL 6145-11) abgestimmt werden

		AMP		AMP DEUTSCHE ANL G.m.b.H. Langen b.Film., West Germany	
		Benennung		2 pol. PIP POD Gehäuse für 4.8mm Steckhülse	
928673-1	ZYTEL E103 HSL	natur			
Bestell-Nr.	Werkstoff	Oberfläche	Nicht tolerierte Maße	Format	Zeichnungs-Nr.
		lamba	± 0.2 mm	A3	928673
Dat. 17.12.86	Gepr. 17.12.86	Gepr.	± 1		
S.CZERR	J.RYLL		Maßstab 2:1		Blatt Nr. 1 von 1

**K**