



Chipsmall Limited consists of a professional team with an average of over 10 year of expertise in the distribution of electronic components. Based in Hongkong, we have already established firm and mutual-benefit business relationships with customers from,Europe,America and south Asia,supplying obsolete and hard-to-find components to meet their specific needs.

With the principle of “Quality Parts,Customers Priority,Honest Operation,and Considerate Service”,our business mainly focus on the distribution of electronic components. Line cards we deal with include Microchip,ALPS,ROHM,Xilinx,Pulse,ON,Everlight and Freescale. Main products comprise IC,Modules,Potentiometer,IC Socket,Relay,Connector.Our parts cover such applications as commercial,industrial, and automotives areas.

We are looking forward to setting up business relationship with you and hope to provide you with the best service and solution. Let us make a better world for our industry!



Contact us

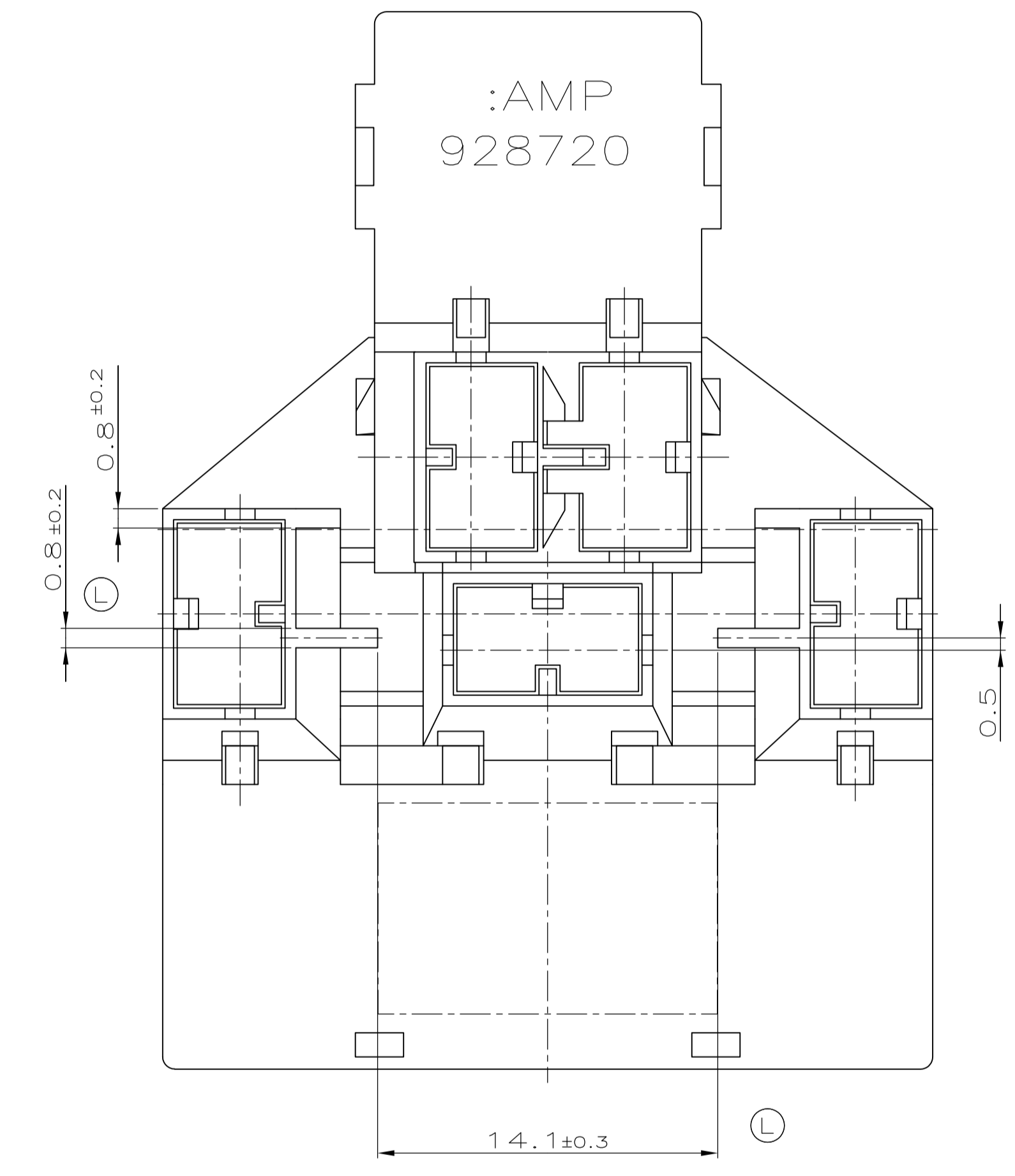
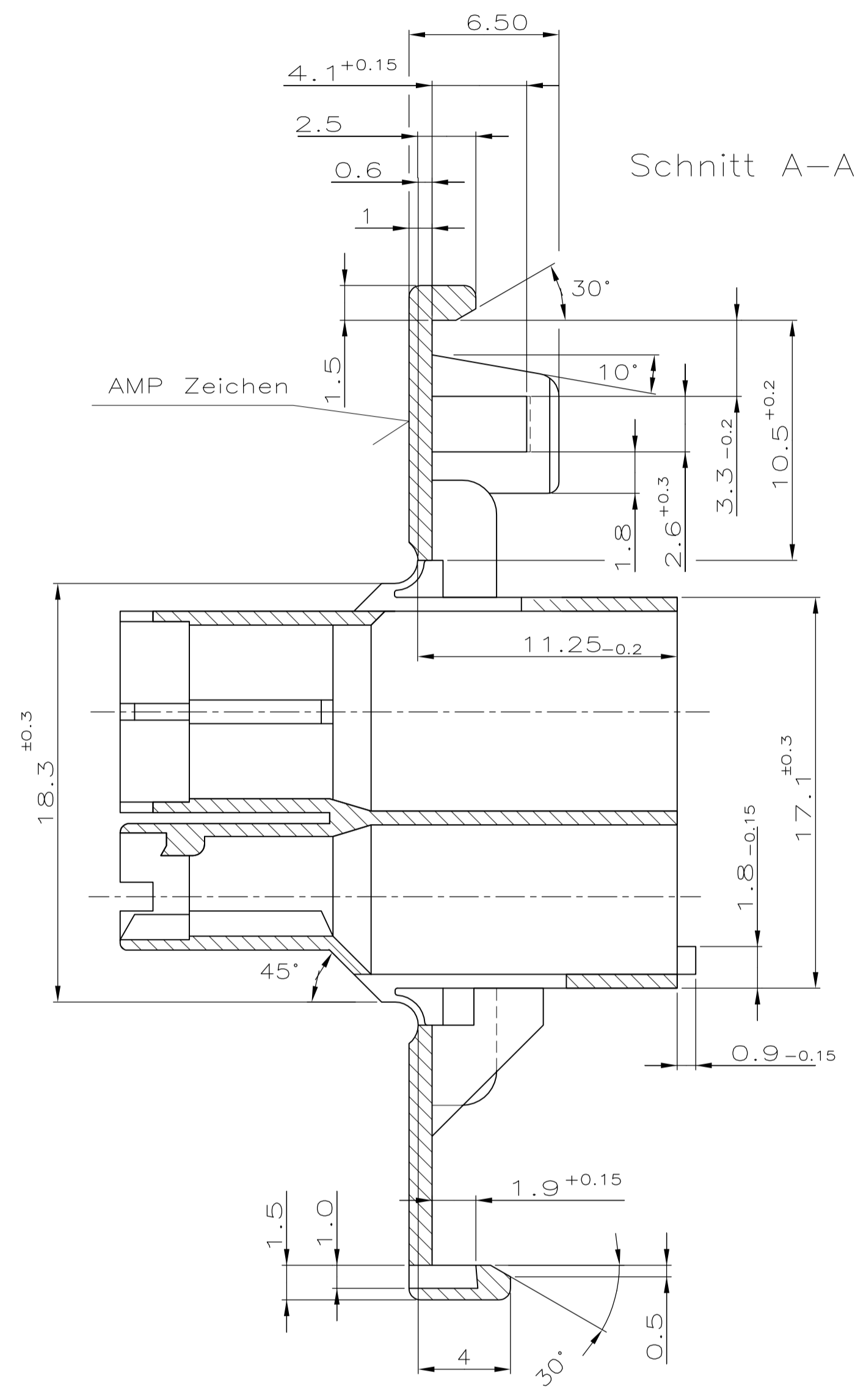
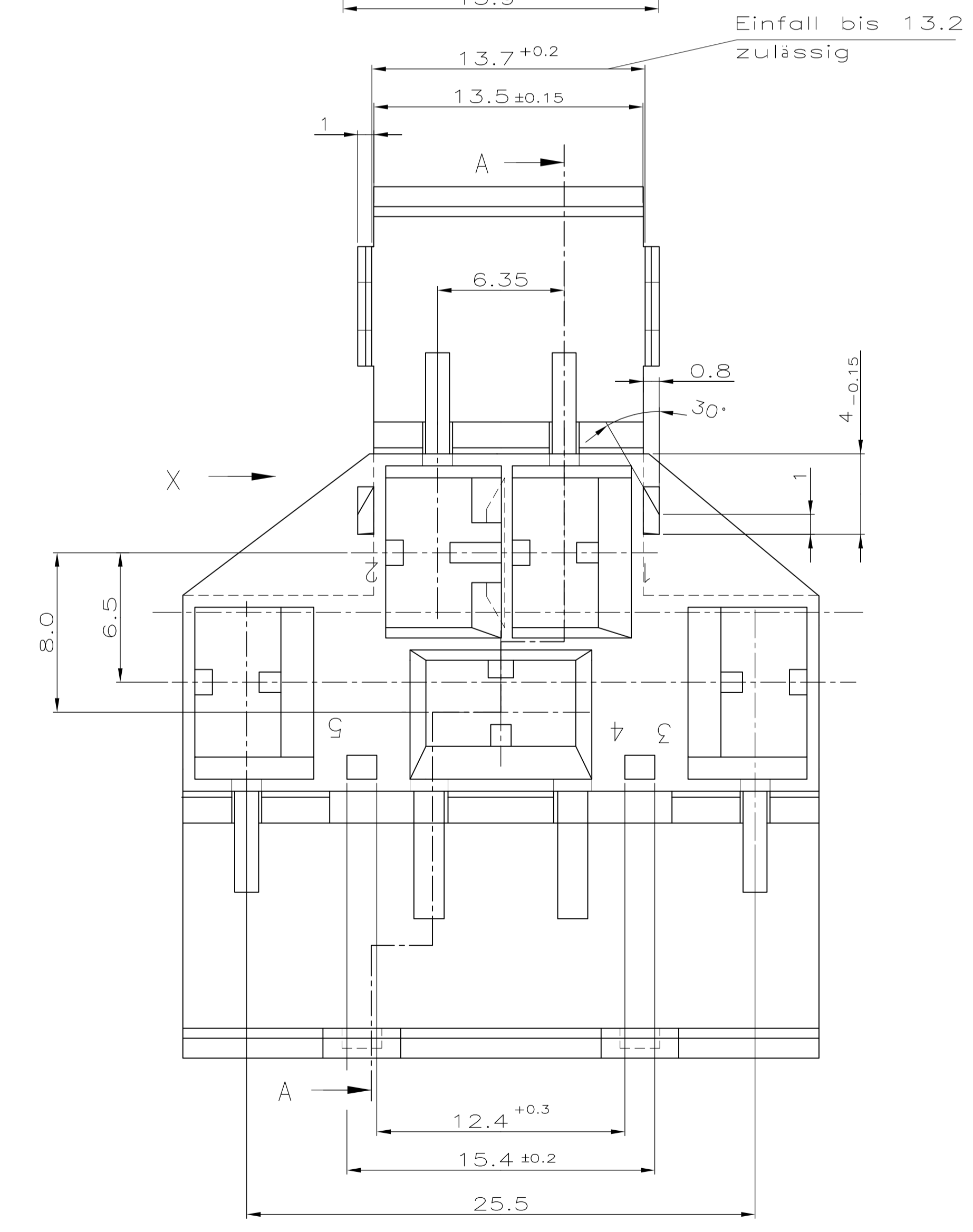
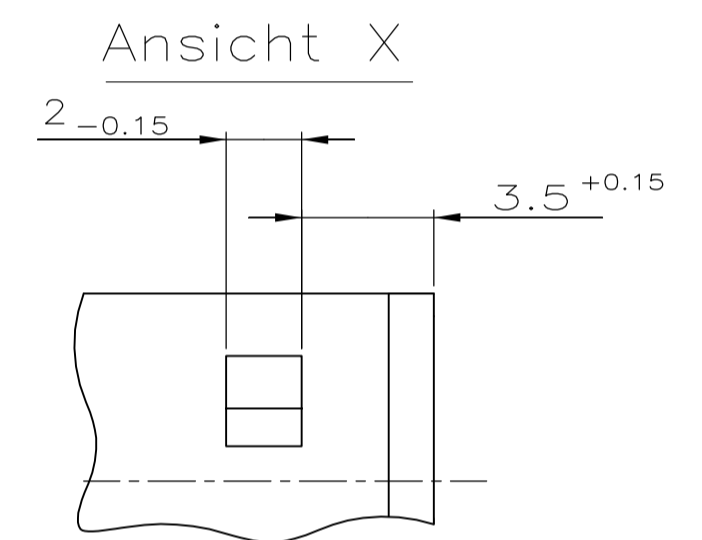
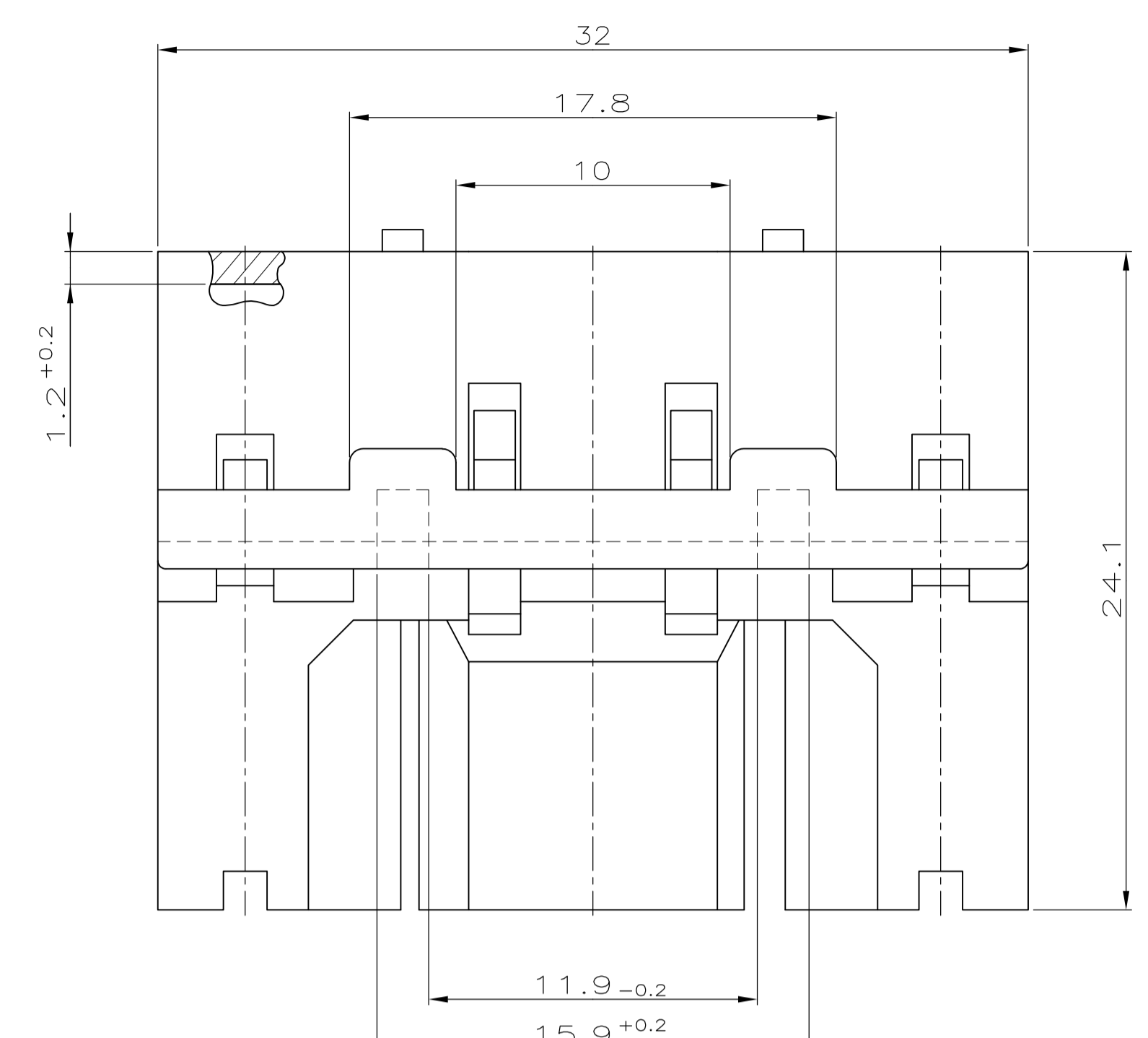
Tel: +86-755-8981 8866 Fax: +86-755-8427 6832

Email & Skype: info@chipsmall.com Web: www.chipsmall.com

Address: A1208, Overseas Decoration Building, #122 Zhenhua RD., Futian, Shenzhen, China



LOC	DIST	REVISIONS			
		NO.	DESCRIPTION	DATE	BY
A1	-	D	Rastnase in Kammer 4 erh	01.11.94	Thiel
		E	Wand zwischen Kammer 1 und 2 verst	13.10.95	Sche
		L	Verstärkungsrippen	02-JUN-99	G.K
		L1	928720-4 NEW/NEU	06-JUL-99	S.HOTEA
		L2	REVISED PER ECO-09-024717	04NOV09	KK AEG



⚠ OBSOLETE PARTS: OBSOLETE CIS STREAMLINING PER D.RENAUD/D.SINISI

REV	REV	PCS	MATERIAL	COLOR
928720-4	L		PA 6.6 trocken schlagzah	BLUE/BLAU
928720-3	L			RED/ROT
928720-2	L			NATURAL/NATUR
928720-1	L			BLACK/SCHWARZ

AMP PART NO	REV	PCS	MATERIAL	COLOR
928720-4	L		PA 6.6 trocken schlagzah	BLUE/BLAU

AMP PART NO	REV	PCS	MATERIAL	COLOR
928720-4	L		PA 6.6 trocken schlagzah	BLUE/BLAU