



Chipsmall Limited consists of a professional team with an average of over 10 year of expertise in the distribution of electronic components. Based in Hongkong, we have already established firm and mutual-benefit business relationships with customers from,Europe,America and south Asia,supplying obsolete and hard-to-find components to meet their specific needs.

With the principle of “Quality Parts,Customers Priority,Honest Operation,and Considerate Service”,our business mainly focus on the distribution of electronic components. Line cards we deal with include Microchip,ALPS,ROHM,Xilinx,Pulse,ON,Everlight and Freescale. Main products comprise IC,Modules,Potentiometer,IC Socket,Relay,Connector.Our parts cover such applications as commercial,industrial, and automotives areas.

We are looking forward to setting up business relationship with you and hope to provide you with the best service and solution. Let us make a better world for our industry!



Contact us

Tel: +86-755-8981 8866 Fax: +86-755-8427 6832

Email & Skype: info@chipsmall.com Web: www.chipsmall.com

Address: A1208, Overseas Decoration Building, #122 Zhenhua RD., Futian, Shenzhen, China



4

3

2

1

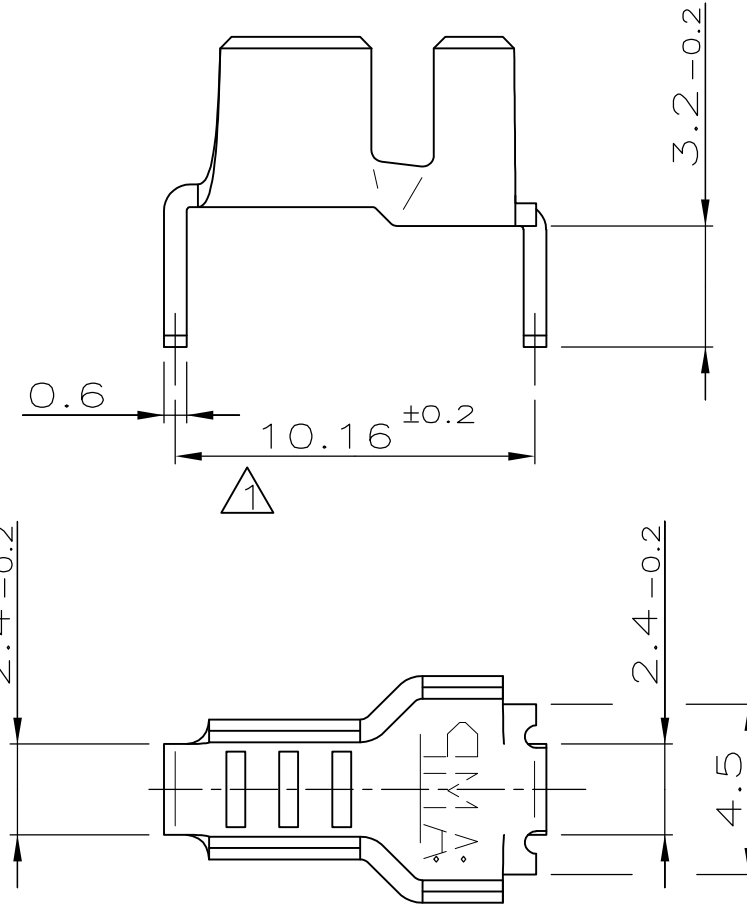
CAD-Original
Zeichnung nicht ändern

Zeichnung geschützt durch
© Copyright 1986
AMP DEUTSCHLAND GmbH
Alle Rechte vorbehalten

Index	Änderung	Tag	Name
A	MASS 5.2 AUF 4.5mm,TEXT HINZU	16.7.86	P.W.KLUG
B	LOCHBILD HINZU	04.03.88	AUGUSTINIAK
C	△ ₃ UND △ ₄ HINZU	17.02.89	WRULICH
H1	NOTE 4 CHANGED, TEXT IN ENGLISH	17APR08	ACKERMANN
-			

ÄNDERUNGEN DIE DEM TECH-
NISCHEN FORTSCHRITT DIENEN,
BEHALTEN WIR UNS VOR

VERTRAULICH
Unveröffentlichte Zeichnung. Alle Rechte
vorbehalten. Vervielfältigung und Weitergabe
nur mit Genehmigung durch AMP Deutschland GmbH



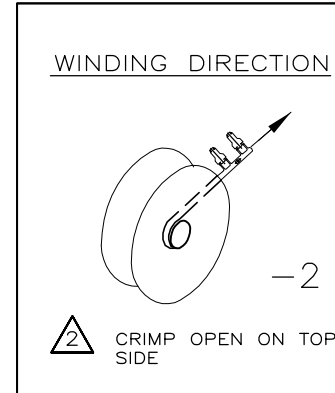
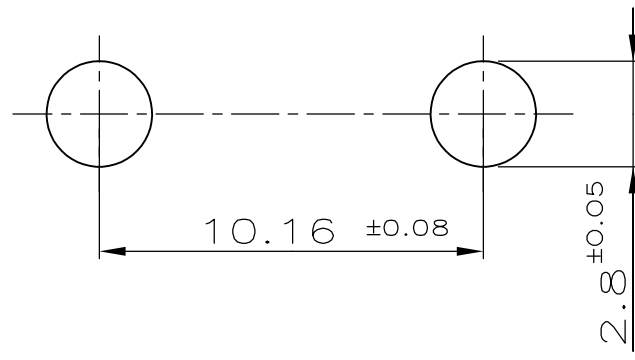
△₁ DIM. AS SUPPLIED 9.5 ± 0.2 mm
DIM. AFTER CRIMPING: 10.16 ± 0.2 mm

△₃ CONTACTS ON REEL SPLICEFREE

△₄ 2-6µm MAT TINNED OVER NICKEL

FOR WIRE CROSS SECTION 1.0 - 2.5mm²
AND INSULATION-DIAMETER 2.2-3.1mm
WIRE CRIMP WIDTH 3.3mm
INSULATION CRIMP WIDTH 4.6mm

PCB LAYOUT



WINDING DIRECTION			
1928782-2 △ ₂	CuSn	TINNED △ ₄	
ORDER-NO.	MATERIAL	SURFACE COLOUR	
Gez. 30.6.86 KLUG	Gepr. M.SCHAARSCM.	Gepr. —	

AMP AMP DEUTSCHLAND G.m.b.H. Langen b.Ffm.,West Germany		K
DESCRIPTION SOLDER CONTACT		
Nicht tolerierte Maße ± 0.2 mm ± - .	Format A3	DRAWING-NO. 928 782
SCALE 5:1	REV. H1	Blatt-Nr. 1 von 1

D
85-9373
C
B
A

D
C
B
A