



Chipsmall Limited consists of a professional team with an average of over 10 year of expertise in the distribution of electronic components. Based in Hongkong, we have already established firm and mutual-benefit business relationships with customers from,Europe,America and south Asia,supplying obsolete and hard-to-find components to meet their specific needs.

With the principle of “Quality Parts,Customers Priority,Honest Operation,and Considerate Service”,our business mainly focus on the distribution of electronic components. Line cards we deal with include Microchip,ALPS,ROHM,Xilinx,Pulse,ON,Everlight and Freescale. Main products comprise IC,Modules,Potentiometer,IC Socket,Relay,Connector.Our parts cover such applications as commercial,industrial, and automotives areas.

We are looking forward to setting up business relationship with you and hope to provide you with the best service and solution. Let us make a better world for our industry!



Contact us

Tel: +86-755-8981 8866 Fax: +86-755-8427 6832

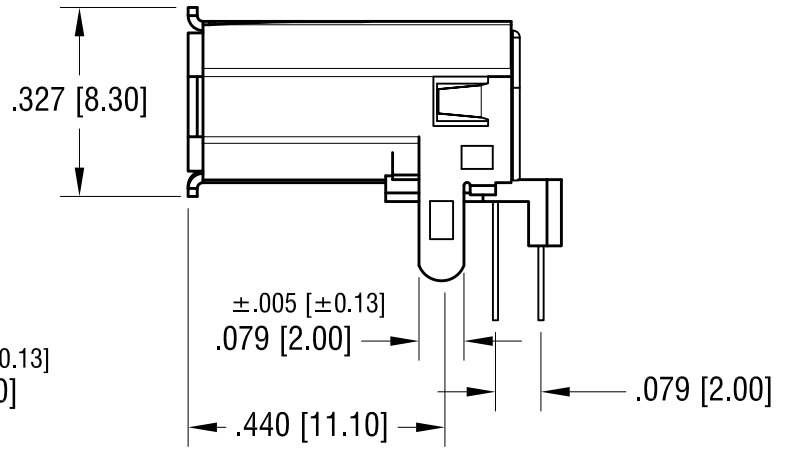
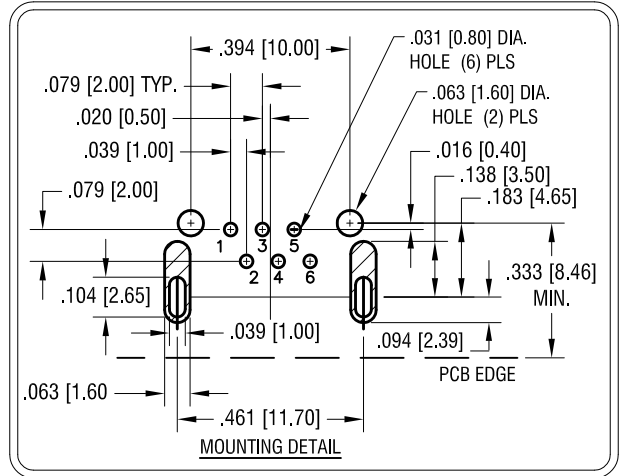
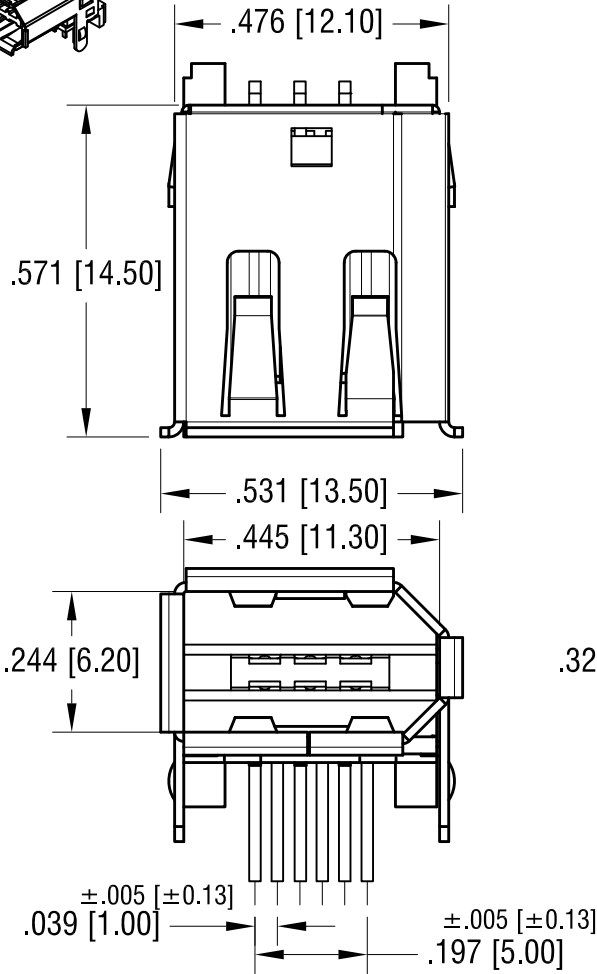
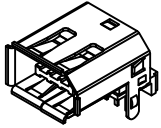
Email & Skype: info@chipsmall.com Web: www.chipsmall.com

Address: A1208, Overseas Decoration Building, #122 Zhenhua RD., Futian, Shenzhen, China



THIS DOCUMENT IS THE PROPERTY OF KEYSTONE ELECTRONICS CORP. AND SHALL NOT BE REPRODUCED, DISTRIBUTED OR USED AS A BASIS FOR MANUFACTURE WITHOUT PRIOR WRITTEN PERMISSION FROM KEYSTONE ELECTRONICS CORP.

ACTUAL SIZE



NOTE:

- 1. SHELL: MAT'L- STEEL
FINISH- TIN PLATE, OVER NICKEL PLATE
- 2. INSULATOR: MAT'L- THERMOPLASTIC, UL94V-0
- 3. CONTACT: MAT'L- PHOSPHOR BRONZE
FINISH ON CONTACT AREAS-
GOLD PLATE, OVER NICKEL PLATE
FINISH ON SOLDER TAIL-
TIN PLATE, OVER NICKEL PLATE

4. ELECTRICAL SPECIFICATIONS:

- RATED VOLTAGE- 30V AC (rms)
- CONTACT CURRENT RATING: 1A MAX.
- CONTACT CURRENT RESISTANCE: 30 millioms MAX,
- INSULATION RESISTANCE: 1000 Megohms Min.
- DIELECTRIC WITHSTANDING: .750V AC
- OPERATING TEMPERATURE: 32° [0°C] TO 104° [40°C]

KEYSTONE ELECTRONICS CORP.

www.keyelco.com • ASTORIA, N.Y. 11105-2017 • Tel (718) 956-8900

PART NAME		IEEE 1394 'FIREWIRE' HORIZONTAL SOCKET	
MATERIAL			
AS NOTED			
FINISH	AS NOTED	DRN BY	BOONE
		APP'D	LN
		DATE	7.1.99
		SCALE	3X
TOLERANCES	INCH [MM]	CODE	DWG NO.
DECIMAL	± .010 [± 0.25]	C	929
ANGULAR	± 1°		
UNLESS OTHERWISE SPECIFIED			

5.19.16	CHANGE AS PER ECN 16-059	B
6.7.05	CHANGE AS PER ECN 05-031	A
DATE	DESCRIPTION	REV.