



Chipsmall Limited consists of a professional team with an average of over 10 year of expertise in the distribution of electronic components. Based in Hongkong, we have already established firm and mutual-benefit business relationships with customers from,Europe,America and south Asia,supplying obsolete and hard-to-find components to meet their specific needs.

With the principle of “Quality Parts,Customers Priority,Honest Operation,and Considerate Service”,our business mainly focus on the distribution of electronic components. Line cards we deal with include Microchip,ALPS,ROHM,Xilinx,Pulse,ON,Everlight and Freescale. Main products comprise IC,Modules,Potentiometer,IC Socket,Relay,Connector.Our parts cover such applications as commercial,industrial, and automotives areas.

We are looking forward to setting up business relationship with you and hope to provide you with the best service and solution. Let us make a better world for our industry!



Contact us

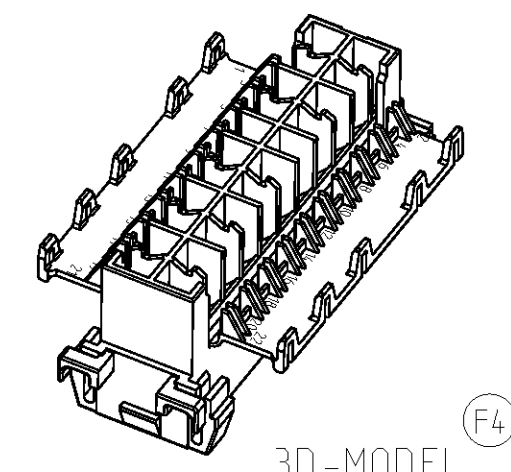
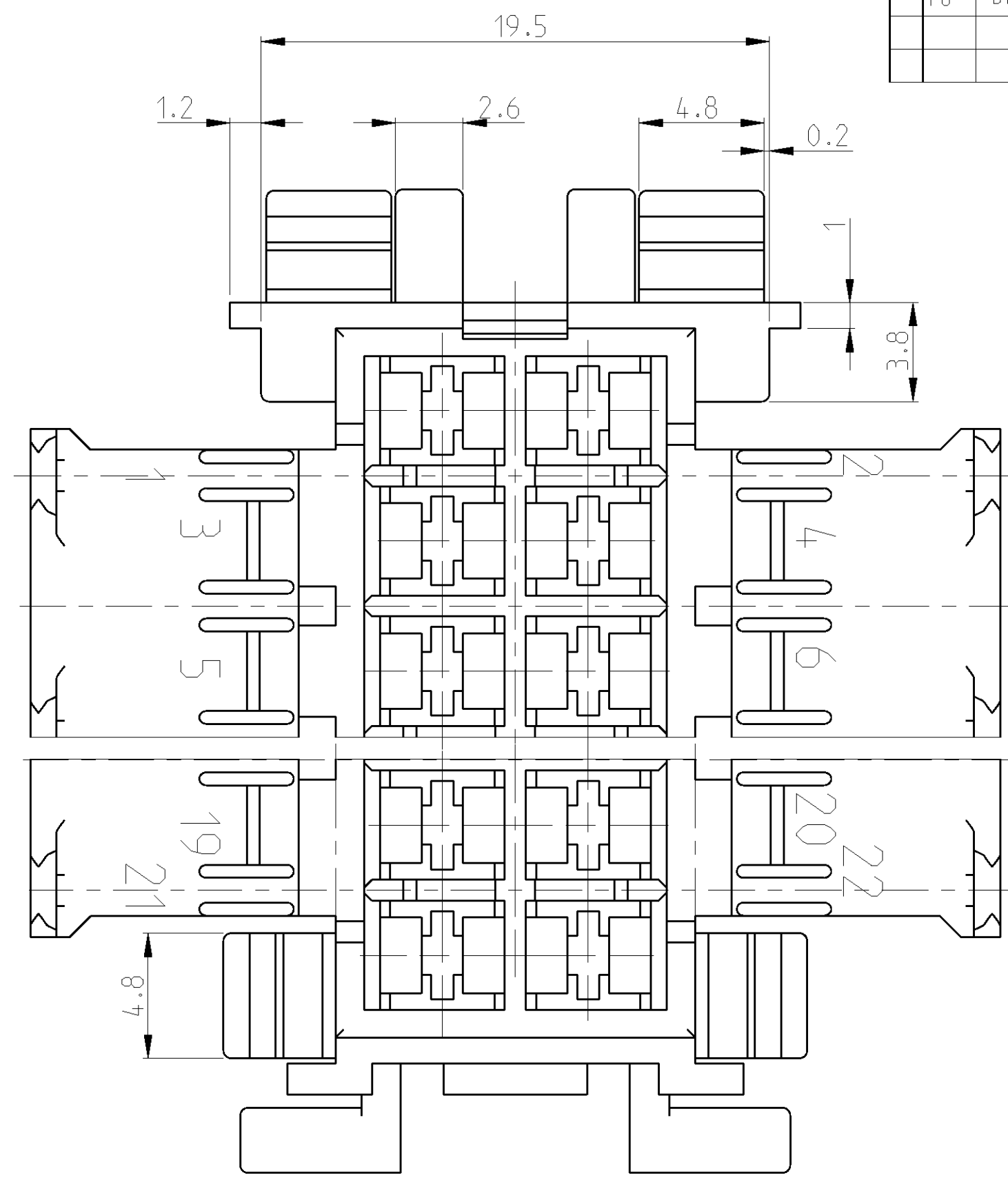
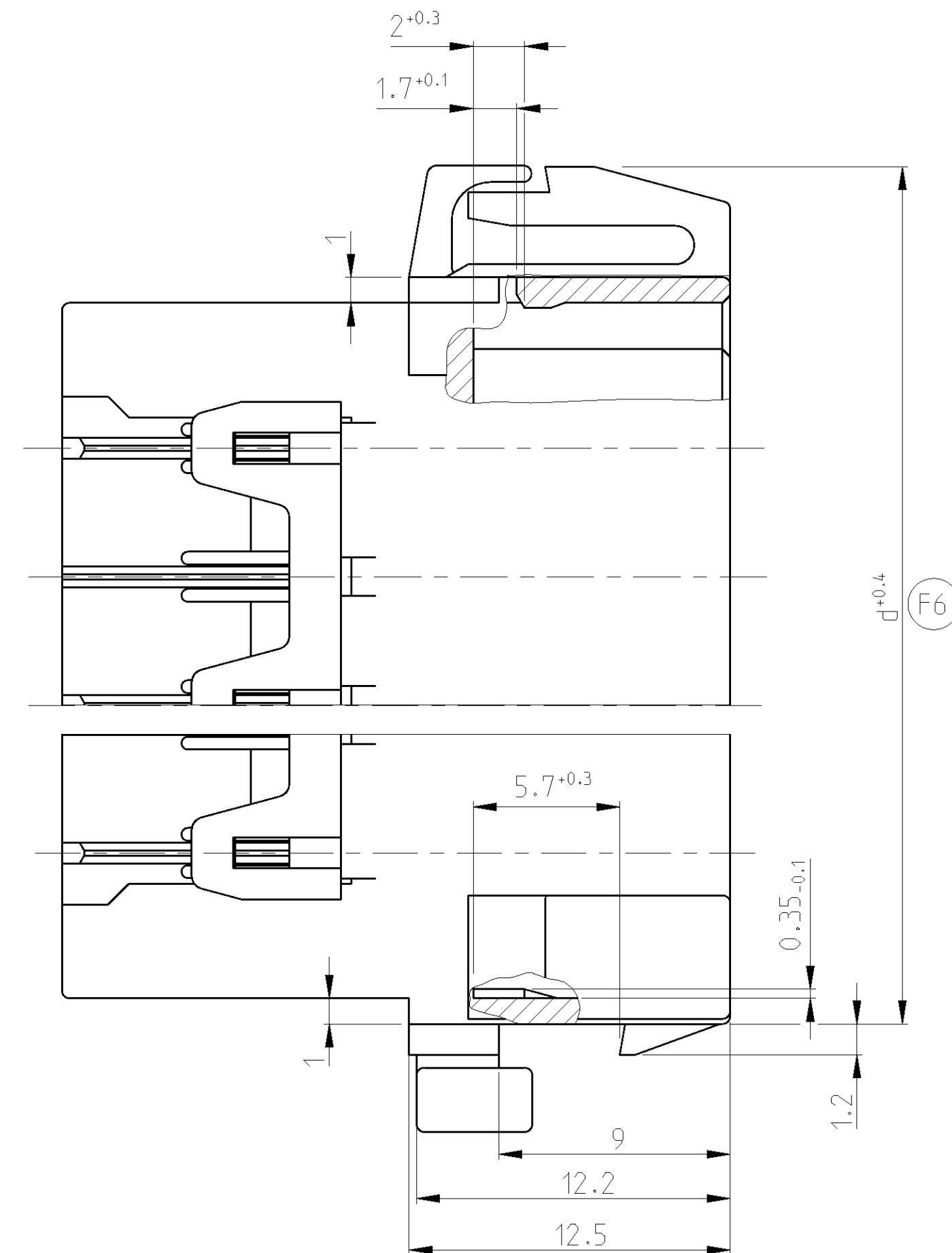
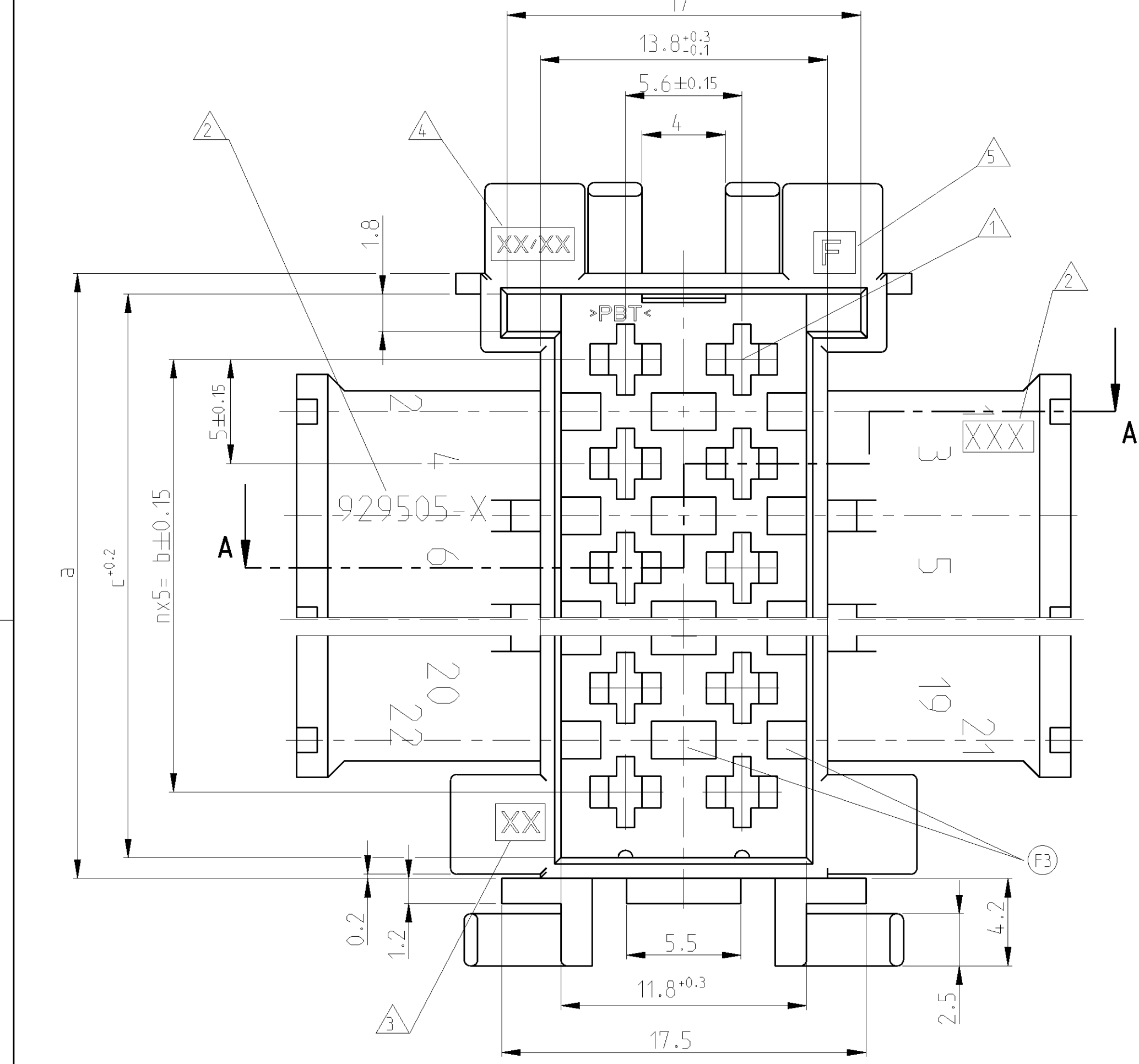
Tel: +86-755-8981 8866 Fax: +86-755-8427 6832

Email & Skype: info@chipsmall.com Web: www.chipsmall.com

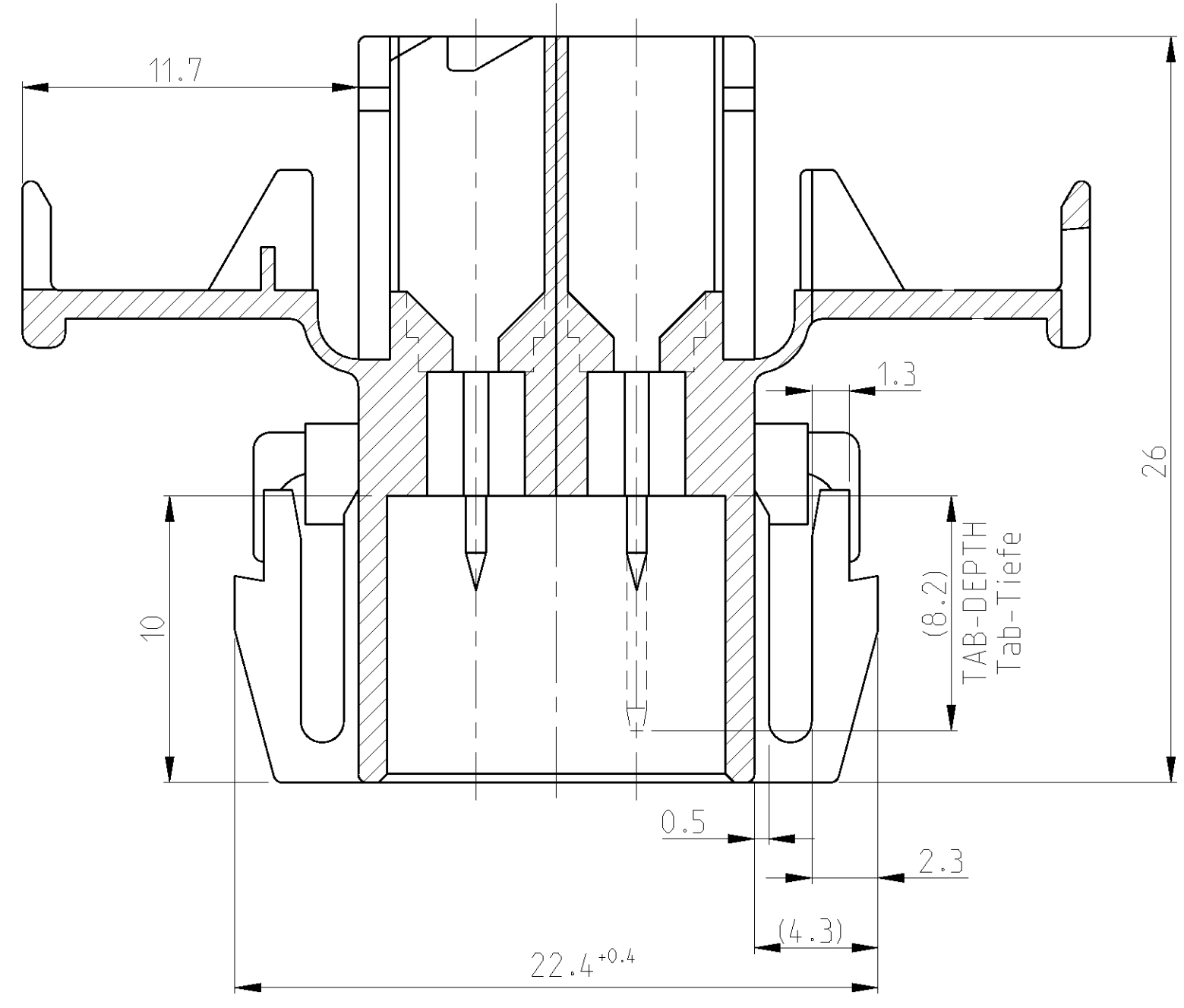
Address: A1208, Overseas Decoration Building, #122 Zhenhua RD., Futian, Shenzhen, China



| LOC | DIST | REV | DATE | BY | CHK | APPROV |
|-----|------|-----|-----------|------------|-----|--------|
| A1 | - | F5 | 23MAY2011 | RK | HMR | |
| | | F6 | 23MAY2011 | Mah. Krau. | | |

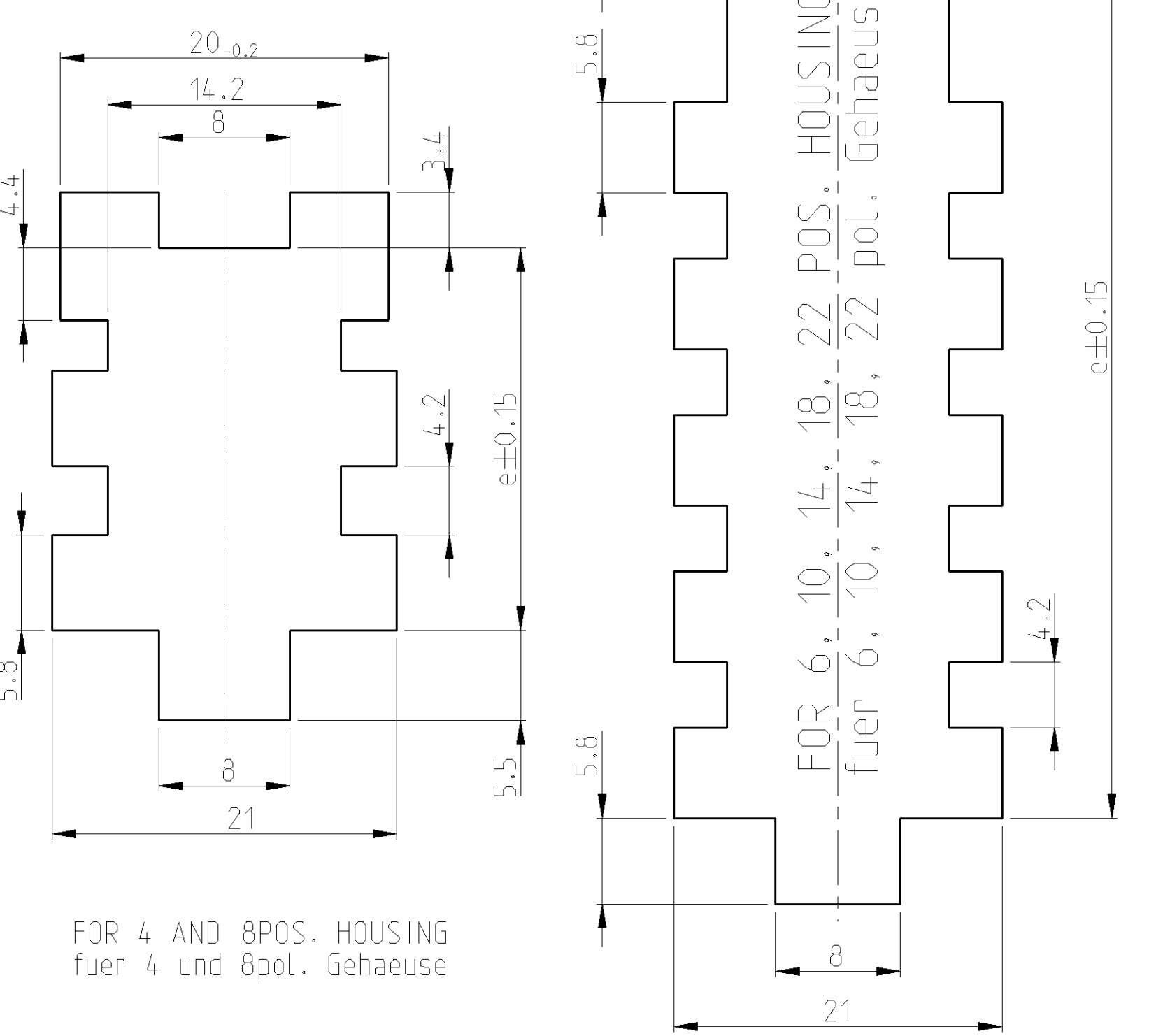


3D-MODEL (F4)
1:1



| CONTACT CAVITY NUMBERS Kammernummerierung | e | d | c | b | a | n | COLOUR Farbe | TE CONNECTIVITY ORDER-NO TE CONNECTIVITY Bestell-Nr | REV | DESCRIPTION/WEIGHT Benennung/Gewicht |
|--|------|------|------|----|------|----|-----------------|--|-----|--|
| | 58.7 | 62.6 | 56.3 | 50 | 58.3 | 10 | BLACK schwarz | 929505-7 | F | 22POS.TAB-HSG. 22pol. Fst.-Geh 11.3g |
| | | | | | | | NATURAL natur | 1-929505-7 | F | |
| | 48.7 | 52.6 | 46.3 | 40 | 48.3 | 8 | BLACK schwarz | 929505-6 | F | 18POS.TAB-HSG. 18pol. Fst.-Geh 9.6g |
| | | | | | | | NATURAL natur | 1-929505-6 | F | |
| | 38.7 | 42.6 | 36.3 | 30 | 38.3 | 6 | BLACK schwarz | 929505-5 | F | 14POS.TAB-HSG. 14pol. Fst.-Geh 7.9g |
| | | | | | | | NATURAL natur | 1-929505-5 | F | |
| | 28.7 | 32.6 | 26.3 | 20 | 28.3 | 4 | BLACK schwarz | 929505-4 | F | 10POS.TAB-HSG. 10pol. Fst.-Geh 6.2g |
| | | | | | | | NATURAL natur | 1-929505-4 | F | |
| | 23.7 | 27.6 | 21.3 | 15 | 23.3 | 3 | BLACK schwarz | 929505-3 | F | 8POS.TAB-HSG. 8pol. Fst.-Geh 5.4g |
| | | | | | | | NATURAL natur | 1-929505-3 | F | |
| | 18.7 | 22.6 | 16.3 | 10 | 18.3 | 2 | BLACK schwarz | 929505-2 | F | 6POS.TAB-HSG. 6pol. Fst.-Geh 4.5g |
| | | | | | | | NATURAL natur | 1-929505-2 | F | |
| | 13.7 | 17.6 | 11.3 | 5 | 13.3 | 1 | BLACK schwarz | 929505-1 | F | 4POS.TAB-HSG. 4pol. Fst.-Geh. 3.6g |
| | | | | | | | NATURAL natur | 1-929505-1 | F | |

CUT-OFF (2:1)
 MATERIAL THICKNESS MAX. 1.6MM
 Blechdurchschnitt (2:1)
 Blechdicke max. 1.6mm



FOR 4 AND 8 POS. HOUSING
 fuer 4 und 8 pol. Gehaeuse

FOR 6, 10, 14, 18, 22 POS. HOUSING
 fuer 6, 10, 14, 18, 22 pol. Gehaeuse

- NOTES
 Bemerkungen
- △ CAVITY SUITABLE FOR 2.8mm FF-TAB
 SEE DRAWING:
 Kammer passend fuer 2.8mm FF-Flachstecker
 siehe Zeichnung.
 - △ PRODUCTION DATE (MONTH/YEAR)
 Produktionsdatum (Monat/Jahr)
 - △ REVISION OF THE MOULD
 Werkzeugaenderungsstand
 - △ ACTIVE COMPANY-LOGO AND TE-No.
 Aktuelles Firmenlogo und TE-Nr.
 - △ MOULD CAVITY MARKING
 Nestmarkierung
- TE CONNECTIVITY: 87-9760-9
- MAX. ALLOWED WIRE SIZE 2.50MM FLR
 max. zulaessiger Leitungsquerschnitt 2.5qmm FLR
- 6 SUITABLE COUNTERPART:
 PN 929504
 Passendes Gegenstueck
 PN 929504

THIS DRAWING IS A CONTROLLED DOCUMENT.
 DIESER ZEICHNUNGSDRUCK IST EIN DURCH UNS KONTROLLIERTES DOKUMENT.
 ANSONSTEN KANN DIESE DRUCKSACHE VERFALSCHT SEIN. DIE VERFALSCHUNG
 WIRD ANGELEGENLICH VERFOLGT UND STRAFRECHTLICH VERURTEILT.

| | | | |
|--------|------------|--------|-----|
| DATE | 09JUN95 | APPROV | |
| CHK | J. Grandow | REV | |
| DESIGN | | SCALE | 5:1 |
| DRAWN | A. Richter | SHEET | 1 |
| DATE | 26MAY95 | OF | 1 |

NAME: 4-22POS. 2.8mm FF TAB-HOUSING
 4-22pol. 2.8mm FF Flachstecker-Gehaeuse

SIZE: A1
 CASE CODE: 00779
 DRAWING NO: 929505

RESTRICTED TO WORK -
 NUR FÜR ARBEIT

CUSTOMER DRAWING