



Chipsmall Limited consists of a professional team with an average of over 10 year of expertise in the distribution of electronic components. Based in Hongkong, we have already established firm and mutual-benefit business relationships with customers from,Europe,America and south Asia,supplying obsolete and hard-to-find components to meet their specific needs.

With the principle of "Quality Parts,Customers Priority,Honest Operation,and Considerate Service",our business mainly focus on the distribution of electronic components. Line cards we deal with include Microchip,ALPS,ROHM,Xilinx,Pulse,ON,Everlight and Freescale. Main products comprise IC,Modules,Potentiometer,IC Socket,Relay,Connector.Our parts cover such applications as commercial,industrial, and automotives areas.

We are looking forward to setting up business relationship with you and hope to provide you with the best service and solution. Let us make a better world for our industry!



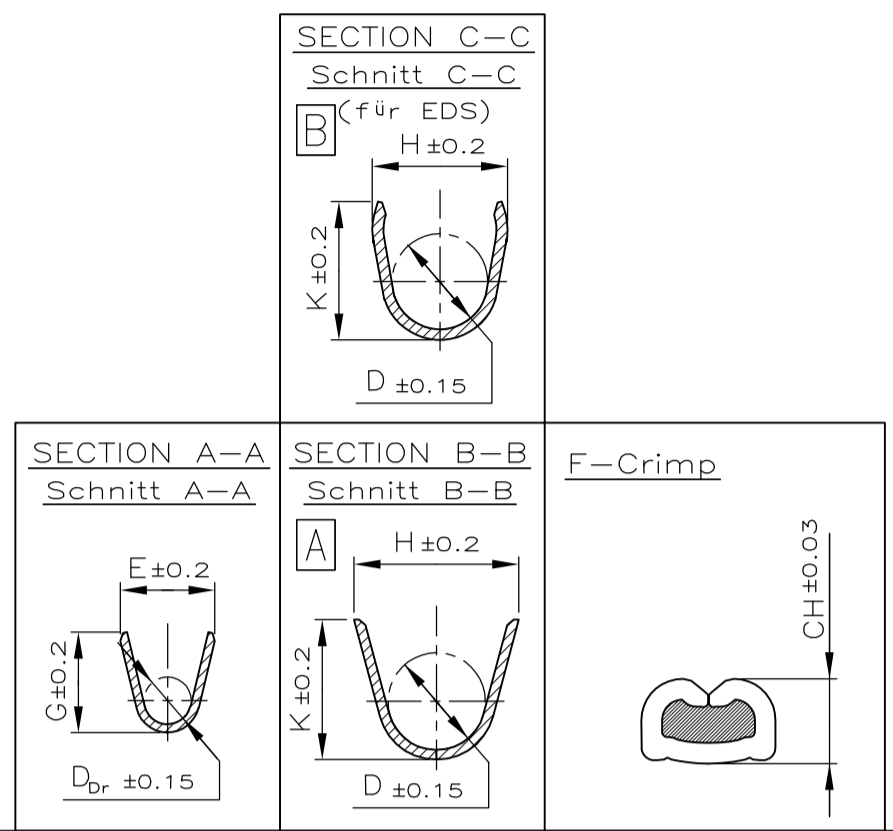
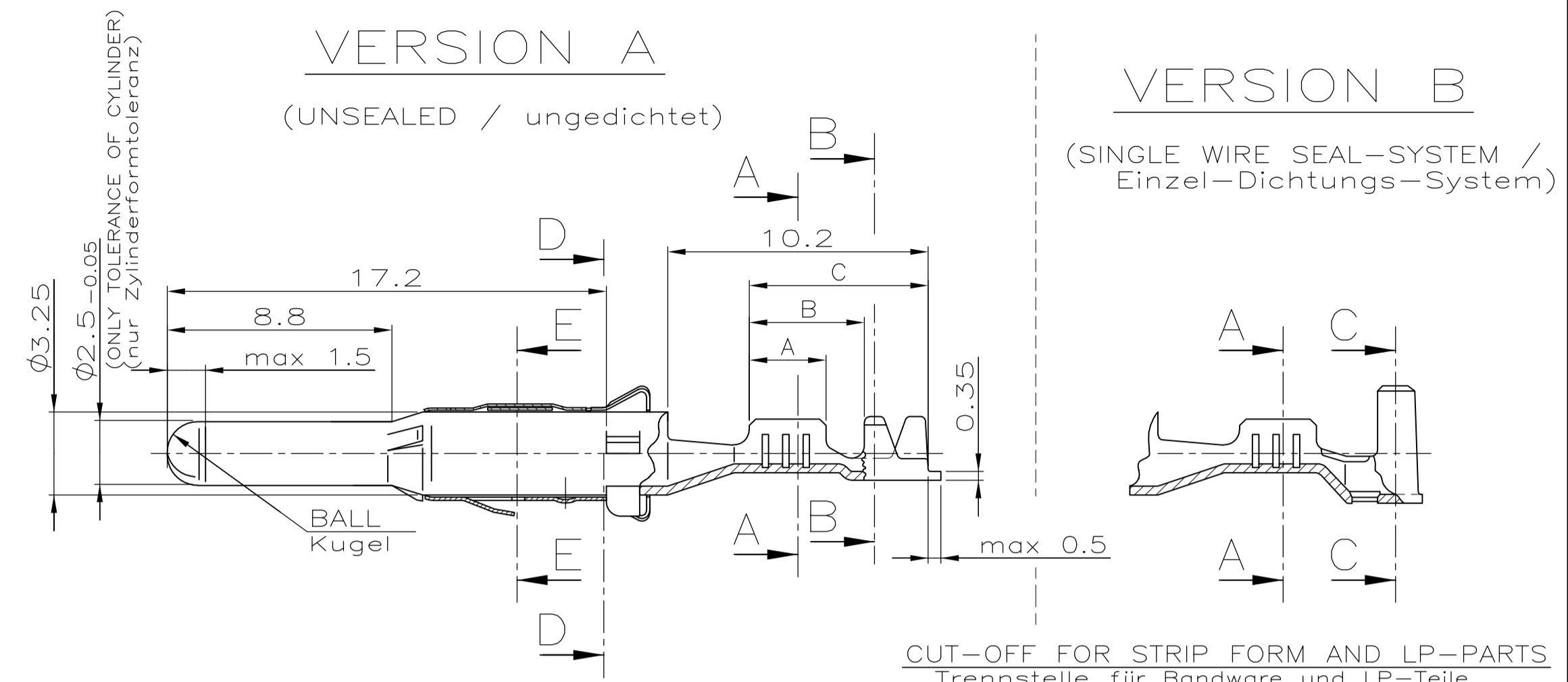
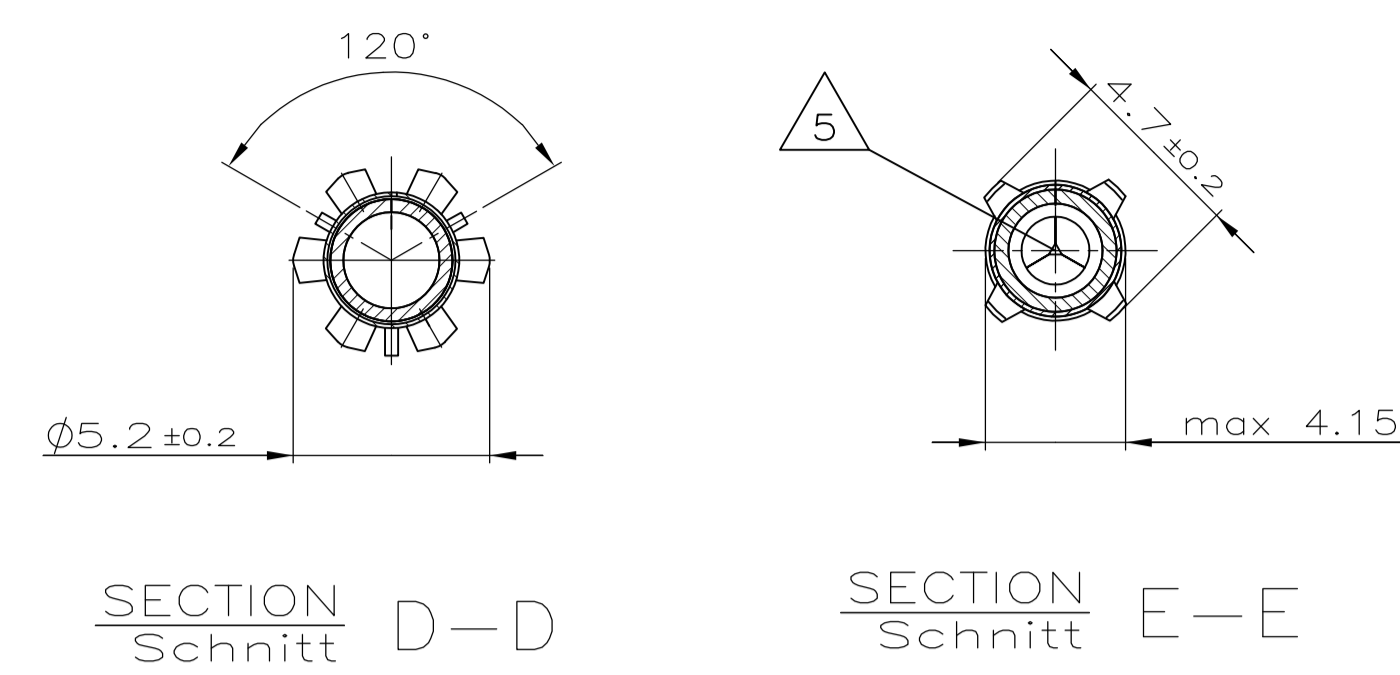
Contact us

Tel: +86-755-8981 8866 Fax: +86-755-8427 6832

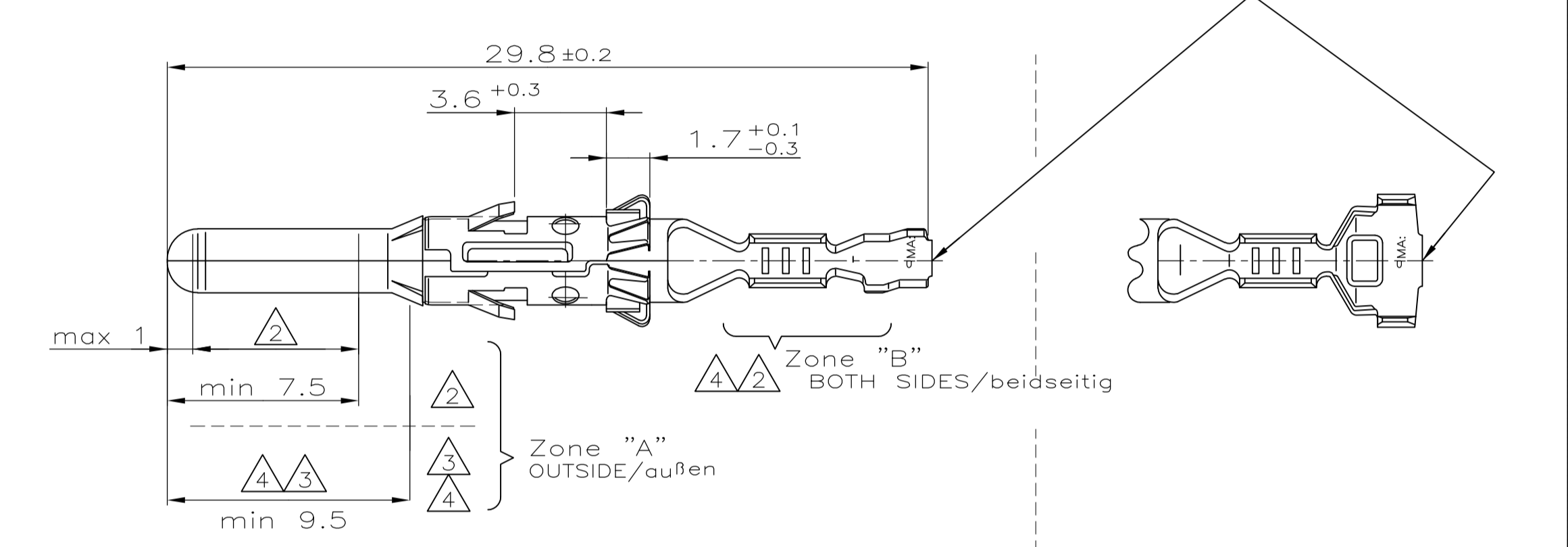
Email & Skype: info@chipsmall.com Web: www.chipsmall.com

Address: A1208, Overseas Decoration Building, #122 Zhenhua RD., Futian, Shenzhen, China





TE CONNECTIVITY ORDER-Nr.	TE CONNECTIVITY ORDER-Nr.	SINGLE SEAL Einzeldichtung	DEAD END PLUG Blindstopfen														
1-929968-0	1-962972-0	M	CuFe2	2	>1.0-2.5	FLR	E = 3.6	H = 5.0	2.5mm ² = 1.97	MQC-Applicator	734289-2	4	6.9	8.5	828921-1	828922-1	
929968-9	962972-9	M	CuNiSi	3			G = 3.8	K = 5.0	2.0mm ² = 1.82	MQC-Applicator	2-878486-2	734289-1	3	5.4	7	828920-1	828922-1
929968-8	962972-8	M	CuFe2	3			D _{br} = 1.7	D = 3.6	1.5mm ² = 1.67								
929968-7	962972-7	M	CuNiSi	2													
929968-4	962972-4	M	CuFe2	1													
929968-1	962972-1	M	CuNiSi	1													
1-929967-4	1-962971-4	A	CuNiSi	4	0.5-1.0	FLR	E = 2.6	H = 4.8	1.0mm ² = 1.45	MQC-Applicator	2-878485-2	734289-1	3	5.4	7	828920-1	828922-1
1-929967-0	1-962971-0	M	CuFe2	3			G = 2.8	K = 4.8	0.75mm ² = 1.36								
929967-9	962971-9	M	CuNiSi	2			D _{br} = 1.1	D = 3.2	0.5mm ² = 1.27								
929967-8	962971-8	M	CuFe2	1													
929967-7	962971-7	M	CuNiSi	1													
929967-4	962971-4	M	CuFe2	1													
929967-1	962971-1	M	CuNiSi	1													
1-929966-0	1-962970-0	M	CuFe2	2	0.2-0.4	FLR	E = 2.1	H = 4.5	0.35mm ² = 1.11	MQC-Applicator	2-878484-2	734289-1	3	5.4	7	828920-1	828922-1
929966-9	962970-9	M	CuNiSi	3			G = 2.1	K = 4.5									
929966-8	962970-8	M	CuFe2	2			D _{br} = 0.8	D = 3.2									
929966-7	962970-7	M	CuNiSi	1													
929966-4	962970-4	M	CuFe2	1													
929966-1	962970-1	M	CuNiSi	1													



REMARKS
Bemerkungen

1 **PRE TINNED** 1-2µm
vorverzint

2 **ZONE "A":** MIN 0.8µm ELECTROPL. Au OVER MIN 1.3µm ELECTROPL. Ni LAYER
min 0.8µm galv. Au über min 1.3µm galv. Ni
ZONE "B": 1-2µm ELECTROPL. Sn OVER MIN 0.1µm ELECTROPL. Ni
1-2µm galv. Sn über min 0.1µm galv. Ni
REST: min 0.1µm ELECTROPL. Ni
min 0.1µm galv. Ni

3 **ZONE "A":** MIN 3µm ELECTROPL. Ag
min 3µm galv. Ag
REST: min 0.5µm ELECTROPL. Ag
min 0.5µm galv. Ag

4 **ZONE "A":** MIN 3µm ELECTROPL. Ag
min 3µm galv. Ag
ZONE "B": 1-3µm ELECTROPL. Sn
1-3µm galv. Sn
REST: SILVER OR TIN ALLOWED IN TRANSITION AREAS.OVERLAPPING LAYERS
AND PLAIN SURFACES ARE NOT ALLOWED.
Silber oder Zinn im Übergangsbereich erlaubt.
überlagernde Schichten oder blanke Stellen sind nicht erlaubt.

5 **AT AREA OF TOP OPENING PERMITTED**
Im Bereich der Spitze Öffnung zulässig

6 **AVAILABILITY MUST BE CHECKED BY TE CONNECTIVITY**
Verfügbarkeit ist von TE CONNECTIVITY zu prüfen

TE CONNECTIVITY ORDER-Nr.	TE CONNECTIVITY ORDER-Nr.	REV.	MATERIAL Werkstoff	SURFACE Oberfläche	DGB [mm ²]	WIRE CRIMP Drahtcrimp	INSUL.-CRIMP Isol.-Crimp	WIRE CRIMP HEIGHT CH Drahtcrimp-Höhe CH	APPLICATION TOOL Anschlag-WKZ	HAND TOOL Handzange	A	B	C			
1-929965-0	1-962969-0	J	CuFe2	2	>2.5-4.0	FLR	A	E = 4.3	H = 5.4	4.0mm ² = 2.30	MQC-Applicator	734285-3	4	5.5	8.5	
929965-9	962969-9	J	CuNiSi	3				G = 4.5	K = 5.6	3.0mm ² = 2.05						
929965-8	962969-8	J	CuFe2	1				D _{br} = 2.4	D = 3.2							
929965-7	962969-7	J	CuNiSi	1												
929965-4	962969-4	J	CuFe2	1												
929965-1	962969-1	J	CuNiSi	1												
1-929964-0	1-962968-0	J	CuFe2	2	>1.0-2.5	FLR	A	E = 3.6	H = 4.3	2.5mm ² = 1.97	MQC-Applicator	2-878482-2	734285-2	4	5.5	8.5
929964-9	962968-9	J	CuNiSi	3				G = 3.8	K = 4.5	2.0mm ² = 1.82						
929964-8	962968-8	J	CuFe2	3				D _{br} = 1.7	D = 2.6	1.5mm ² = 1.67						
929964-7	962968-7	J	CuNiSi	2						1.25mm ² = 1.60						
929964-4	962968-4	J	CuFe2	1												
929964-1	962968-1	J	CuNiSi	1												
1-929963-0	1-962967-0	L	CuFe2	3	0.5-1.0	FLR	A	E = 2.6	H = 3.2	1.0mm ² = 1.45	MQC-Applicator	2-878481-2	734285-1	3	4.5	7
929963-9	962967-9	L	CuNiSi	2				G = 2.8	K = 3.4	0.75mm ² = 1.36						
929963-8	962967-8	L	CuFe2	2				D _{br} = 1.1	D = 1.8	0.5mm ² = 1.27						
929963-7	962967-7	L	CuNiSi	1												
929963-4	962967-4	L	CuFe2	1												
929963-1	962967-1	L	CuNiSi	1												
1-929962-0	1-962966-0	J	CuFe2	2	0.2-0.4	FLR	A	E = 2.1	H = 2.5	0.35mm ² = 1.11	MQC-Applicator	2-878480-2	734285-1	3	4.5	7
929962-9	962966-9	J	CuNiSi	3				G = 2.1	K = 2.5	0.25mm ² = 1.07						
929962-8	962966-8	J	CuFe2	2				D _{br} = 0.8	D = 1.4	0.2mm ² = 1.05						
929962-7	962966-7	J	CuNiSi	1												
929962-4	962966-4	J	CuFe2	1												
929962-1	962966-1	J	CuNiSi	1												

TE CONNECTIVITY ORDER-Nr.	TE CONNECTIVITY ORDER-Nr.	REV.	MATERIAL Werkstoff	SURFACE Oberfläche	DGB [mm ²]	WIRE CRIMP Drahtcrimp	INSUL.-CRIMP Isol.-Crimp	WIRE CRIMP HEIGHT CH Drahtcrimp-Höhe CH	APPLICATION TOOL Anschlag-WKZ	HAND TOOL Handzange	A	B	C
						CRIMP DIMENSION (mm) Crimpabmessungen (mm)			EXTRACTION TOOL Ausdrückwerkzeug Nr.: 872070-1				

THIS DRAWING IS A CONTROLLED DOCUMENT. DIESE ZEICHNUNG IST EIN KONTROLLIERTES DOKUMENT.

DIMENSIONS: DIMENSIONEN mm	TOLERANCES UNLESS OTHERWISE SPECIFIED: ALLE TOLERANZEN UNLESS OTHERWISE SPECIFIED: ± 0.15 mm	DIN C. Goetz 25-JUN-2001	 TE Connectivity
MATERIAL SEE TABLE	FINISH/OBERFLÄCHE/FARBE SEE TABLE	APVD J. Granzow	
PRODUCT SPEC 108-18027	APPLICATION SPEC 114-18020	NAME	DIA. 2.5MM PIN CONTACT DIA 2.5mm Stiftkontakt
WEIGHT 0.85 g	SCALE 5:1	DRAWING NO. 00779	RESTRICTED TO SURFAC
CUSTOMER DRAWING /KUNDENZEICHNUNG	SHEET 5 OF 1	REV A4	