



Chipsmall Limited consists of a professional team with an average of over 10 year of expertise in the distribution of electronic components. Based in Hongkong, we have already established firm and mutual-benefit business relationships with customers from,Europe,America and south Asia,supplying obsolete and hard-to-find components to meet their specific needs.

With the principle of “Quality Parts,Customers Priority,Honest Operation,and Considerate Service”,our business mainly focus on the distribution of electronic components. Line cards we deal with include Microchip,ALPS,ROHM,Xilinx,Pulse,ON,Everlight and Freescale. Main products comprise IC,Modules,Potentiometer,IC Socket,Relay,Connector.Our parts cover such applications as commercial,industrial, and automotives areas.

We are looking forward to setting up business relationship with you and hope to provide you with the best service and solution. Let us make a better world for our industry!



Contact us

Tel: +86-755-8981 8866 Fax: +86-755-8427 6832

Email & Skype: info@chipsmall.com Web: www.chipsmall.com

Address: A1208, Overseas Decoration Building, #122 Zhenhua RD., Futian, Shenzhen, China

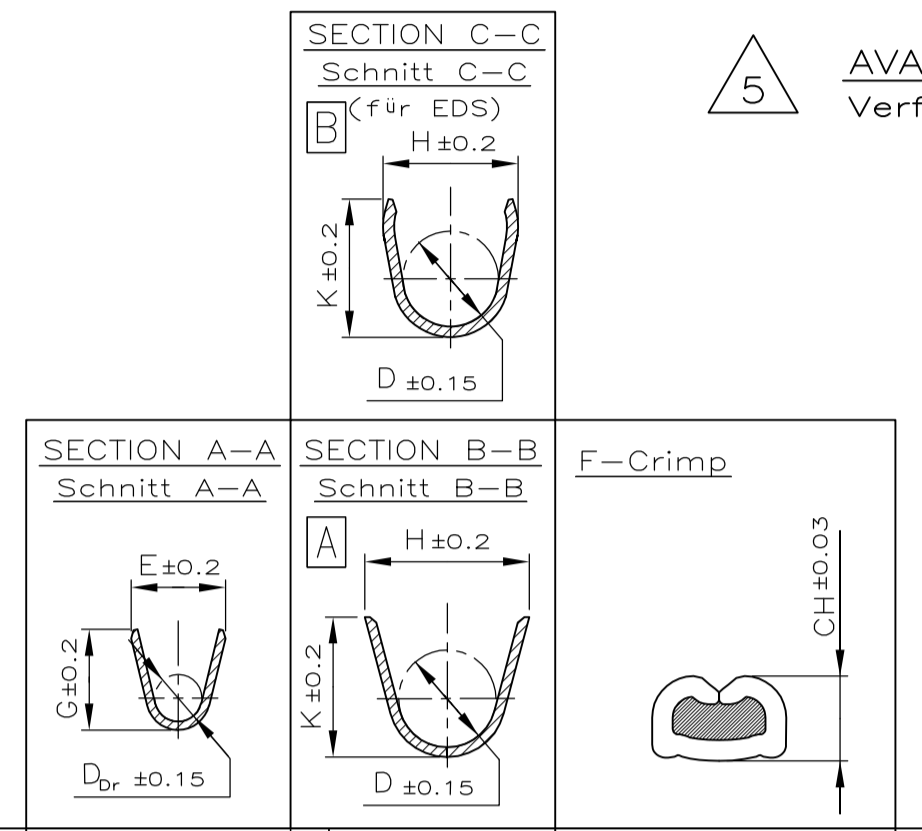


LOC	DIST	REVISIONS			
AI	-	MINOR	DESCRIPTION	DATE	DWN
			BESCHREIBUNG		APVD
PROJECT NR.	A6	REVISED PER	ECO-11-005150	21MAR11	RK HMR

REMARKS
Bemerkungen

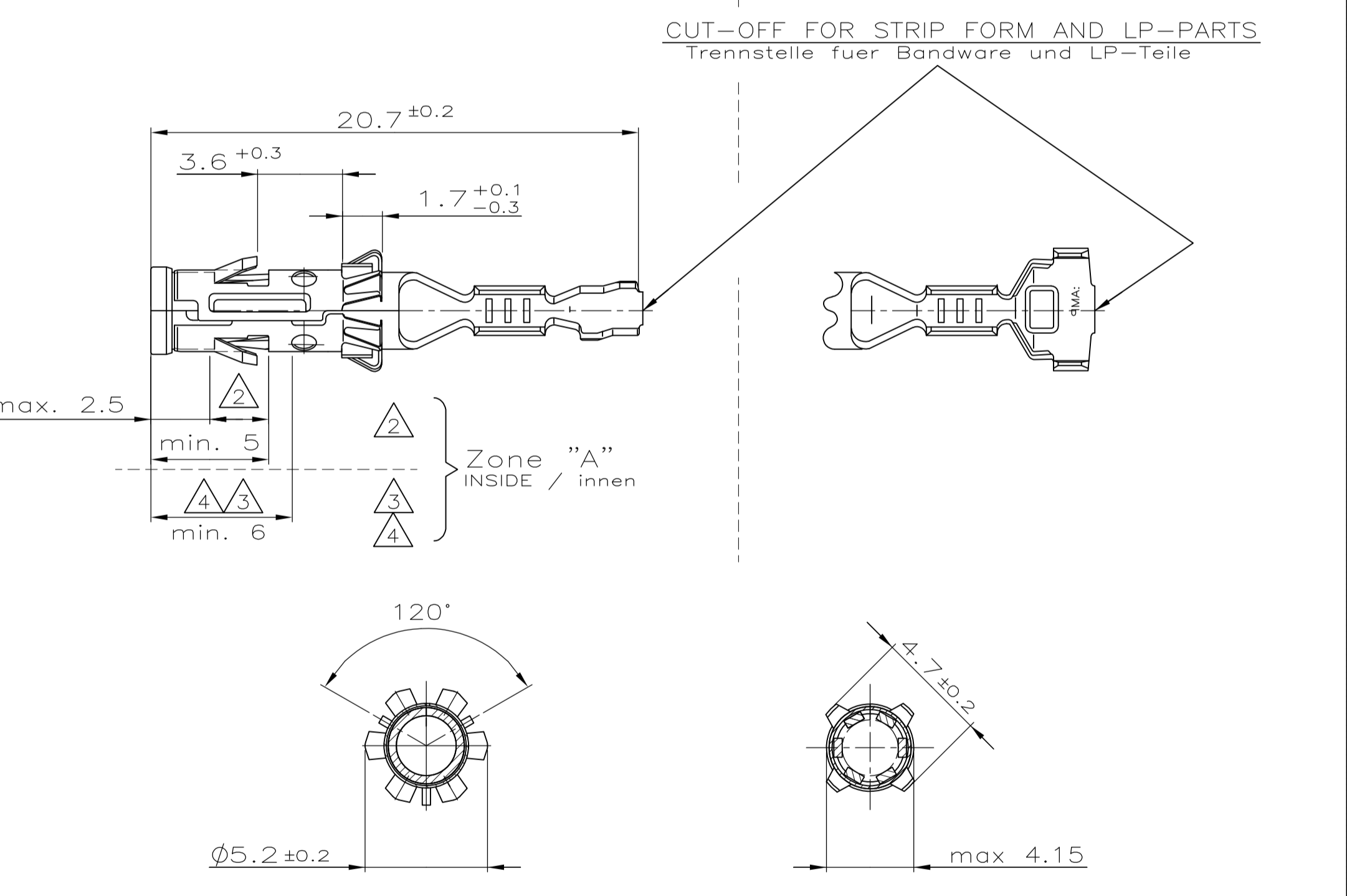
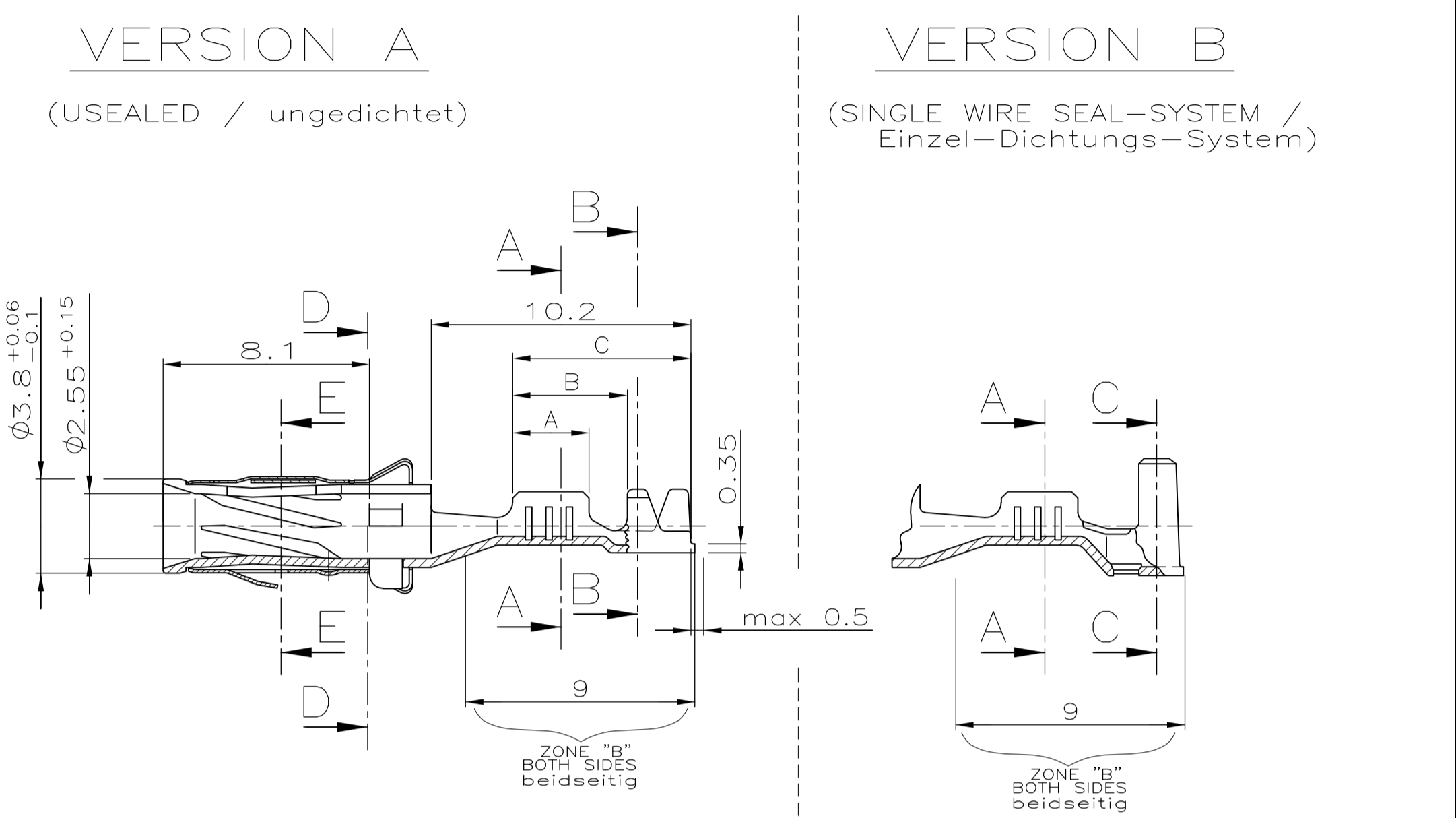
- 1 PRE TINNED 1-2µm vorverzint
- 2 ZONE "A": MIN 0.8µm ELECTROPL. Au OVER MIN 1.3µm ELECTROPL. Ni LAYER
min 0.8µm galv. Au über min 1.3µm galv. Ni
ZONE "B": 1-2µm ELECTROPL. Sn OVER MIN 0.1µm ELECTROPL. Ni
1-2µm galv. Sn über min 0.1µm galv. Ni
REST: min 0.1µm ELECTROPL. Ni
min 0.1µm galv. Ni
- 3 ZONE "A": MIN 3µm ELECTROPL. Ag
min. 3µm galv. Ag
REST: 0.5µm ELECTROPL. Ag
0.5µm galv. Ag

- 4 ZONE "A": MIN 3µm ELECTROPL. Ag
min 3µm galv. Ag
ZONE "B": 1-3µm ELECTROPL. Sn
1-3µm galv. Sn
REST: SILVER OR TIN ALLOWED IN TRANSITION AREAS.OVERLAPPING LAYERS
AND PLAIN SURFACES ARE NOT ALLOWED.
Silber oder Zinn im Übergangsbereich erlaubt.
überlagernde Schichten oder blanke Stellen sind nicht erlaubt.
- 5 AVAILABILITY MUST BE CHECKED BY TE CONNECTIVITY
Verfügbarkeit ist von TE CONNECTIVITY zu prüfen



Version B (SINGLE WIRE SEAL-SYSTEM / Einzel-Dichtungs-System)	Part No.	Mater. No.	Mater.	Surface	DGB [mm²]	WIRE CRIMP Drahtcrimp	INSUL.-CRIMP Isol.-Crimp	WIRE CRIMP HEIGHT CH Drahtcrimp-Höhe CH	APPLICATION TOOL Anschlag-WKZ	HAND TOOL Handzange	ORDER-Nr.	ORDER-Nr.			
											SINGLE SEAL Einzeldichtung	DEAD END PLUG Blindstopfen			
FLR	1-929975-0	1-962982-0	N	CuFe2	>1.0-2.5	E = 3.6	H = 5.0	2.5mm² = 1.97	MQC-Applicator	734289-2	4	6.9	8.5	828921-1	828922-1
	929975-9	962982-9	N	CuFe2	G = 3.8	K = 5.0	2.0mm² = 1.82	2-878486-2							
	929975-8	962982-8	N	CuNiSi	Dcr = 1.7	D = 3.6	1.5mm² = 1.67								
	929975-7	962982-7	M	CuNiSi											
	929975-4	962982-4	N	CuFe2											
	929975-1	962982-1	M	CuNiSi											
	1-929974-4	1-962981-4	A	CuNiSi											
	1-929974-0	1-962981-0	N	CuFe2											
	929974-9	962981-9	N	CuFe2											
	929974-8	962981-8	N	CuNiSi											
FLR	929974-7	962981-7	N	CuNiSi	0.5-1.0	E = 2.6	H = 4.8	1.0mm² = 1.45	MQC-Applicator	734289-1	3	5.4	7	828920-1	828922-1
	929974-8	962981-8	N	CuNiSi	G = 2.8	K = 4.8	0.75mm² = 1.36	2-878485-2							
	929974-7	962981-7	N	CuNiSi	Dcr = 1.1	D = 3.2	0.5mm² = 1.27								
	929974-4	962981-4	M	CuFe2											
	929974-1	962981-1	M	CuNiSi											
	1-929973-0	1-962980-0	N	CuFe2	0.2-0.4	E = 2.1	H = 4.5	-	MQC-Applicator	734289-1	3	5.4	7	828920-1	828922-1
	929973-9	962980-9	N	CuFe2	G = 2.1	K = 4.5	0.35mm² = 1.11	2-878484-2							
	929973-8	962980-8	N	CuNiSi											
	929973-7	962980-7	N	CuNiSi											
	929973-4	962980-4	M	CuFe2											
929973-1	962980-1	M	CuNiSi												

Version A (UNSEALED / ungedichtet)	Part No.	Mater. No.	Mater.	Surface	DGB [mm²]	WIRE CRIMP Drahtcrimp	INSUL.-CRIMP Isol.-Crimp	WIRE CRIMP HEIGHT CH Drahtcrimp-Höhe CH	APPLICATION TOOL Anschlag-WKZ	HAND TOOL Handzange	ORDER-Nr.	ORDER-Nr.	
											SINGLE SEAL Einzeldichtung	DEAD END PLUG Blindstopfen	
FLR	1-929972-0	1-962979-0	K	CuFe2	>2.5-4.0	E = 4.3	H = 5.4	4.0mm² = 2.30	MQC-Applicator	734285-3	4	5.5	8.5
	929972-9	962979-9	K	CuFe2	G = 4.5	K = 5.6	3.0mm² = 2.05	2-878483-2					
	929972-8	962979-8	K	CuNiSi	Dcr = 2.4	D = 3.2							
	929972-7	962979-7	K	CuNiSi									
	929972-4	962979-4	J	CuFe2									
	929972-1	962979-1	J	CuNiSi									
	1-929971-0	1-962978-0	M	CuFe2	>1.0-2.5	E = 3.6	H = 4.3	2.5mm² = 1.97	MQC-Applicator	734285-2	4	5.5	8.5
	929971-9	962978-9	M	CuFe2	G = 3.8	K = 4.5	2.0mm² = 1.82	2-878482-2					
	929971-8	962978-8	M	CuNiSi	Dcr = 1.7	D = 2.6	1.5mm² = 1.67						
	929971-7	962978-7	M	CuNiSi									
FLR	929971-4	962978-4	L	CuFe2	>0.5-1.0	E = 2.6	H = 3.2	1.0mm² = 1.45	MQC-Applicator	734285-1	3	4.5	7
	929971-1	962978-1	L	CuNiSi	G = 2.8	K = 3.4	0.75mm² = 1.36	2-878481-2					
	1-929970-0	1-962977-0	M	CuFe2	Dcr = 1.1	D = 1.8	0.5mm² = 1.27						
	929970-9	962977-9	M	CuFe2									
	929970-8	962977-8	M	CuNiSi									
	929970-7	962977-7	M	CuNiSi									
	929970-4	962977-4	L	CuFe2									
	929970-1	962977-1	L	CuNiSi									
	1-929969-0	1-962976-0	K	CuFe2	0.2-0.4	E = 2.1	H = 2.5	0.35mm² = 1.11	MQC-Applicator	734285-1	3	4.5	7
	929969-9	962976-9	K	CuFe2	G = 2.1	K = 2.5	0.25mm² = 1.07	2-878480-2					
929969-8	962976-8	K	CuNiSi										
929969-7	962976-7	K	CuNiSi										
929969-4	962976-4	J	CuFe2										
929969-1	962976-1	J	CuNiSi										



ORDER-Nr.	ORDER-Nr.	MATERIAL	SURFACE	DGB [mm²]	WIRE CRIMP Drahtcrimp	INSUL.-CRIMP Isol.-Crimp	WIRE CRIMP HEIGHT CH Drahtcrimp-Höhe CH	APPLICATION TOOL Anschlag-WKZ	HAND TOOL Handzange	A	B	C	
STRIP FORM Bandware	LOOSE PIECE Einzelausführung	Werkstoff	Oberfläche	[mm²]	WIRE CRIMP Drahtcrimp	INSUL.-CRIMP Isol.-Crimp	WIRE CRIMP HEIGHT CH Drahtcrimp-Höhe CH	APPLICATION TOOL Anschlag-WKZ	HAND TOOL Handzange				
					CRIMP DIMENSION (mm) Crimpabmessungen (mm)			EXTRACTION TOOL Ausdruckwerkzeug Nr.: 872070-1					

THIS DRAWING IS A CONTROLLED DOCUMENT. DIESE ZEICHNUNG IST EIN KONTROLLIERTES DOKUMENT.		DIN C. Goeltz 25-JUN-2001	TE Connectivity
		CIK J. Granzow 25-JUN-2001	
DIMENSIONS: DIMENSIONEN mm	TOLERANCES UNLESS OTHERWISE SPECIFIED: ALLE TOLERANZEN	APVD	NAME
0-FRE ± 0.15 mm	1-PL ± -	PRODUCT SPEC 108-18027	DIA. 2.5MM SOCKET CONTACT DIA 2.5mm Buchsenkontakt
2-PL ± -	3-PL ± -	APPLICATION SPEC 114-18020	SIZE CASE CODE DRAWING NO. 114-18020
4-PL ± -	ANGLES / WINKEL ± 1°	WEIGHT GEWICHT	A100779 1355065
MATERIAL SEE TABLE	FINISH / OBERFLÄCHE / FARBE SEE TABLE	CUSTOMER DRAWING / KUNDENZEICHNUNG	SCALE MASSSTAB 5:1 SHEET BLATT 1 von 1 REV A6