



Chipsmall Limited consists of a professional team with an average of over 10 year of expertise in the distribution of electronic components. Based in Hongkong, we have already established firm and mutual-benefit business relationships with customers from,Europe,America and south Asia,supplying obsolete and hard-to-find components to meet their specific needs.

With the principle of “Quality Parts,Customers Priority,Honest Operation,and Considerate Service”,our business mainly focus on the distribution of electronic components. Line cards we deal with include Microchip,ALPS,ROHM,Xilinx,Pulse,ON,Everlight and Freescale. Main products comprise IC,Modules,Potentiometer,IC Socket,Relay,Connector.Our parts cover such applications as commercial,industrial, and automotives areas.

We are looking forward to setting up business relationship with you and hope to provide you with the best service and solution. Let us make a better world for our industry!



Contact us

Tel: +86-755-8981 8866 Fax: +86-755-8427 6832

Email & Skype: info@chipsmall.com Web: www.chipsmall.com

Address: A1208, Overseas Decoration Building, #122 Zhenhua RD., Futian, Shenzhen, China



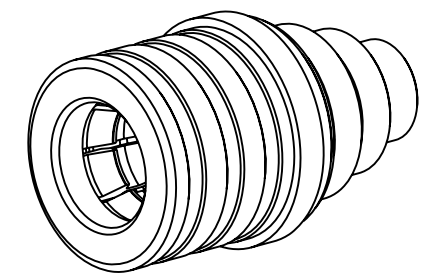
NOTES:

1. MATERIALS AND FINISHES(PLATING THICKNESS IN MICRO-INCHES):
 BODY - BRASS, NICKEL PLATING
 CONTACT - PHOSPHOR BRONZE, GOLD PLATING
 INSULATOR - PTFE
 RESISTOR - NICHROME RESISTOR WITH BeO SUBSTRATE.
2. ELECTRICAL:
 A. IMPEDANCE: 50 OHM
 B. FREQUENCY RANGE: DC - 6.0 GHz
 C. VSWR(RETURN LOSS):
 DC-3 GHz 1.10 (-26.44 dB), MAX.
 3-6 GHz 1.15 (-23.13 dB), MAX.
 D. AVG. POWER: 2 WATT (POWER DERATED LINEARLY FROM 20°C TO 1 WATTS AT 125°C)
 E. PEAK POWER: 200 WATTS (PEAK POWER FOR A 1% DUTY CYCLE OF 0.0005 MAXIMUM PULSE DURATION OF 5 MICROSECONDS)
3. MECHANICAL:
 A. DURABILITY: 100 CYCLES MIN.
 B. TEMPERATURE RANGE: -55° C TO +125° C

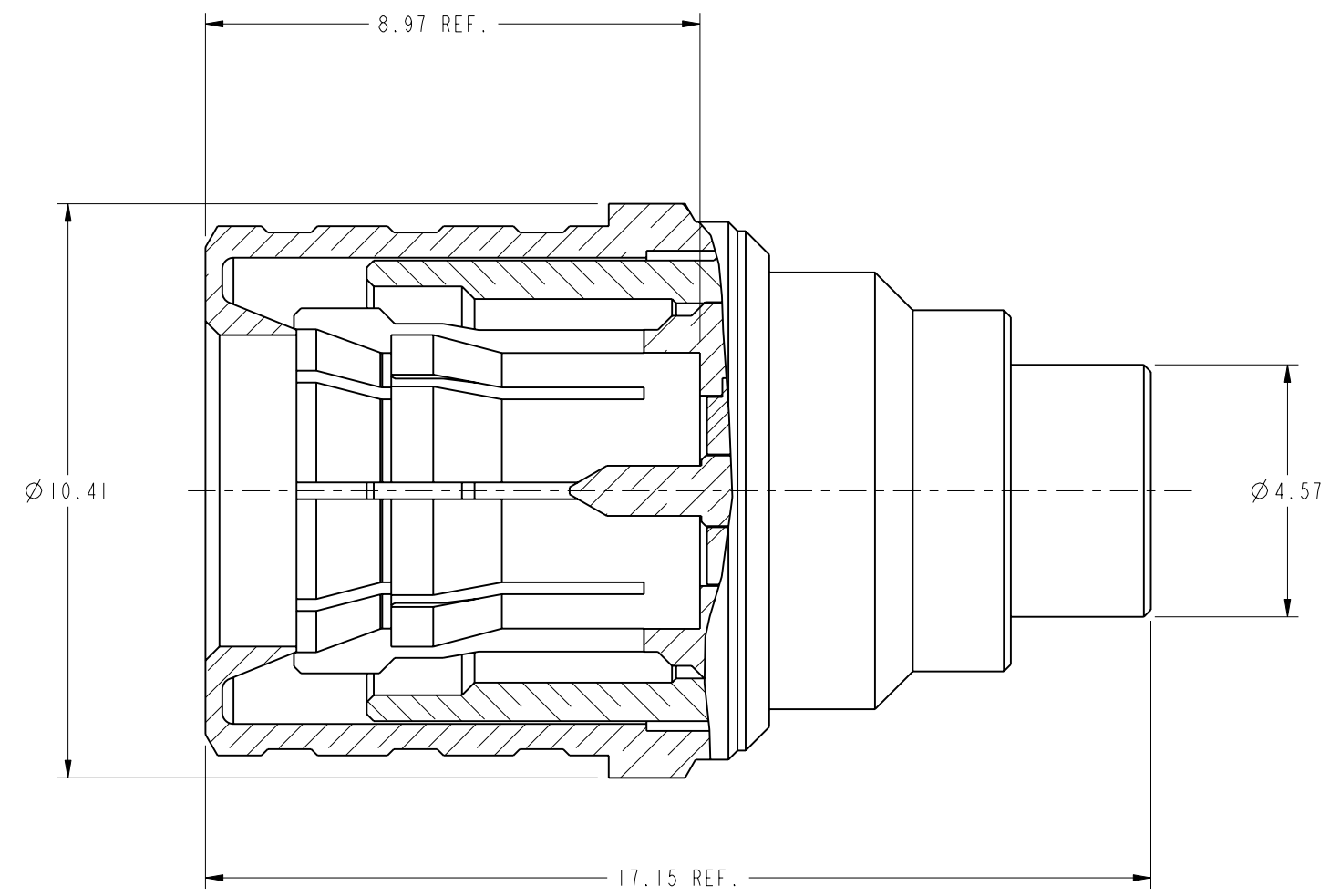
THIRD ANGLE PROJ.

REVISIONS

REV	DESCRIPTION	DATE	ECO	APPR
A	RELEASE TO MFG.	5/13/08	47060	MY
B	TRANSFER TO ARFA	24-May-10	48107	FW
C	SEE SHEET 1	21-May-12	48285	SH
D	SEE SHEET 1	03-Dec-14	50119	SH



SCALE 3.000



CUSTOMER OUTLINE DRAWING
 ALL OTHER SHEETS ARE FOR INTERNAL USE ONLY

UNLESS OTHERWISE SPECIFIED, DIMENSIONS ARE IN METRIC AND TOLERANCES ARE: <0.5mm ±0.05mm 0.5 - 6mm ±0.1mm 6 - 30mm ±0.2mm 30 - 120mm ±0.3mm ANGLES ±1° NOTICE - These drawings, specifications, or other data (1) are, and remain the property of Amphenol corp. (2) must be returned upon request; and (3) are confidential and not to be disclosed to any person other than those to whom they are given by Amphenol Corp. the furnishing of these drawings, specifications, or other data by Amphenol Corp., or to any other person to anyone for any purpose is not to be regarded by implication or otherwise in any manner licensing, granting rights to permitting such holder or any other sperson to manufacture, use or sell any product, process or design, patented or otherwisle, that may in any way be related to or disclosed by said drawings, specifications, or other data.	MATERIAL	DRAWN L.QIN	DATE 02-Dec-14	TITLE QMA PLUG, 1 WATT TERMINATION	Amphenol RF Danbury CT USA, Tainan, Taiwan, Shenzhen, China www.amphenolrf.com DRAWING NO.930-187P-51T ITEM NO.930-187P-51T PART NO.930-187P-51T	
	REFERENCE EAR# 2890 AND	ENGINEER MY	DATE 24-May-10			SCALE: 8.0:1.0 SHEET 2 OF 2
	CONFIGURATION LEVEL: RELEASE TO MFG.	APPROVED S.HSIEH	DATE 02-Dec-14	DWG SIZE B		REV D
	FINISH	I:/QMA/930-187P-51T				