



Chipsmall Limited consists of a professional team with an average of over 10 year of expertise in the distribution of electronic components. Based in Hongkong, we have already established firm and mutual-benefit business relationships with customers from,Europe,America and south Asia,supplying obsolete and hard-to-find components to meet their specific needs.

With the principle of “Quality Parts,Customers Priority,Honest Operation,and Considerate Service”,our business mainly focus on the distribution of electronic components. Line cards we deal with include Microchip,ALPS,ROHM,Xilinx,Pulse,ON,Everlight and Freescale. Main products comprise IC,Modules,Potentiometer,IC Socket,Relay,Connector.Our parts cover such applications as commercial,industrial, and automotives areas.

We are looking forward to setting up business relationship with you and hope to provide you with the best service and solution. Let us make a better world for our industry!



Contact us

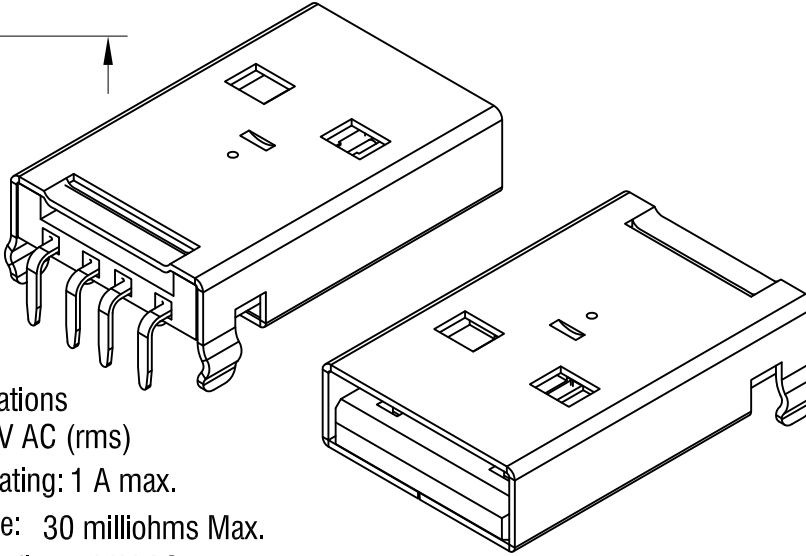
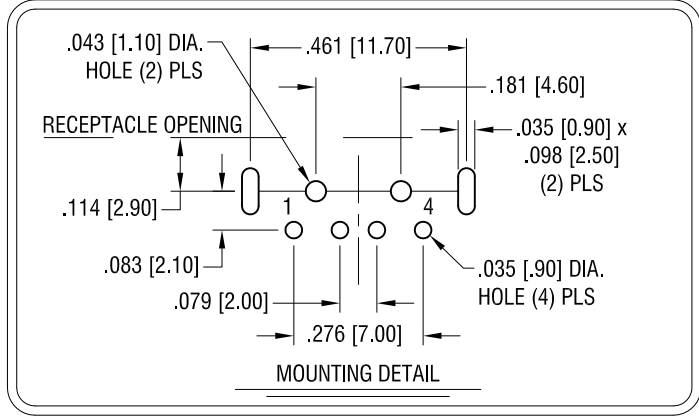
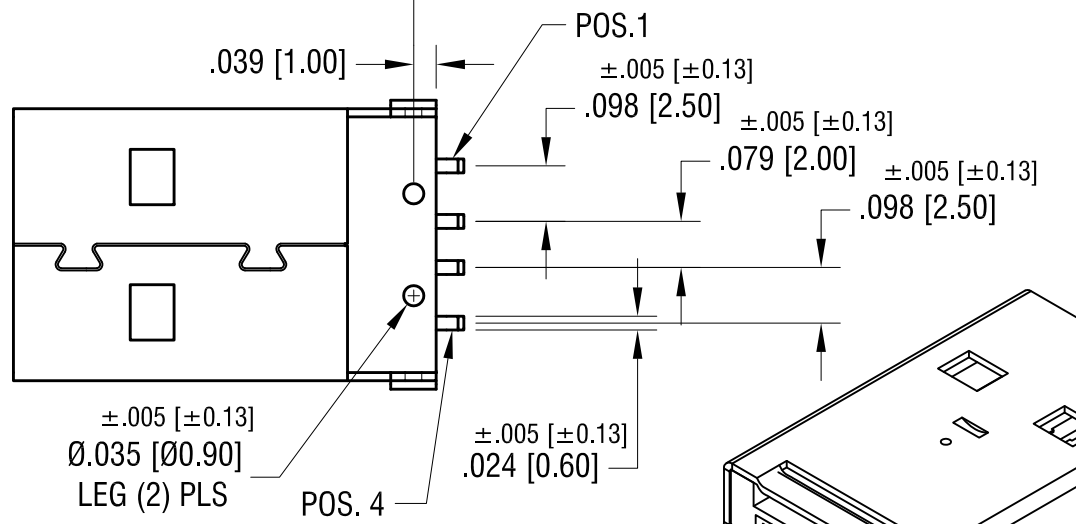
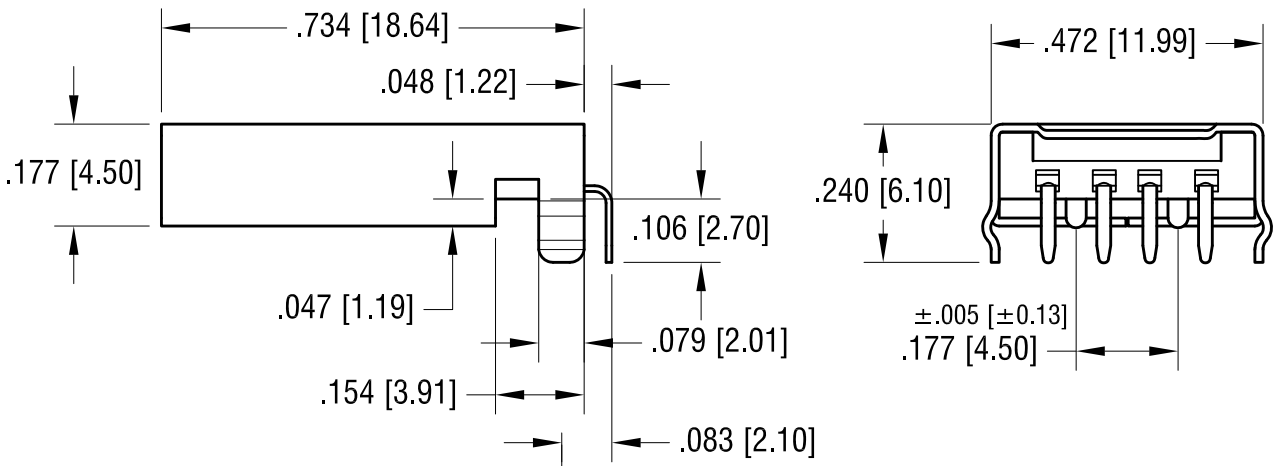
Tel: +86-755-8981 8866 Fax: +86-755-8427 6832

Email & Skype: info@chipsmall.com Web: www.chipsmall.com

Address: A1208, Overseas Decoration Building, #122 Zhenhua RD., Futian, Shenzhen, China



| DATE | DESCRIPTION | REV. |
|----------|--------------------------|------|
| 12.22.09 | CHANGE AS PER ECN 09-193 | A |
| 6.01.11 | CHANGE AS PER ECN 11-078 | B |



Notes:
 Material:
 Shell: Steel, Nickel Plate.
 Insulator: PBT, UL 94-V0
 Contacts: Phosphor Bronze
 Finish:
 Contact Area: Gold Plate over Nickel Plate
 on Solder Tail: Tin Plate over Nickel Plate

Electrical Specifications
 Rated Voltage: 30V AC (rms)
 Contact Current Rating: 1 A max.
 Contact Resistance: 30 milliohms Max.
 Dielectric Withstanding: 500V AC
 Operating Temperature: -20°C to 85°C

THIS DOCUMENT IS THE PROPERTY OF KEYSTONE ELECTRONICS CORP. AND SHALL NOT BE REPRODUCED, DISTRIBUTED OR USED AS A BASIS FOR MANUFACTURE WITHOUT PRIOR WRITTEN PERMISSION FROM KEYSTONE ELECTRONICS CORP.

| | | | |
|---|--------|----------|------------|
| KEYSTONE ELECTRONICS CORP. | | | |
| www.keyelco.com • ASTORIA, N.Y. 11105-2017 • Tel (718) 956-8900 | | | |
| PART NAME | | | |
| USB A-TYPE HORIZONTAL PC PLUG | | | |
| MATERIAL | | | |
| AS NOTED | | | |
| FINISH | DRN BY | DATE | |
| AS NOTED | BOONE | 6.13.06 | |
| | APPD | SCALE | |
| | LN | 3X | |
| TOLERANCES | INCH | [MM] | CODE |
| DECIMAL | ± .010 | [± 0.25] | C/M |
| ANGULAR | ± 1° | | DWG NO. |
| | | | 932 |
| UNLESS OTHERWISE SPECIFIED | | | |