



Chipsmall Limited consists of a professional team with an average of over 10 year of expertise in the distribution of electronic components. Based in Hongkong, we have already established firm and mutual-benefit business relationships with customers from,Europe,America and south Asia,supplying obsolete and hard-to-find components to meet their specific needs.

With the principle of “Quality Parts,Customers Priority,Honest Operation,and Considerate Service”,our business mainly focus on the distribution of electronic components. Line cards we deal with include Microchip,ALPS,ROHM,Xilinx,Pulse,ON,Everlight and Freescale. Main products comprise IC,Modules,Potentiometer,IC Socket,Relay,Connector.Our parts cover such applications as commercial,industrial, and automotives areas.

We are looking forward to setting up business relationship with you and hope to provide you with the best service and solution. Let us make a better world for our industry!



## Contact us

Tel: +86-755-8981 8866 Fax: +86-755-8427 6832

Email & Skype: info@chipsmall.com Web: www.chipsmall.com

Address: A1208, Overseas Decoration Building, #122 Zhenhua RD., Futian, Shenzhen, China



4

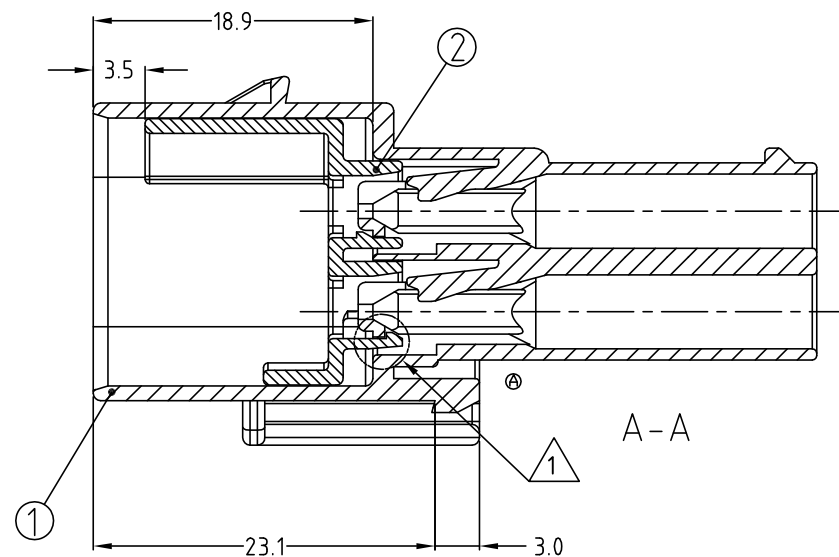
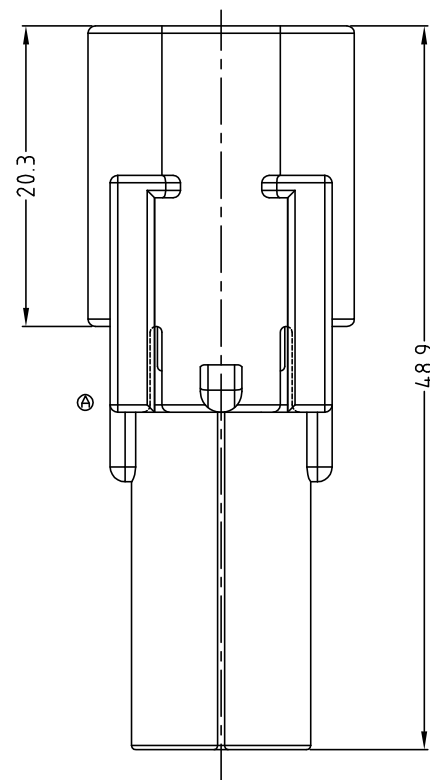
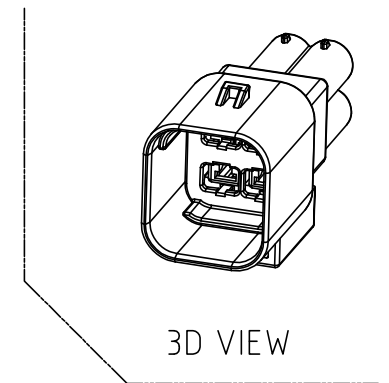
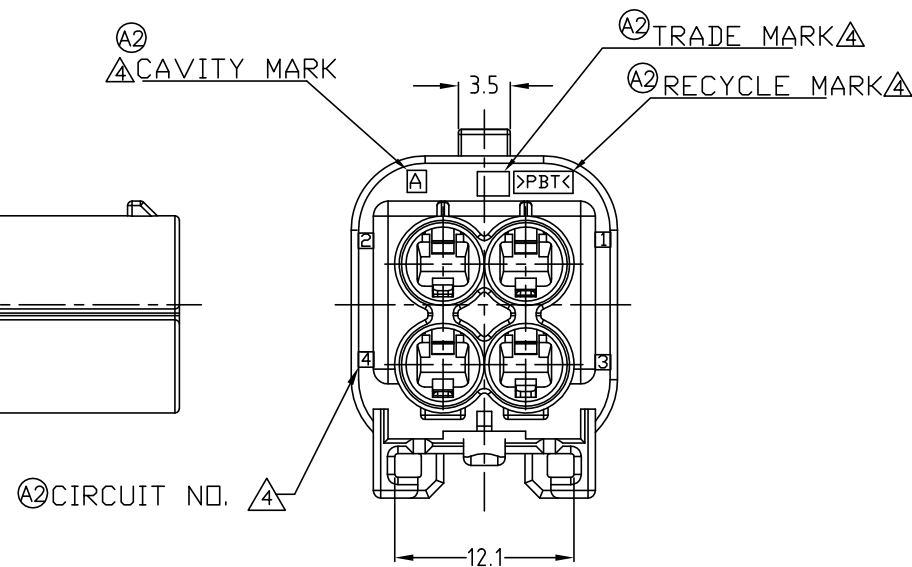
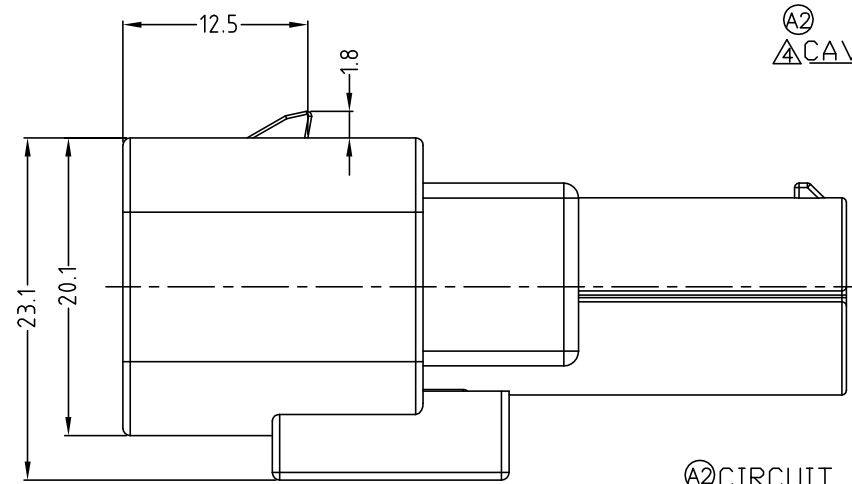
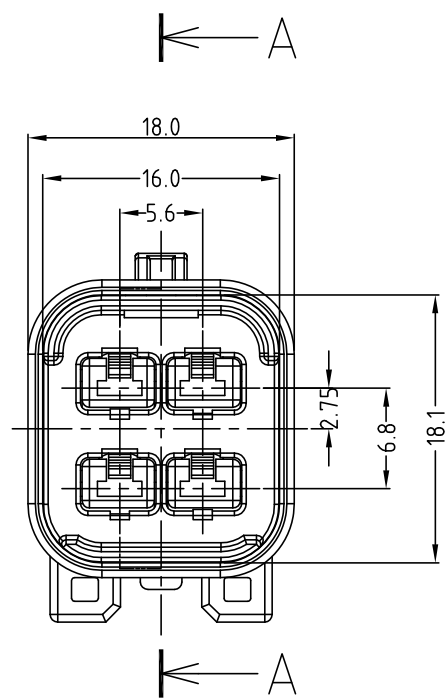
3

2

1

THIS DRAWING IS UNPUBLISHED. RELEASED FOR PUBLICATION  
COPYRIGHT BY TYCO ELECTRONICS CORPORATION, ALL RIGHTS RESERVED.

LOC	DIST	REVISIONS					
		P	LTR	DESCRIPTION	DATE	DWN	APVD
DS	-		A	REVISED(FC00-0317-04)	07,DEC,'04	JG	CS
			A1	REVISED(ECR-06-013973)	09,JUN,'06	YH	JK
			A2	REVISED(ECR-10-017371)	14,SEP,'10	SJ	HG



NOTES

- 1. CONDITION OF DELIVERY : DBL PLATE IN OPEN POSITION.
- 2. APPLIED TAB CONTACT P/N :

CONTACT	MCP-E TERMINAL	
Part No.	936612-1	936613-1
WIRE SIZE(mm <sup>2</sup> )	1.0 ~ 2.5	0.5 ~ 1.0

- 3. APPLIED FEMALE CONNECTOR P/N : 936254
- 4. ALL CHARACTERS SHALL BE CLEAR AND LEGIBLE
  - TRADE MARK: 1.0 CHARACTERS 0.2 RAISED
  - CAVITY MARK & CURCUIT NO: 1.0 CHARACTERS 0.2 RAISED
  - RECYCLE MARK: 1.0 CHARACTEERS 0.2 RAISED

NO	DESCRIPTION	MATERIAL	COLOR /FINISH	ASS'Y FOR Q'TY	A	A	REV
2	DBL HOUSING	PBT GF10	WHITE	1	1		
1	CAP HOUSING	PBT	GRAY	1	•		
			BLACK	•	1		
					0-936293-3	0-936293-2	ASS'Y P/N

THIS DRAWING IS A CONTROLLED DOCUMENT FOR TYCO ELECTRONICS CORPORATION IT IS SUBJECT TO CHANGE AND THE CONTROLLING ENGINEERING ORGANIZATION SHOULD BE CONTACTED FOR THE LATEST REVISION.		DWN SJ CHOI
DIMENSIONS: MM	TOLERANCES UNLESS OTHERWISE SPECIFIED: 0 <XXX<10 ± 0.2 10<XXX<30 ± 0.25 30<XXX ± 0.3 ANGLES ± 3°	CHK JW JUNG
		APVD HG CHD
MATERIAL SEE TABLE	FINISH SEE TABLE	PRODUCT SPEC -
		APPLICATION SPEC -
		WEIGHT -

Tyco Electronics Tyco Electronics kyungsan, korea		NAME
MCP-E SEALED 4P CAP ASSEMBLY		
SIZE	CAGE CODE	DRAWING NO
A3	00779	C-936293
CUSTOMER DRAWING		RESTRICTED TO -
SCALE	SHEET	OF
2/1	1	1
	REV	A2