



Chipsmall Limited consists of a professional team with an average of over 10 year of expertise in the distribution of electronic components. Based in Hongkong, we have already established firm and mutual-benefit business relationships with customers from,Europe,America and south Asia,supplying obsolete and hard-to-find components to meet their specific needs.

With the principle of “Quality Parts,Customers Priority,Honest Operation,and Considerate Service”,our business mainly focus on the distribution of electronic components. Line cards we deal with include Microchip,ALPS,ROHM,Xilinx,Pulse,ON,Everlight and Freescale. Main products comprise IC,Modules,Potentiometer,IC Socket,Relay,Connector.Our parts cover such applications as commercial,industrial, and automotives areas.

We are looking forward to setting up business relationship with you and hope to provide you with the best service and solution. Let us make a better world for our industry!



Contact us

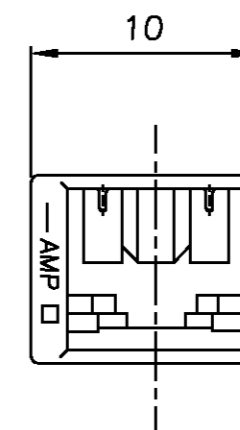
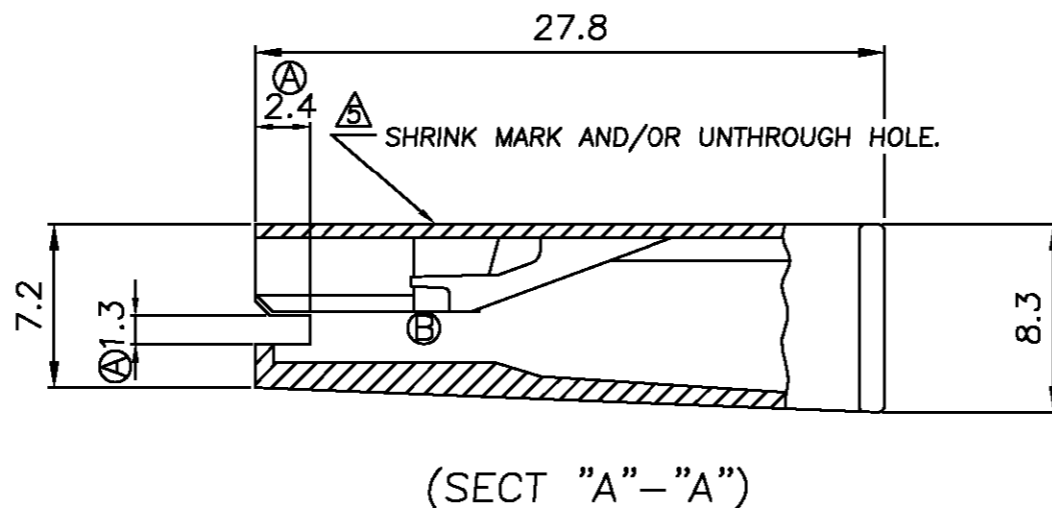
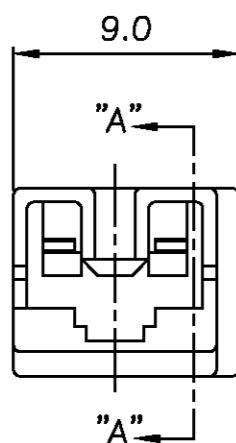
Tel: +86-755-8981 8866 Fax: +86-755-8427 6832

Email & Skype: info@chipsmall.com Web: www.chipsmall.com

Address: A1208, Overseas Decoration Building, #122 Zhenhua RD., Futian, Shenzhen, China



P	LTR	DESCRIPTION	DATE	DWN	APVD
	0	RELEASED PER FC00-0105-02	9/JUL/02	BW	CS
	A	REVISED PER FC00-0258-04	21/OCT/04	SC	CS
	B	REVISED PER FC00-0320-04	04/JAN/05	SC	CS



NOTES;

1. PRODUCT SPECIFICATION 108-5127.
2. APPLICABLE CONTACT
P/N ; 170327, 170328, 170329
3. SEE CP78-26023. ABOUT APPLICABLE TAB.

▲ MATERIAL ; PBT (94V-0)

▲ THERE ARE A FEW CASES THAT SHRINK MARK AND/OR UNTHROUGH HOLE OCCURS IN THIS AREA, BUT NOT INFLUENCE TO CONN. FUNCTION.

NATURAL	936361-1
COLOR	P/N

DWN S.C.KIM		tyco Electronics		AMP KOREA. kyungsan, korea	
CHK B.W.KANG				NAME "250" SERIES	
APVD C.S.LEE		PRODUCT SPEC SEE NOTE		1 POS. POSITIVE LOCK(MARK-II)REC.HSG	
APPLICATION SPEC		SIZE A3	CAGE CODE 00779	DRAWING NO 936361	
MATERIAL SEE NOTE		WEIGHT		SCALE N.S	SHEET 1 OF 1
DIMENSIONS: MM		TOLERANCES UNLESS OTHERWISE SPECIFIED:		REV B	
3rd ANGLE PROJECTION		0 <XX<10 ± 0.2 10 <XX<30 ± 0.25 30 <XX ± 0.3 ANGLES ± 3'			