



Chipsmall Limited consists of a professional team with an average of over 10 year of expertise in the distribution of electronic components. Based in Hongkong, we have already established firm and mutual-benefit business relationships with customers from,Europe,America and south Asia,supplying obsolete and hard-to-find components to meet their specific needs.

With the principle of "Quality Parts,Customers Priority,Honest Operation,and Considerate Service",our business mainly focus on the distribution of electronic components. Line cards we deal with include Microchip,ALPS,ROHM,Xilinx,Pulse,ON,Everlight and Freescale. Main products comprise IC,Modules,Potentiometer,IC Socket,Relay,Connector.Our parts cover such applications as commercial,industrial, and automotives areas.

We are looking forward to setting up business relationship with you and hope to provide you with the best service and solution. Let us make a better world for our industry!



Contact us

Tel: +86-755-8981 8866 Fax: +86-755-8427 6832

Email & Skype: info@chipsmall.com Web: www.chipsmall.com

Address: A1208, Overseas Decoration Building, #122 Zhenhua RD., Futian, Shenzhen, China

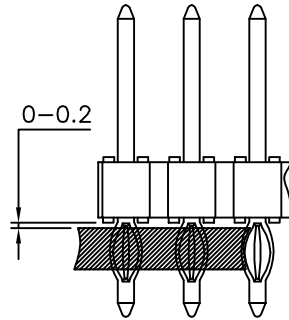


PRODUCT NUMBER
93689-YXX-XXLF

PLATING, SEE TABLE

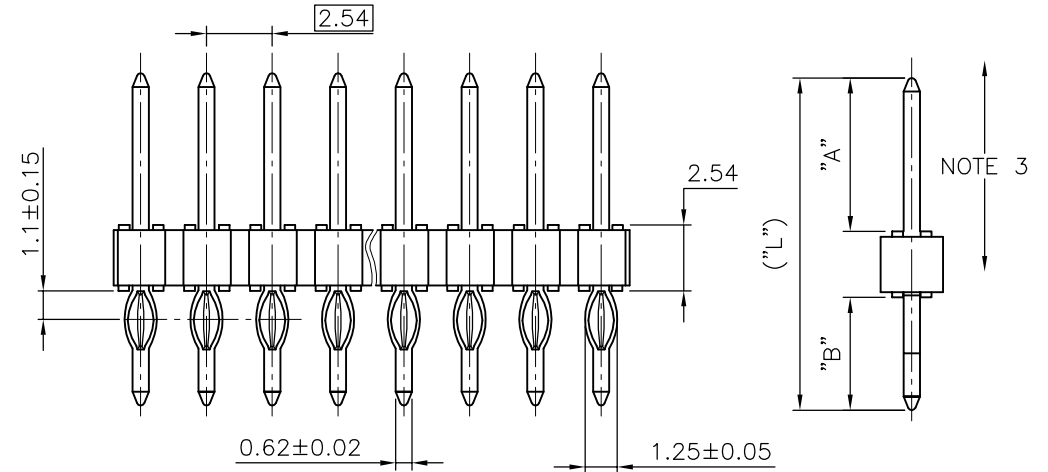
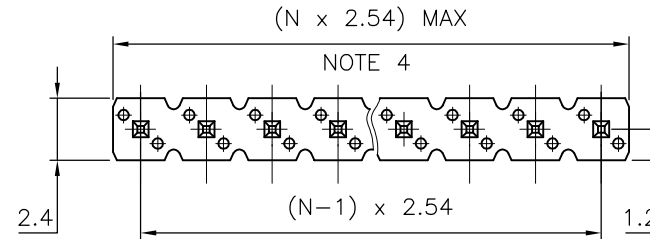
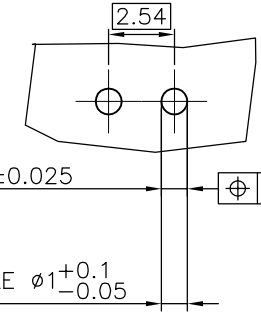
LEAD FREE
SEE NOTE 6 & 7
TOTAL NB OF POS
02 TO 36

PIN STYLE	DIM "A" REF	DIM "B" ±0.3	DIM "L" REF
01	7.50	4.50	14.78
02	10.14	4.50	17.40
03	5.68	4.50	12.83
04	14.80	4.75	22.15
05	8.30	4.50	15.44
06	6.80	3.60	12.90
07	17.50	3.60	23.85
08	12.20	3.00	17.74
09	9.26	3.20	14.96



RECOMMENDED POSITION ON THE PCB

DRILLED HOLE $\phi 1.15 \pm 0.025$
Cu 25 μ m-65 μ m
Sn 8 μ m-18 μ m
FINISHED PLATED HOLE $\phi 1^{+0.1}_{-0.05}$



NOTES:

- HOUSING MAT'L : HIGH TEMPERATURE THERMOPLASTIC. UL94V-0 COLOR: BLACK
- PIN MATERIAL : PHOSPHOR BRONZE
- 9N MIN RETENTION IN EITHER DIRECTION
- TO DETERMINE DIMENSIONS :
N = NUMBER OF POSITIONS PER ROW
EXAMPLE : 8 POS PER ROW, N x 2.54 = 20.32mm
- STANDARD PACKAGING IN POLYBAGS
- LEAD FREE CONNECTOR
- "LF" MEANS THAT THE PRODUCT IS RoHS COMPLIANT THEN MEETS EUROPEAN UNION DIRECTIVES AND OTHER COUNTRY REGULATION AS DESCRIBED IN GS-47-004

XXXXX-TXXLF	2 μ m MIN FULL MATTE TIN PIN TYP PLATED OVER 1.27 μ m Ni MIN	
XXXXX-9XXLF	0.2 μ m GOLD OVER 1.27 μ m Ni MIN	
XXXXX-5XXLF	0.25 μ m GOLD/GXT OVER 1.27 μ m Ni MIN	1.0 μ m TIN OVER 1.27 μ m
XXXXX-4XXLF	3.05 μ m TIN OVER 1.27 μ m Ni MIN	
XXXXX-1XXLF	0.76 μ m GOLD/GXT OVER 1.27 μ m Ni MIN	1.0 μ m TIN OVER 1.27 μ m
PLATING NUMBER	CONTACT AREA	PRESS FIT TAIL AREA

mat'l. code	surface ISO 1302	tolerance ISO 406 ISO 1101	projection	product family BSTIK
ltr	ecn no	dr	date	tolerances unless otherwise specified
R	B-20781	AMA	15.04.28	linear
				.x ±0.3 .xx ±0.15 .xxx ±0.05
L	B-16777	JCO	14.01.21	dr COMPAGNON J 95.07.25
M	B-18988	LMU	14.10.06	engr JMC 95.07.24
N	B-16427	LMU	14.11.04	chr
P	B-20744	LMU	15.04.23	appd JMC 95.07.25
sheet index	revision sheet			

title
**HEADER P-FIT
SINGLE ROW**
dwg no 93689 sheet 1 of 1 size A3
type CUSTOMER Drawing