



Chipsmall Limited consists of a professional team with an average of over 10 year of expertise in the distribution of electronic components. Based in Hongkong, we have already established firm and mutual-benefit business relationships with customers from,Europe,America and south Asia,supplying obsolete and hard-to-find components to meet their specific needs.

With the principle of "Quality Parts,Customers Priority,Honest Operation,and Considerate Service",our business mainly focus on the distribution of electronic components. Line cards we deal with include Microchip,ALPS,ROHM,Xilinx,Pulse,ON,Everlight and Freescale. Main products comprise IC,Modules,Potentiometer,IC Socket,Relay,Connector.Our parts cover such applications as commercial,industrial, and automotives areas.

We are looking forward to setting up business relationship with you and hope to provide you with the best service and solution. Let us make a better world for our industry!



## Contact us

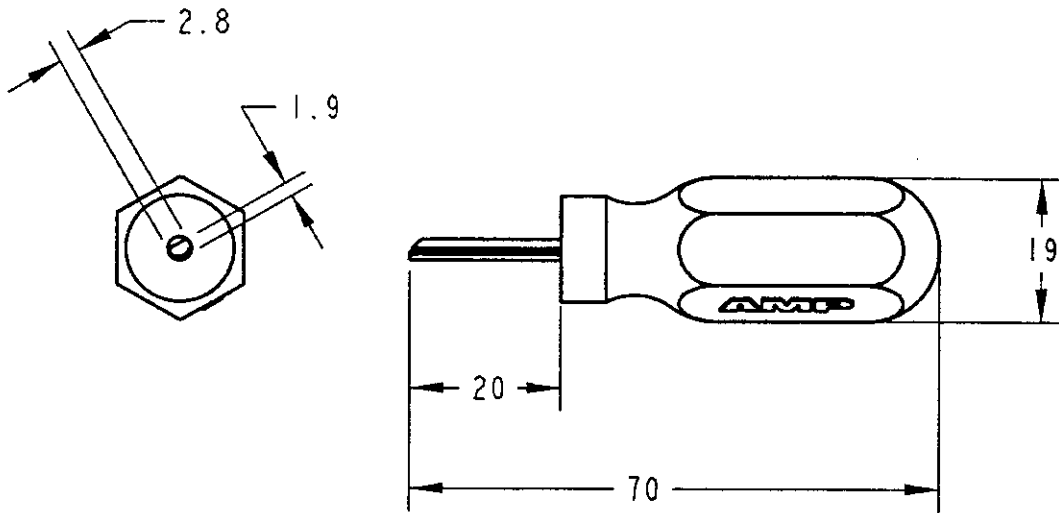
Tel: +86-755-8981 8866 Fax: +86-755-8427 6832

Email & Skype: info@chipsmall.com Web: www.chipsmall.com

Address: A1208, Overseas Decoration Building, #122 Zhenhua RD., Futian, Shenzhen, China



LOC	DIST	REVISIONS						
		P	LTR	DESCRIPTION	ECN	DATE	DWN	APVD
J	-		0	RELEASED	FJ00-0704-97	14MAY97	J.K	H.T



- APPLICABLE PRODUCTS

TERMINAL (STRIP): 171630-□ / 171662-□ EJ-II, EJ-II<sup>+</sup> REC

HOUSING PLUG: 174352-□ EJ-II, EJ-II<sup>+</sup>
- INSTRUCTION SHEET NO: 411-5821

RELEASED FOR PUBLICATION .1997.XX.XX

THIS DRAWING IS UNPUBLISHED.

© COPYRIGHT 1997.XX.XX BY AMP INCORPORATED. ALL RIGHTS RESERVED.

DIMENSIONS: 単位: 英 mm		DWN J.K 14-May-97	WIRE RANGE 適合電線番号種	INSULATION DIA 被覆外径
TOLERANCES UNLESS OTHERWISE SPECIFIED: 公差 10 > : ±0.2 30 > : ±0.25 100 > : ±0.3 ANGLE : 1/2°		CHK J.KOGA 14 MAY 97	MATERIAL 材料	FINISH 仕上
<del>           PRODUCT SPEC            製品仕様            APPLICATION SPEC            取付適用仕様            WEIGHT         </del>		APVD H.TANAKA 14 MAY 97	<b>AMP</b> 日本エー・エル・ピー株式会社 Kawasaki, Japan	
		NAME 名称 EXT-TOOL FOR 070 EJ-II CONN		
CUSTOMER DRAWING		SIZE A4	CAGE CODE 00779	DRAWING NO 番号 C-937313-1
		RESTRICTED TO	SCALE 尺度 1:1	SHEET 1 OF 1 REV 0