



Chipsmall Limited consists of a professional team with an average of over 10 year of expertise in the distribution of electronic components. Based in Hongkong, we have already established firm and mutual-benefit business relationships with customers from,Europe,America and south Asia,supplying obsolete and hard-to-find components to meet their specific needs.

With the principle of "Quality Parts,Customers Priority,Honest Operation,and Considerate Service",our business mainly focus on the distribution of electronic components. Line cards we deal with include Microchip,ALPS,ROHM,Xilinx,Pulse,ON,Everlight and Freescale. Main products comprise IC,Modules,Potentiometer,IC Socket,Relay,Connector.Our parts cover such applications as commercial,industrial, and automotives areas.

We are looking forward to setting up business relationship with you and hope to provide you with the best service and solution. Let us make a better world for our industry!



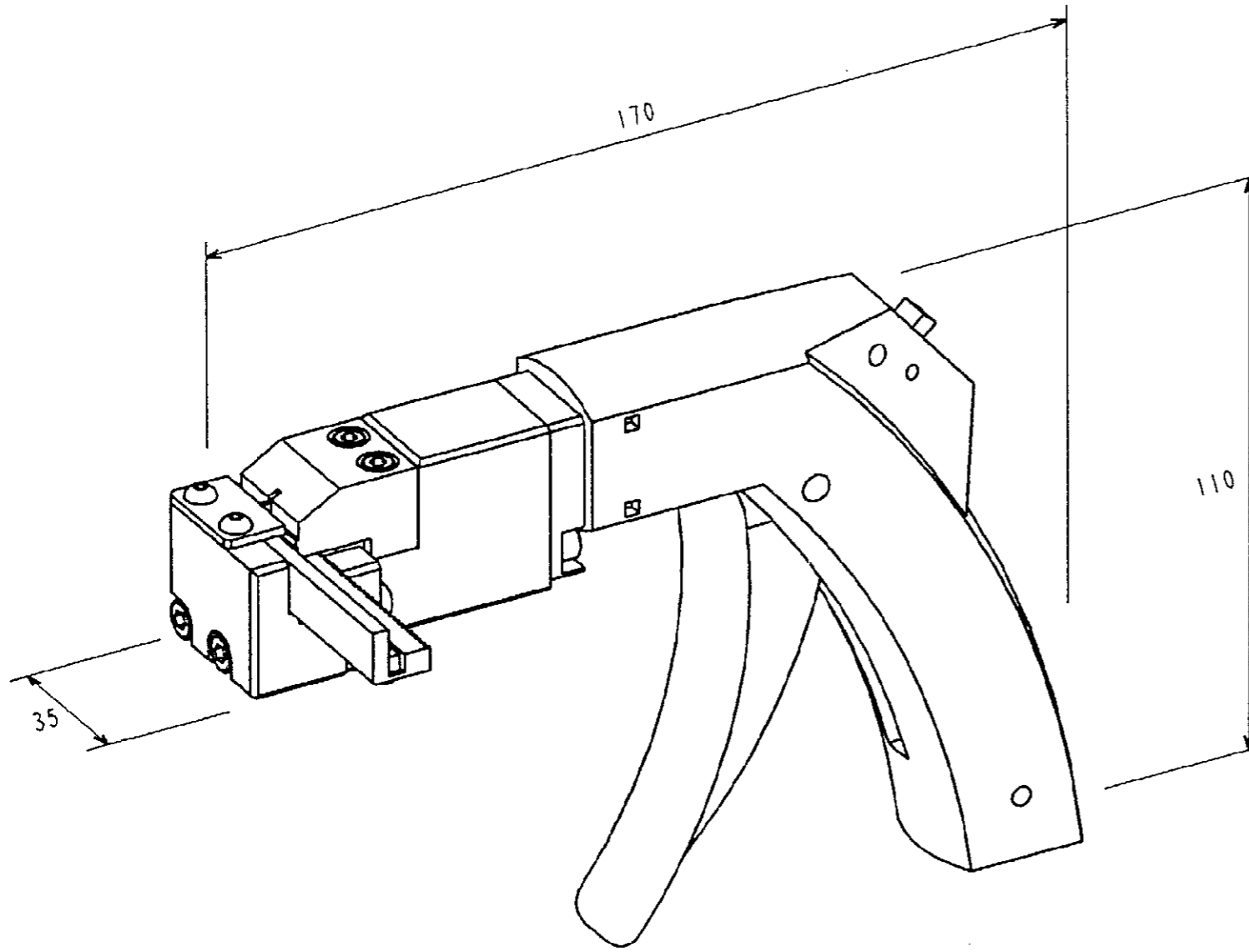
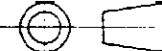
Contact us

Tel: +86-755-8981 8866 Fax: +86-755-8427 6832

Email & Skype: info@chipsmall.com Web: www.chipsmall.com

Address: A1208, Overseas Decoration Building, #122 Zhenhua RD., Futian, Shenzhen, China





通用コネクタ名、型番 (AMP PRODUCT APPLIDE)
 MINI CT コネクタ (MINI CT CONN.)
 □-353293-□

適用電線 (APPLICABLE WIER)
 UL-1571 AWG#28 UL-10272 AWG#26 その他 (OTHER)
 被覆外径 (OUTER DIAMETER) 0.8mm-0.9mm

取付適用規格 (APPLICATION SPEC.)
 114-5223

取扱説明書 (INSTRUCTION SHEET)
 411-5826

重量 (WEIGHT)
 約400g (APPROX. 400g)

PRINT DIST
単位：mm DIMENSIONS IN MM. DO NOT SCALE PRINT

				AMP 日本イーエムピー株式会社 TOKYO, JAPAN	
規格 (WIRE RANGE) mm ² (AWG)		被覆外径 (INSULATION DIA.) mm		名称 (NAME) ミニ CT ピistol ツール MINI CT PISTOL TOOL	
材料 (MATERIAL)		仕上 (FINISH)		取公差 10以下 ±0.2 10を超え 30以下 ±0.25 30を超え 100以下 ±0.3 角 度 ±0.3	
DR. 24 JUN 97 (H. MASUDA)		DE. 25 JUN 97		SIZE B	LOC J
LTR 変更 (REVISION RECORD)		DR. CHK. DATE		番号 (NO.) 937317-1	
CHK. 25 JUN 97 HYAGAWA		APP.		尺取 (SCALE) 1:1	REV. 0
				SHEET 1 OF 1	