



Chipsmall Limited consists of a professional team with an average of over 10 year of expertise in the distribution of electronic components. Based in Hongkong, we have already established firm and mutual-benefit business relationships with customers from,Europe,America and south Asia,supplying obsolete and hard-to-find components to meet their specific needs.

With the principle of “Quality Parts,Customers Priority,Honest Operation,and Considerate Service”,our business mainly focus on the distribution of electronic components. Line cards we deal with include Microchip,ALPS,ROHM,Xilinx,Pulse,ON,Everlight and Freescale. Main products comprise IC,Modules,Potentiometer,IC Socket,Relay,Connector.Our parts cover such applications as commercial,industrial, and automotives areas.

We are looking forward to setting up business relationship with you and hope to provide you with the best service and solution. Let us make a better world for our industry!



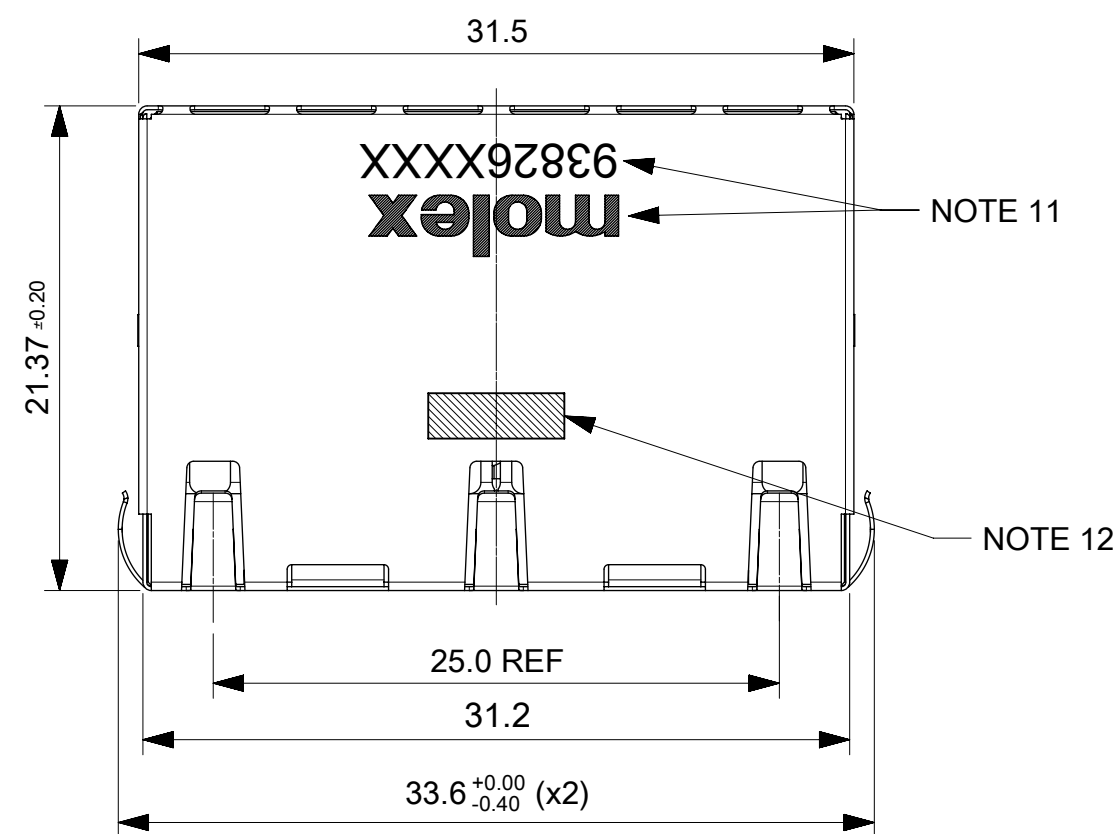
Contact us

Tel: +86-755-8981 8866 Fax: +86-755-8427 6832

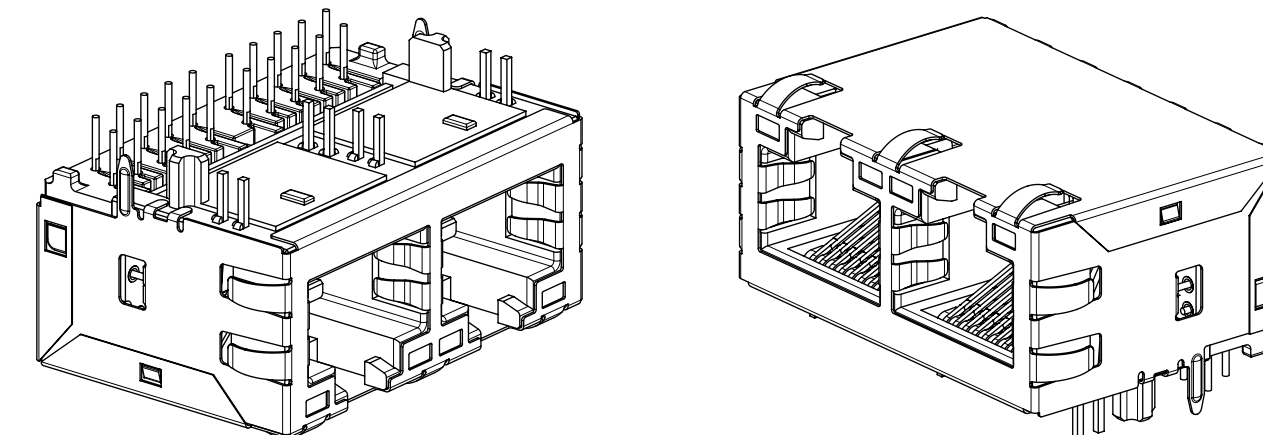
Email & Skype: info@chipsmall.com Web: www.chipsmall.com

Address: A1208, Overseas Decoration Building, #122 Zhenhua RD., Futian, Shenzhen, China

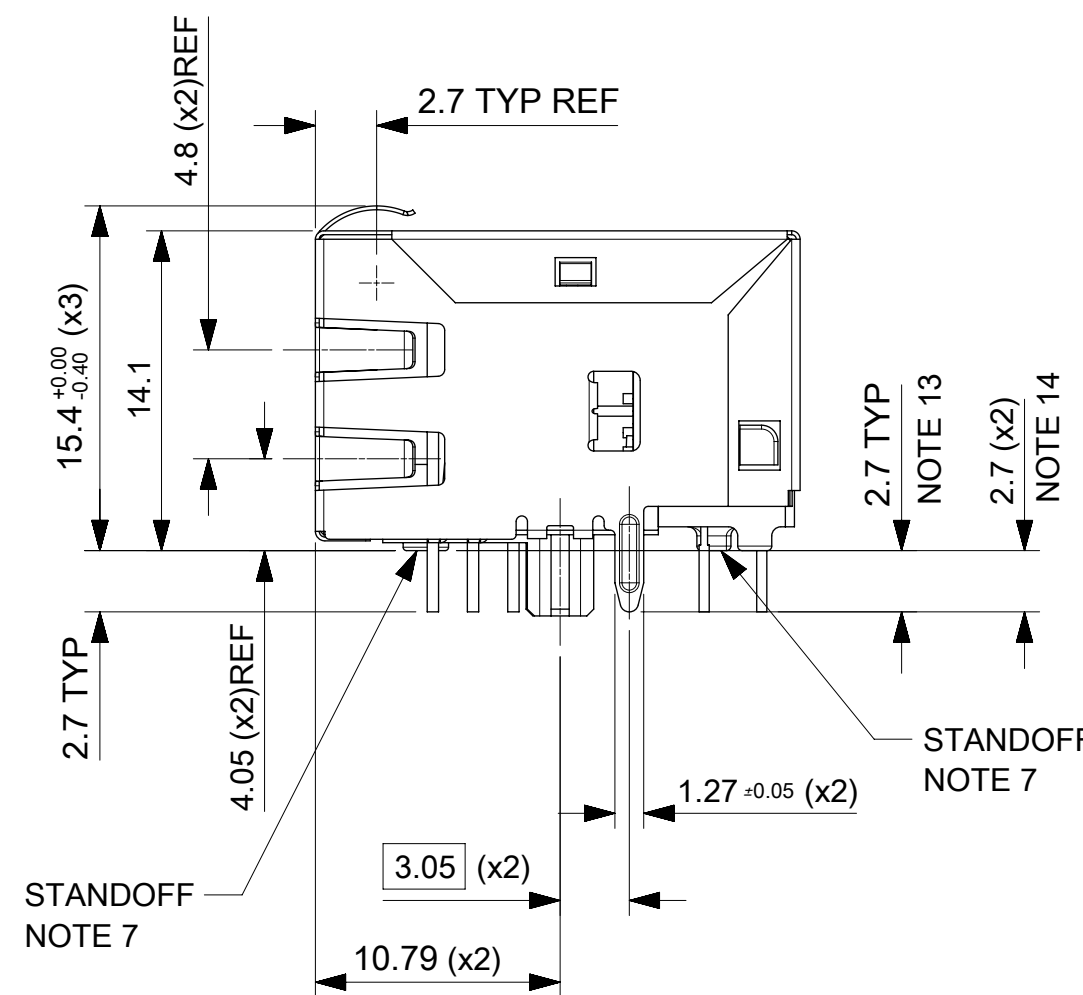
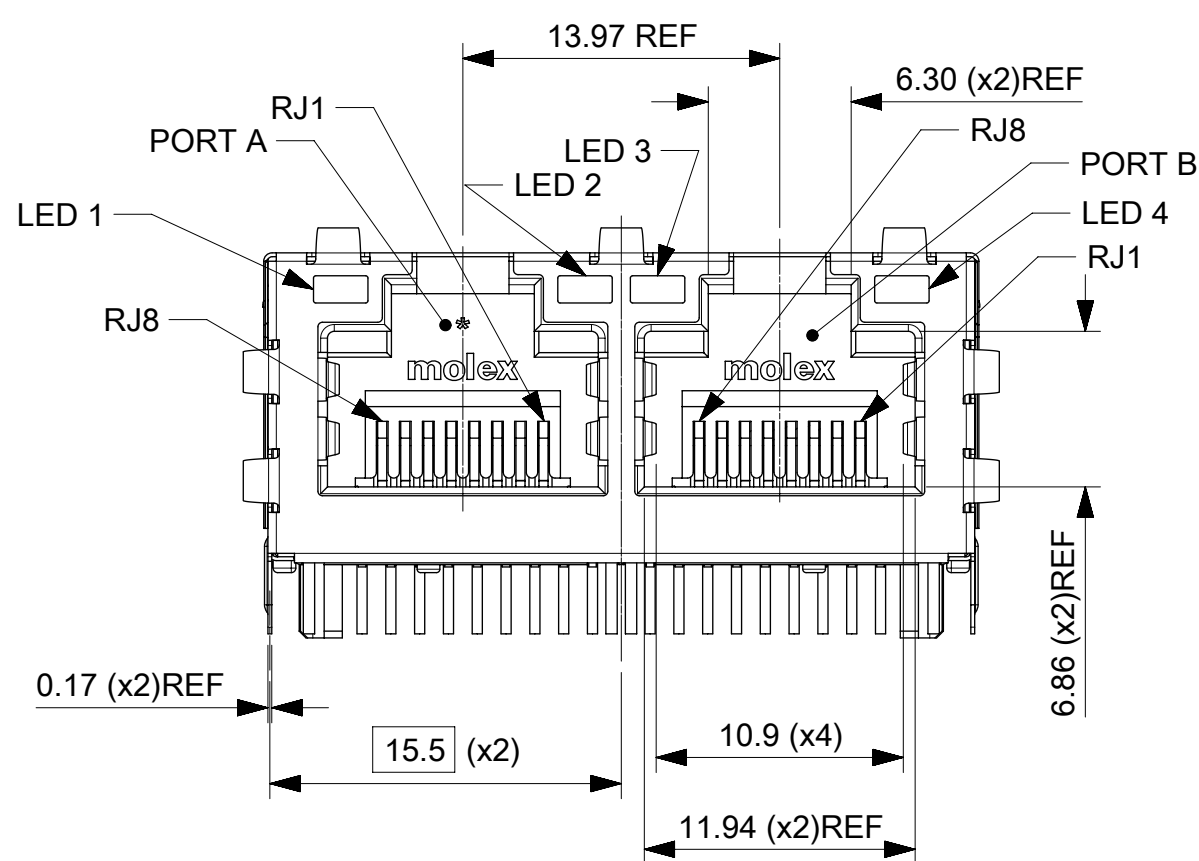




PART NO.	LED COLOR			
	LED 1	LED 2	LED 3	LED 4
938263006	GREEN	YELLOW	GREEN	YELLOW

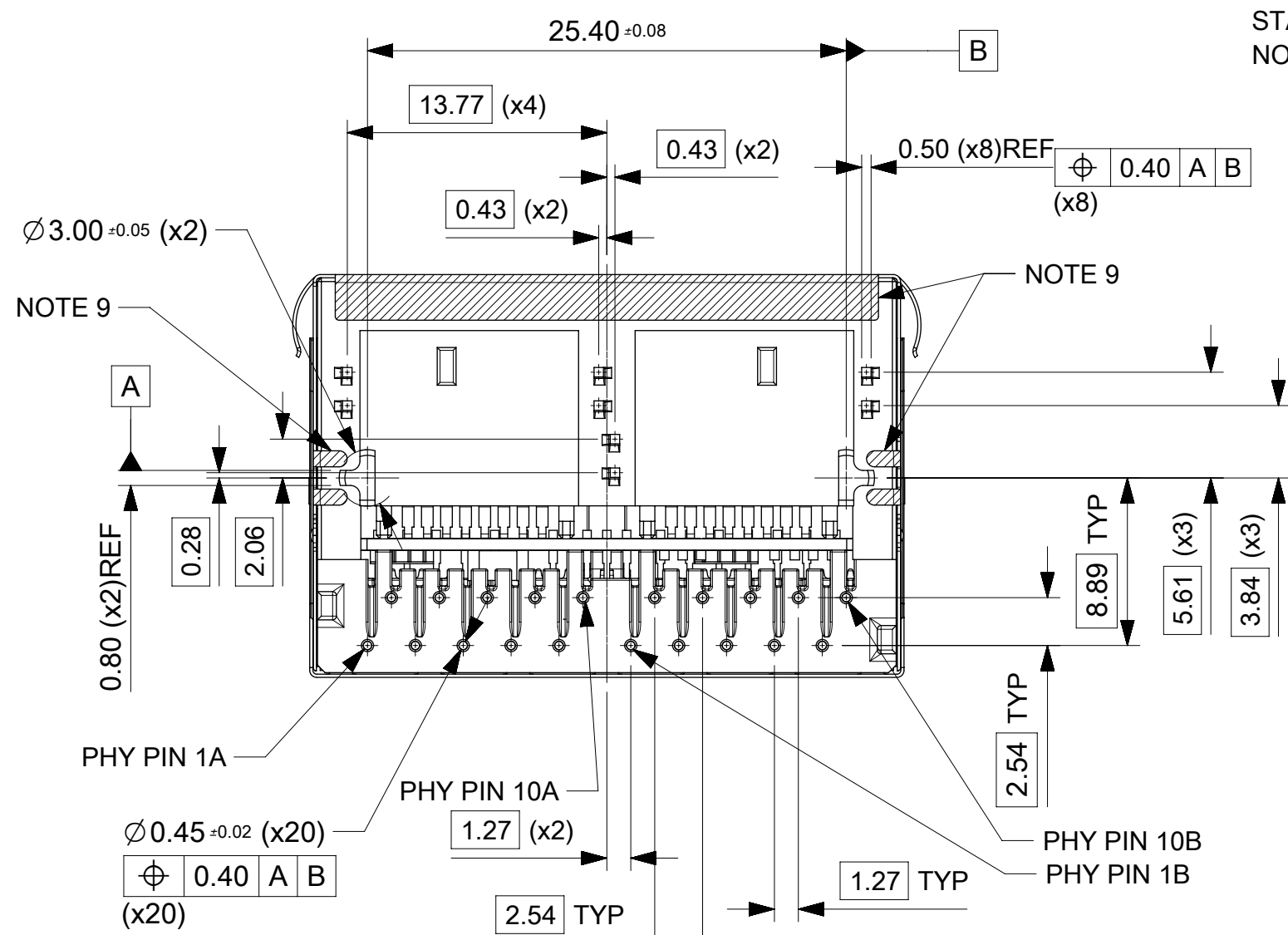


INVERTED PROFILE DUAL PORT MAGNETIC JACK
GIGABIT ETHERNET
WITH LED
WITH SHIELD TABS



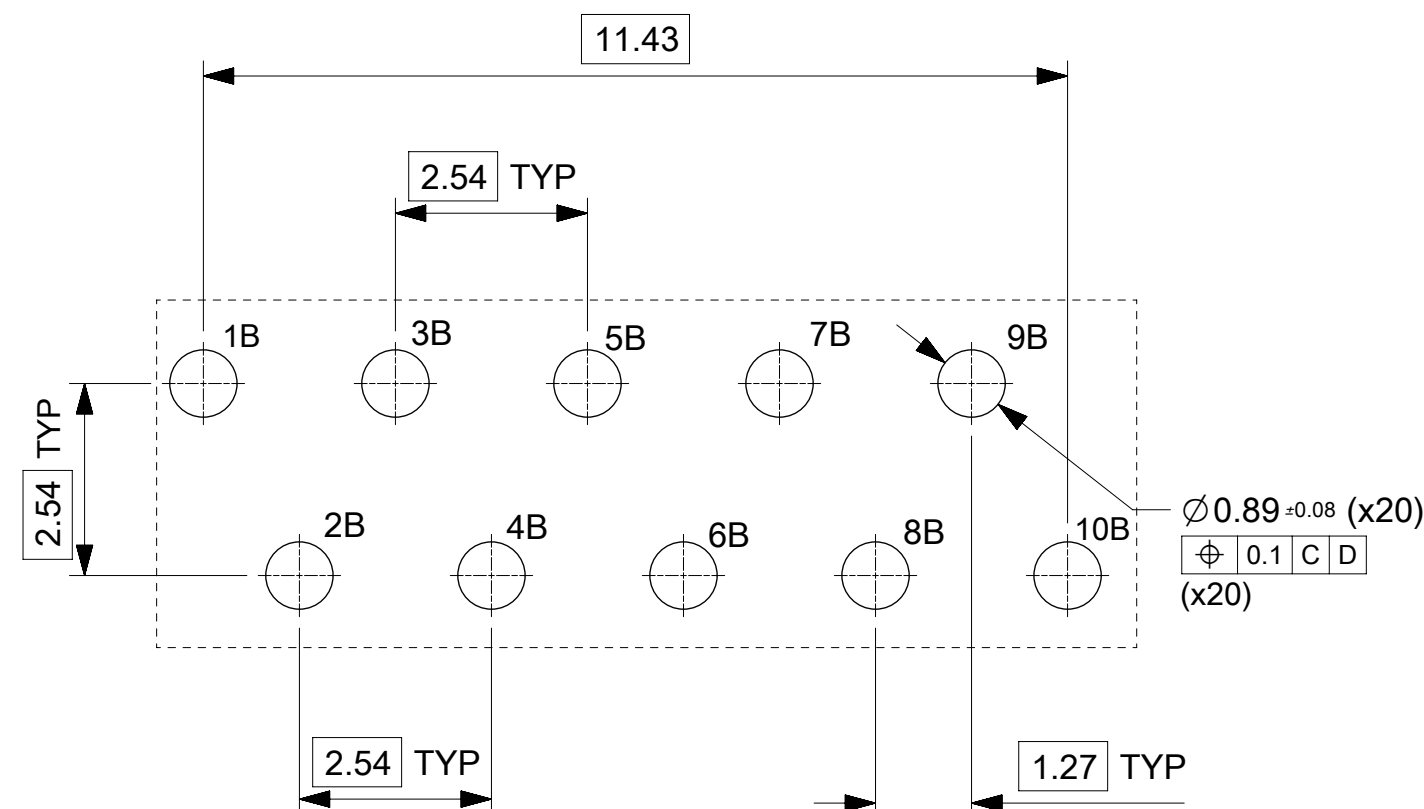
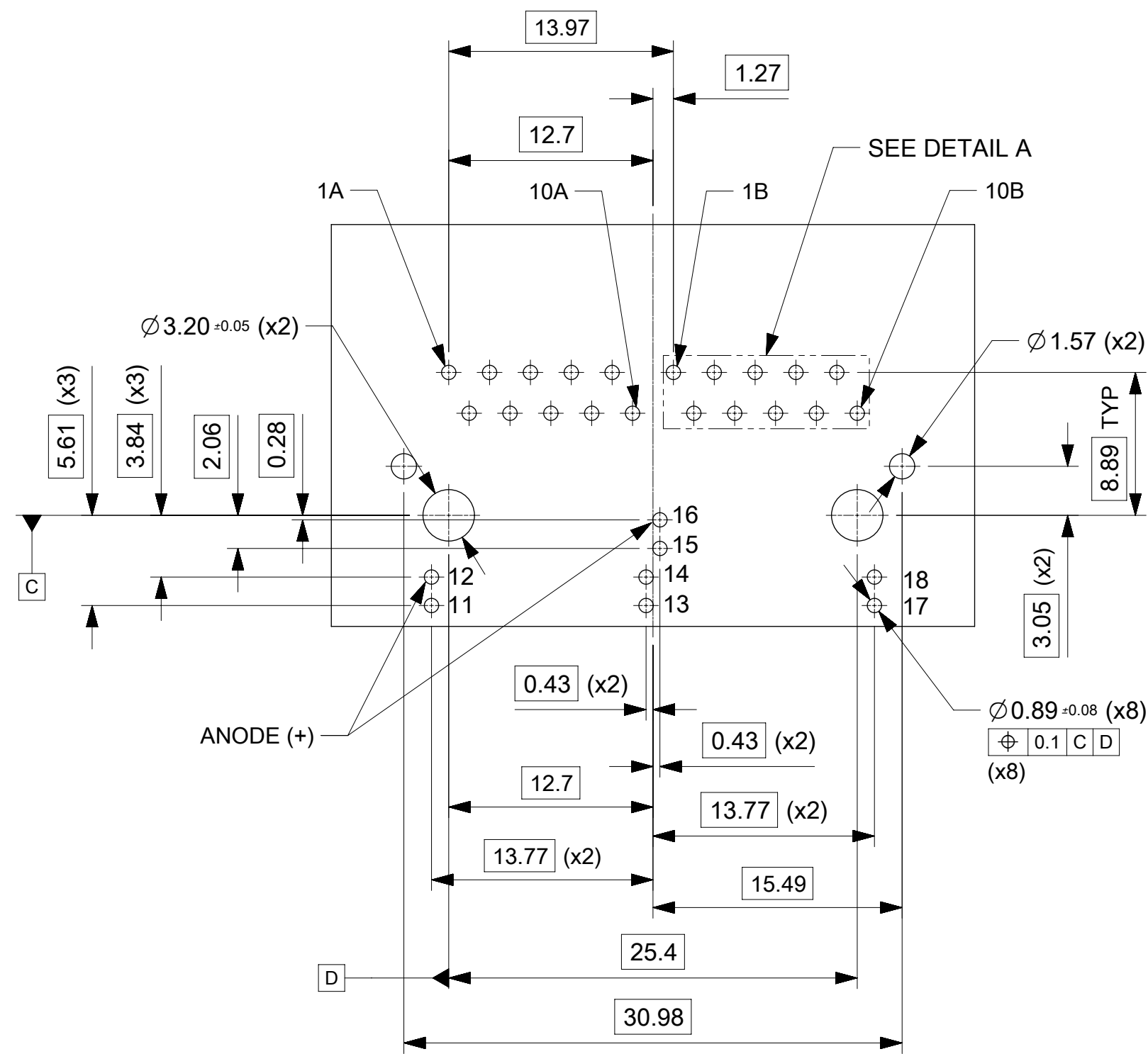
NOTES:

- SHIELD MATERIAL: 0.17 mm THICK BRASS PRE-PLATED WITH NICKEL
SOLDER TABS POST DIPPED WITH MIN. 1.27 μm TIN
- HOUSING MATERIAL: LCP, BLACK, UL 94V-0
- TERMINALS MATERIAL: PHOSPHOR BRONZE
RJ45 CONTACTS PLATING: BASE NICKEL PLATED WITH GOLD
FLASH OVER PALLADIUM NICKEL. REFER TO 934620001 PSP
PHY SOLDER TAILS: COPPER ALLOY
- MATING INTERFACE ACCORDING TO IEC 60603-7 & TIA-1096-A
- PRODUCT SPECIFICATION: 934620001 PSP
- PACKAGING SPECIFICATION: 938240001 PSK TRAY
- STAND OFF TO SYSTEM BOARD 0.30 mm MIN
- RECOMMENDED PCB THICKNESS: 1.6 mm
- SHIELD: AVOID ROUTING TRACES
OR PLACING ANY VIAS BELOW THESE AREAS.
- MATERIAL COMPLIANT TO RoHS DIRECTIVE 2002/95/EC
- INSCRIPTION MARKED BY LASER:
1st: MOLEX
2nd: PART NUMBER
- INSCRIPTION MARKED BY LASER:
DATE CODE (DAY/WEEK/YEAR)
- PHY PIN LENGTH
- SHIELD SOLDER TAB LENGTH

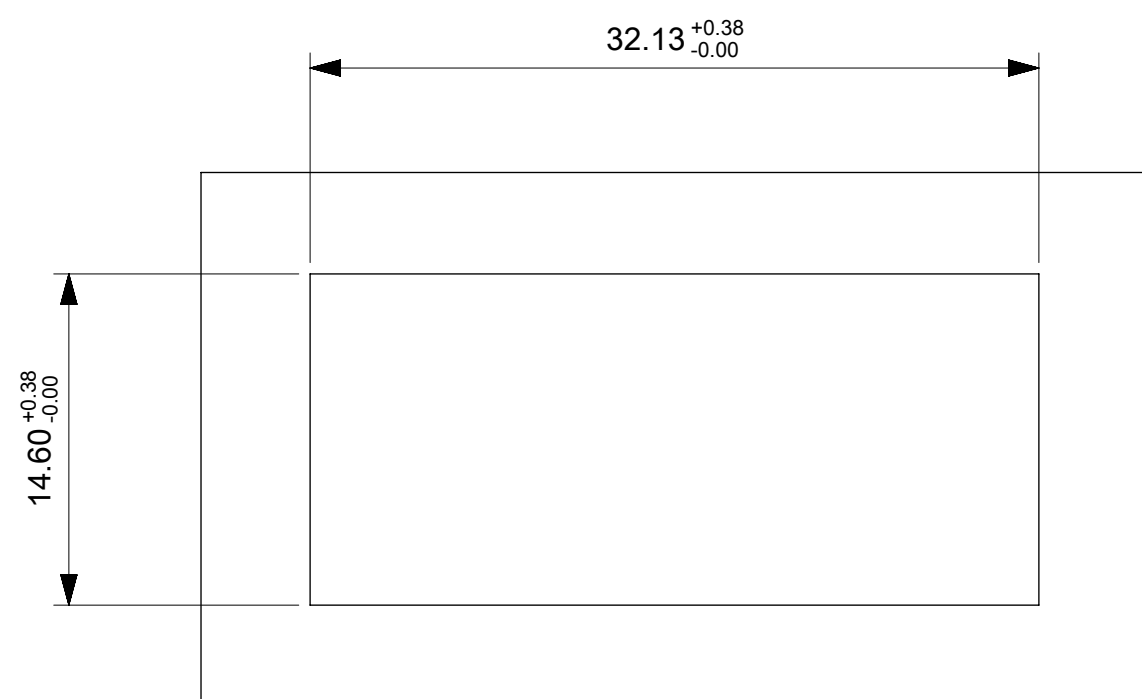


THIS DRAWING CONTAINS INFORMATION THAT IS PROPRIETARY TO MOLEX ELECTRONIC TECHNOLOGIES, LLC AND SHOULD NOT BE USED WITHOUT WRITTEN PERMISSION			
ORIGINAL RELEASE EC NO: 123046 DRWN: DSHEA CHKD: SMCGREEVY REV: APPR: DBYRNES	2017/10/17	GENERAL TOLERANCES (UNLESS SPECIFIED)	DIMENSION UNITS
	2017/10/23	ANGULAR TOL ± 2.0 °	mm
	2017/11/07	4 PLACES ±	SCALE
		3 PLACES ±	3:1
	2 PLACES ± 0.1	DRWN BY	DATE
	1 PLACE ± 0.2	DSHEA	2017/05/31
	0 PLACES ±	CHK'D BY	DATE
		SMCGREEVY	2017/10/23
		APPR BY	DATE
		DBYRNES	2017/11/07
		DRAFT WHERE APPLICABLE MUST REMAIN WITHIN DIMENSIONS	
		DRAWING SIZE	THIRD ANGLE PROJECTION
		A2	
A		molex®	
A		MXMAG DUAL PORT 8C GIG COMMERCIAL W/ LEDS	
PRODUCT CUSTOMER DRAWING			
SERIES	MATERIAL NUMBER	CUSTOMER	
93826	SEE CHART	GENERAL MARKET	
DOCUMENT NUMBER	DOC TYPE	DOC PART	SHEET NUMBER
938260003	PSD	000	1 OF 3

RECOMMENDED PCB LAYOUT
GIG VERSION W/ LED
COMPONENT SIDE
ALL DIMENSIONS REF DIMENSIONS



DETAIL A
SCALE 10:1



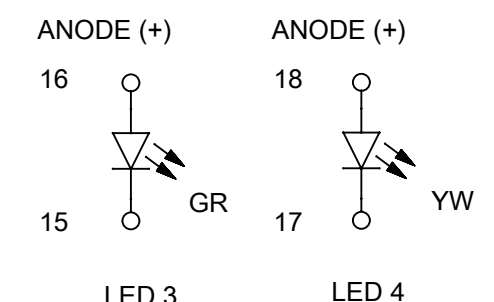
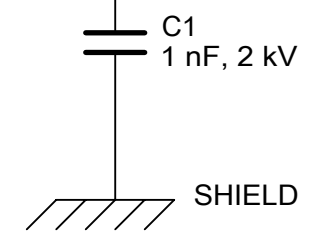
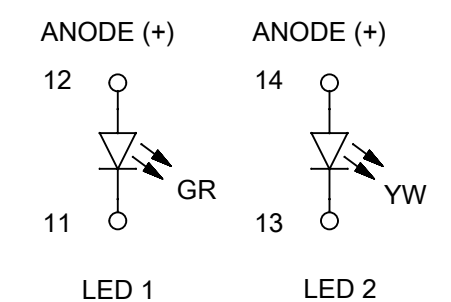
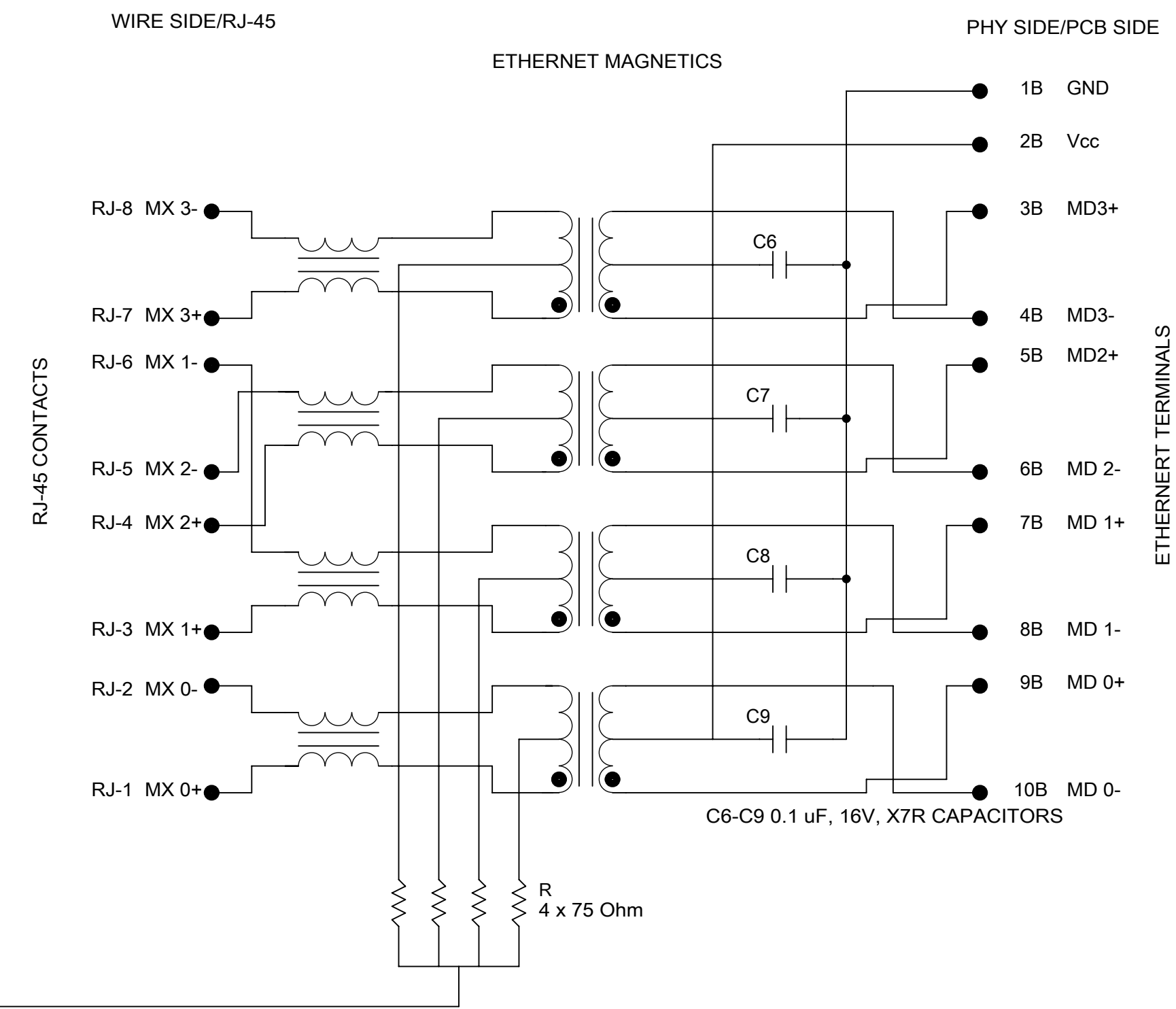
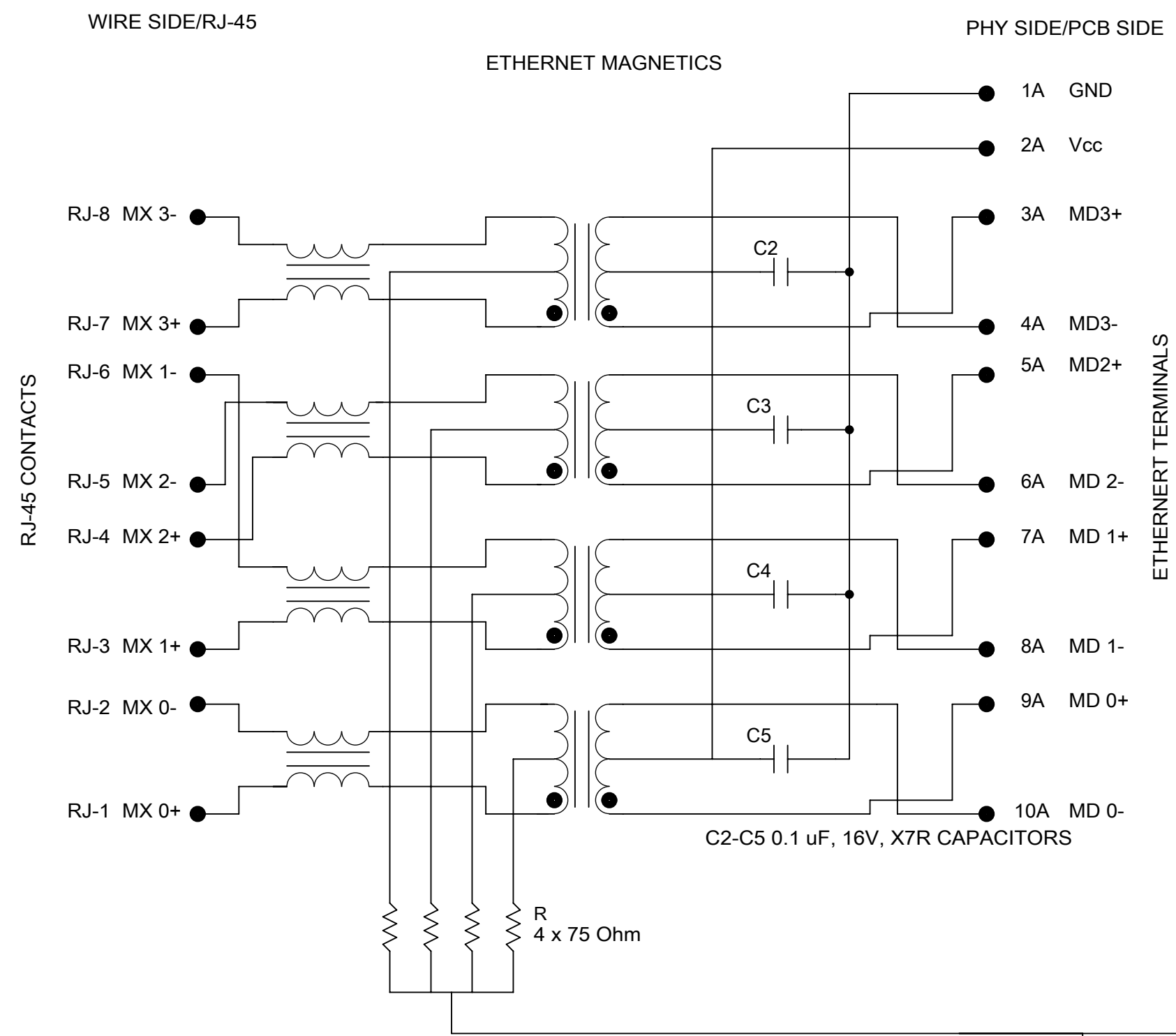
SUGGESTED PANEL CUTOUT

THIS DRAWING CONTAINS INFORMATION THAT IS PROPRIETARY TO MOLEX ELECTRONIC TECHNOLOGIES, LLC AND SHOULD NOT BE USED WITHOUT WRITTEN PERMISSION

ORIGINAL RELEASE EC NO: 123046 DRWN: DSHEA CHKD: SMCGREEVY REV: APPR: DBYRNES	2017/10/17	2017/10/23	2017/11/07	GENERAL TOLERANCES (UNLESS SPECIFIED)	DIMENSION UNITS	SCALE		
				ANGULAR TOL ± 2.0 °	mm	3:1		
	4 PLACES	±		DRWN BY	DATE	DSHEA		2017/05/31
	3 PLACES	±		CHK'D BY	DATE	SMCGREEVY		2017/10/23
	2 PLACES	±	0.1	APPR BY	DATE	DBYRNES		2017/11/07
1 PLACE	±	0.2					PRODUCT CUSTOMER DRAWING	
0 PLACES	±						SERIES	
				DRAFT WHERE APPLICABLE MUST REMAIN WITHIN DIMENSIONS	DRAWING SIZE	THIRD ANGLE PROJECTION	MATERIAL NUMBER	
A					A2		93826	
							SEE SHEET 1	
							CUSTOMER	
							GENERAL MARKET	
							DOCUMENT NUMBER	
							938260003	
							DOC TYPE	
							PSD	
							DOC PART	
							000	
							SHEET NUMBER	
							2 OF 3	

PORT A

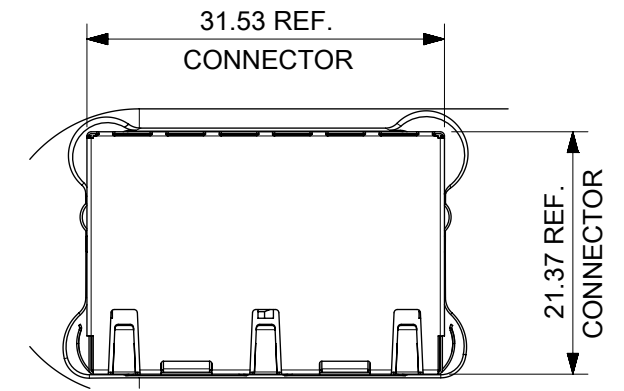
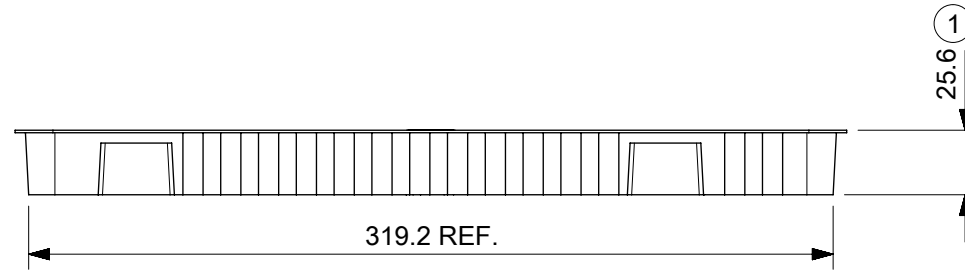
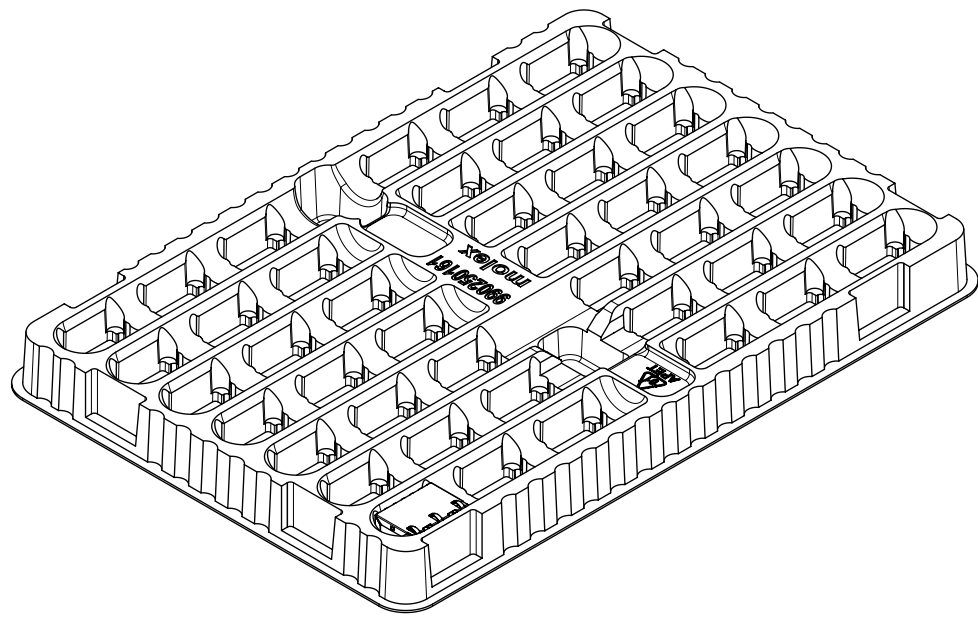
PORT B



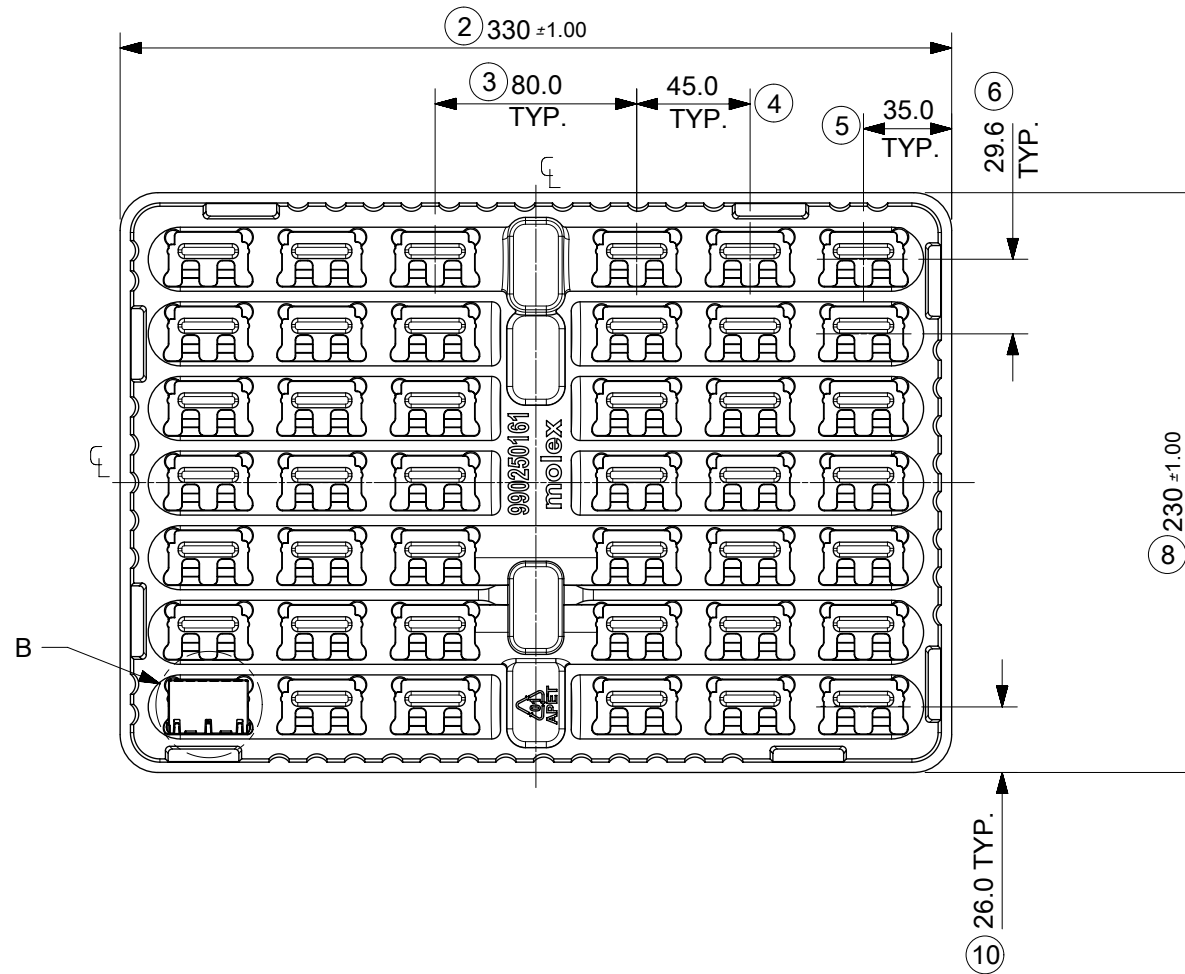
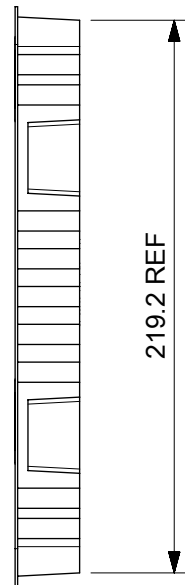
Description	Value	
OCL @100 kHz, 0.1 V, 8 mA DC bias (0°C to +70°C)	350 μH min.	
Turns ratio	1CT:1CT	
Transmission characteristics @ 25°C, all four pairs		
Insertion Loss		
Frequency f, (MHz)	Limits (dB max.)	Typical Values (dB max.)
1.0-9.9	0.4+0.1*log(f)	0.5 @ 10 MHz
10-49.9	0.5+0.3*log(f/10)	0.7 @ 50 MHz
50-79.9	1+1.4*log(f/80)	1.0 @ 80 MHz
80-100	1.3+3*log(f/100)	1.3 @ 100 MHz
Return Loss		
Frequency f, (MHz)	Limits (dB min.)	Typical Values (dB min.)
1.0-39.9	18	18 @ 40 MHz
40-100	12-20*log(f/80)	10 @ 100 MHz
CMR		
Frequency f, (MHz)	Limits (dB min.)	Typical Values (dB min.)
1.0-100	30	30 @ 100 MHz
NEXT		
Frequency f, (MHz)	Limits (dB min.)	Typical Values (dB min.)
1.0-39.9	35	35 @ 40 MHz
40-100	33-20*log(f/50)	27 @ 100 MHz
Isolation PHY to wire side	2.25 kV DC/60sec	

THIS DRAWING CONTAINS INFORMATION THAT IS PROPRIETARY TO MOLEX ELECTRONIC TECHNOLOGIES, LLC AND SHOULD NOT BE USED WITHOUT WRITTEN PERMISSION

ORIGINAL RELEASE EC NO: 123046 DRWN: DSHEA CHKD: SMCGREEVY APPR: DBYRNES	2017/10/17	2017/10/23	2017/11/07	GENERAL TOLERANCES (UNLESS SPECIFIED)	DIMENSION UNITS	SCALE			
	4 PLACES	±	ANGULAR TOL ± 2.0 °		mm	1:1			
	3 PLACES	±	DRWN BY DSHEA DATE 2017/05/31		CHK'D BY SMCGREEVY DATE 2017/10/23				
	2 PLACES	± 0.1	APPR BY DBYRNES DATE 2017/11/07		DRAWING SIZE THIRD ANGLE PROJECTION				
1 PLACE	± 0.2	DRAFT WHERE APPLICABLE MUST REMAIN WITHIN DIMENSIONS		A2			SERIES 93826 MATERIAL NUMBER SEE SHEET 1 CUSTOMER GENERAL MARKET		
0 PLACES	±					DOCUMENT NUMBER 938260003	DOC TYPE PSD	DOC PART 000	SHEET NUMBER 3 OF 3



DETAIL B
SCALE 3:2



NOTES:

1. MATERIAL: PETA ANTISTATIC
2. THICKNESS: 0.9 mm REF
3. COLOUR: CLEAR
4. BOW 2 mm MAXIMUM PER 330 mm
5. TWIST 2 mm MAXIMUM PER 330 mm
6. TRAY PART NO. AND RECYCLE LOGO TO BE CLEARLY MARKED ON TRAY
RECYCLE LOGO SHOULD BE APPROPRIATE TO MATERIAL USED
7. WHERE RELEVANT, DIMENSIONS SHOULD BE SYMMETRICAL ABOUT THE CENTRELINE
8. GENERAL PROFILE TOLERANCE $\frac{\text{R}}{0.40}$ ON NON DIMENSIONED FEATURES
9. PACKAGING SPECIFICATION: 938240001 PSK

DIMENSION NUMBERS DELETED: 7, 9, 11, 12
LAST INSPECTION NUMBER USED: 10

THIS DRAWING CONTAINS INFORMATION THAT IS PROPRIETARY TO MOLEX ELECTRONIC TECHNOLOGIES, LLC AND SHOULD NOT BE USED WITHOUT WRITTEN PERMISSION

ORIGINAL RELEASE EC NO: 123046 DRWN: DSHEA CHK'D: SMCGREEVY APPR: DBYRNES	2017/10/17	2017/10/23	GENERAL TOLERANCES (UNLESS SPECIFIED) ANGULAR TOL ± 1.0 ° 4 PLACES ± 3 PLACES ± 2 PLACES ± 0.2 1 PLACE ± 0.5 0 PLACES ± DRAFT WHERE APPLICABLE MUST REMAIN WITHIN DIMENSIONS	DIMENSION UNITS	SCALE															
	2017/10/17	2017/11/07		mm	1:3															
	DRWN BY	DATE		SMCGREEVY	2017/06/15															
	CHK'D BY	DATE		SMCGREEVY	2017/10/23															
APPR BY	DATE	DBYRNES	2017/11/07	PRODUCT CUSTOMER DRAWING		<table border="1"> <tr> <td>SERIES</td> <td>MATERIAL NUMBER</td> <td>CUSTOMER</td> </tr> <tr> <td>99025</td> <td>990250150</td> <td>GENERAL MARKET</td> </tr> <tr> <td>DOCUMENT NUMBER</td> <td>DOC TYPE</td> <td>DOC PART</td> <td>SHEET NUMBER</td> </tr> <tr> <td>990250161</td> <td>PSD</td> <td>000</td> <td>1 OF 1</td> </tr> </table>	SERIES	MATERIAL NUMBER	CUSTOMER	99025	990250150	GENERAL MARKET	DOCUMENT NUMBER	DOC TYPE	DOC PART	SHEET NUMBER	990250161	PSD	000	1 OF 1
SERIES	MATERIAL NUMBER	CUSTOMER																		
99025	990250150	GENERAL MARKET																		
DOCUMENT NUMBER	DOC TYPE	DOC PART	SHEET NUMBER																	
990250161	PSD	000	1 OF 1																	
DRAWING SIZE	THIRD ANGLE PROJECTION	A3																		
REV																				

RELEASE STATUS	P1	RELEASE DATE	07.11.2017	10:13:22
----------------	----	--------------	------------	----------