



Chipsmall Limited consists of a professional team with an average of over 10 year of expertise in the distribution of electronic components. Based in Hongkong, we have already established firm and mutual-benefit business relationships with customers from,Europe,America and south Asia,supplying obsolete and hard-to-find components to meet their specific needs.

With the principle of “Quality Parts,Customers Priority,Honest Operation,and Considerate Service”,our business mainly focus on the distribution of electronic components. Line cards we deal with include Microchip,ALPS,ROHM,Xilinx,Pulse,ON,Everlight and Freescale. Main products comprise IC,Modules,Potentiometer,IC Socket,Relay,Connector.Our parts cover such applications as commercial,industrial, and automotives areas.

We are looking forward to setting up business relationship with you and hope to provide you with the best service and solution. Let us make a better world for our industry!



Contact us

Tel: +86-755-8981 8866 Fax: +86-755-8427 6832

Email & Skype: info@chipsmall.com Web: www.chipsmall.com

Address: A1208, Overseas Decoration Building, #122 Zhenhua RD., Futian, Shenzhen, China



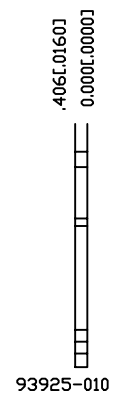
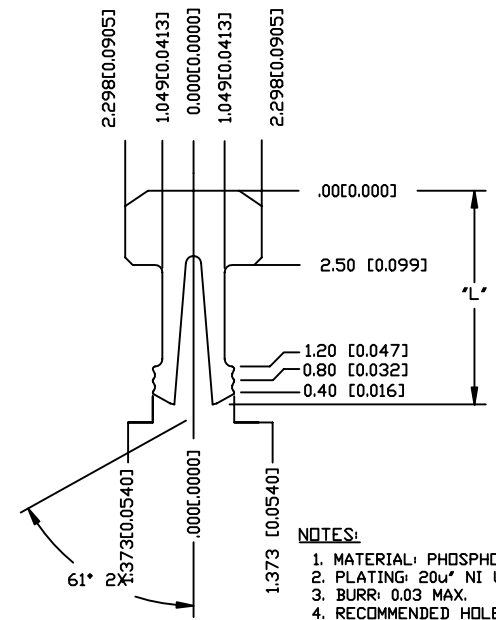
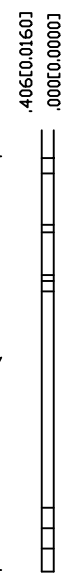
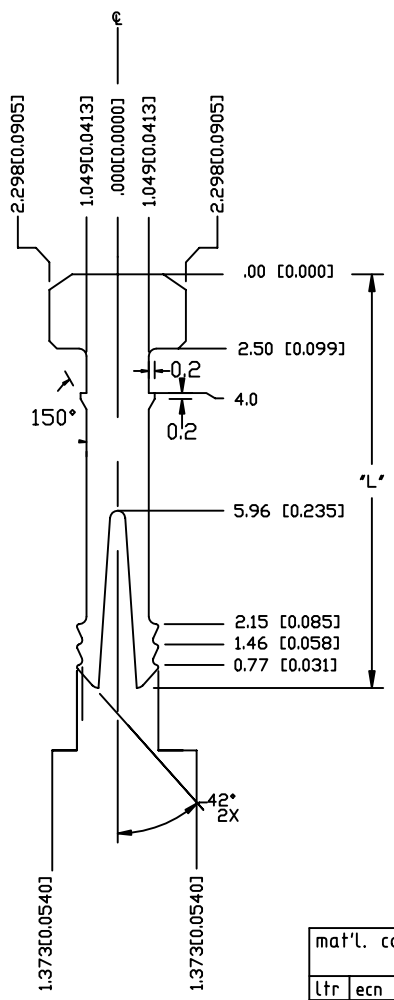
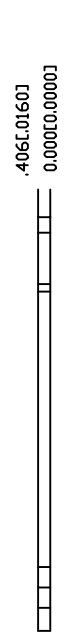
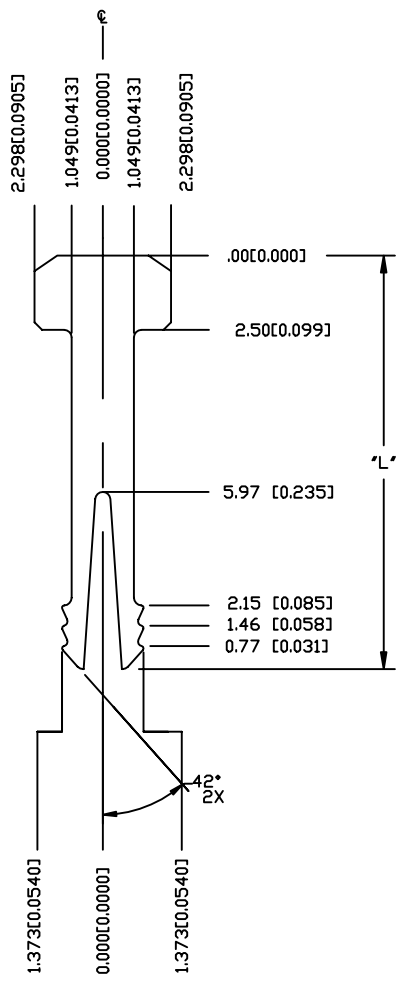
FCI CONFIDENTIAL



This document is the property of and embodies CONFIDENTIAL and PROPRIETARY information of FCI. No part of the information shown on this document may be used in any way or disclosed to others without the written consent of FCI. Copyright FCI.

PRODUCT NUMBER
SEE TABLE

PRODUCT NUMBER	APPLICATION	FOR USE WITH STANDOFF HEIGHT	DIM "L"
93925-001/001LF	SINGLE DECK	ZERO	8.16
93925-002/002LF	SINGLE DECK	2.00 & 2.20	10.36
93925-003/003LF	SINGLE DECK	4.00 & 4.30	12.46
93925-004/004LF	SINGLE DECK	5.00	13.16
93925-005/005LF	DOUBLE DECK	ZERO	13.96
93925-006/006LF	DOUBLE DECK	2.00 & 2.20	16.16
93925-007/007LF	DOUBLE DECK	4.00 & 4.30	18.26
93925-008/008LF	DOUBLE DECK	5.00	18.96
93925-009/009LF	SINGLE DECK	3.00	11.16
93925-010/010LF	SINGLE DECK	SPECIAL	7.20
93925-011/011LF	SINGLE DECK	5.00	13.16



- NOTES:
1. MATERIAL: PHOSPHOR BRONZE, C519R-H.
 2. PLATING: 20u" NI UNDER 100u" Min. Tin.
 3. BURR: 0.03 MAX.
 4. RECOMMENDED HOLE SIZE: ø2.3mm PLATED THRU.
 5. P/N'S WITH SUFFIX 'LF' ARE LEAD FREE P/N'S
 6. PACKING STANDARD GS-14-920 WILL BE APPLIED FOR LEAD FREE P/N'S
 7. FOR LEAD FREE P/N, THE PRODUCT MEET EUROPEAN UNION DIRECTIVES AND OTHER COUNTRY REGULATION AS DESCRIBED IN GS-22-008

ONLY FOR 93925-011/011LF

mat'l. code		surface ISO 1302		tolerance ISO 406 ISO 1101		projection		product family	
ltr		ecn no		dr		date		tolerances unless otherwise specified	
F		V03-0518		WL		05/29/03		title	
G		T03-0547		WL		12/11/03		PCMCIA HOLDOWN	
H		N05-0012		PH		01/19/05		angles linear	
J		N07-0245		MZ		10/30/07		scale	
				dr		M.CLOUSER 11/15/93		dwg no	
				enr		D.BRANN 11/15/93		sheet 1 of 1	
				chr		D.BRANN 11/15/93		size	
				appd		D.BRANN 11/15/93		A4	
sheet		revision		J				type	
index		sheet		1				CUSTOMER Drawing	