



Chipsmall Limited consists of a professional team with an average of over 10 year of expertise in the distribution of electronic components. Based in Hongkong, we have already established firm and mutual-benefit business relationships with customers from,Europe,America and south Asia,supplying obsolete and hard-to-find components to meet their specific needs.

With the principle of “Quality Parts,Customers Priority,Honest Operation,and Considerate Service”,our business mainly focus on the distribution of electronic components. Line cards we deal with include Microchip,ALPS,ROHM,Xilinx,Pulse,ON,Everlight and Freescale. Main products comprise IC,Modules,Potentiometer,IC Socket,Relay,Connector.Our parts cover such applications as commercial,industrial, and automotives areas.

We are looking forward to setting up business relationship with you and hope to provide you with the best service and solution. Let us make a better world for our industry!



Contact us

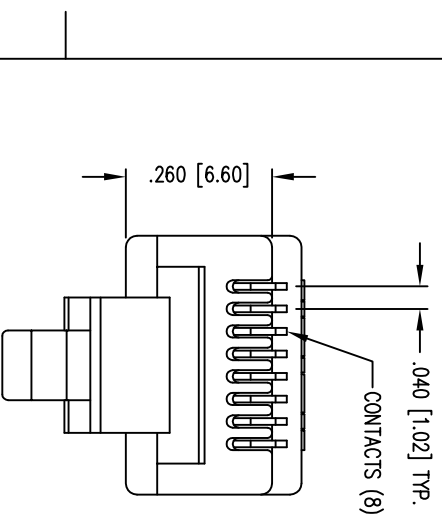
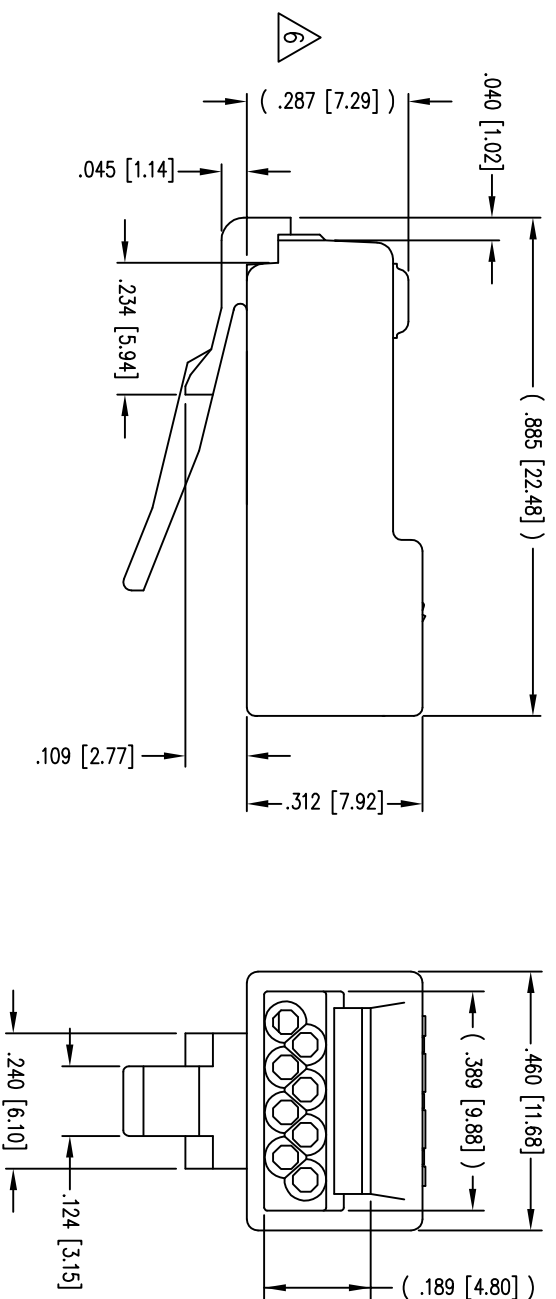
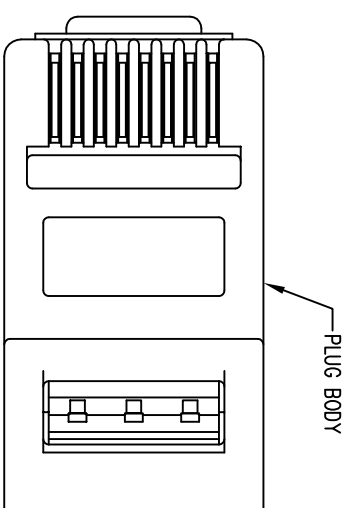
Tel: +86-755-8981 8866 Fax: +86-755-8427 6832

Email & Skype: info@chipsmall.com Web: www.chipsmall.com

Address: A1208, Overseas Decoration Building, #122 Zhenhua RD., Futian, Shenzhen, China



| DATE | REV | EON | APP'D. BY |
|----------|-----|------|-----------|
| 9-19-02 | A0 | 5562 | JAF |
| 12-29-03 | A1 | 6299 | TRM |
| 1-19-06 | A2 | 7441 | JM |
| 5-23-12 | A3 | 9477 | SMN |



NOTES:

- 1- PLUG KIT CONSISTS OF :
PRE-INSERTED PLUG BODY
MANAGEMENT BAR

2- MATERIALS :

FRONT HOUSING PLASTIC : CLEAR POLYCARBONATE, UL 94-V0
MANAGEMENT BAR : CLEAR POLYCARBONATE, UL 94-V0
CONTACTS : PHOSPHOR BRONZE, SELECTIVE GOLD PLATING

- 3- CONTACTS TERMINATE SOLID OR STRANDED CONDUCTORS BETWEEN .037 [0.94] TO .042 [1.07] OUTSIDE DIAMETER OF INSULATION.

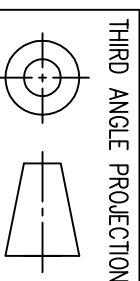
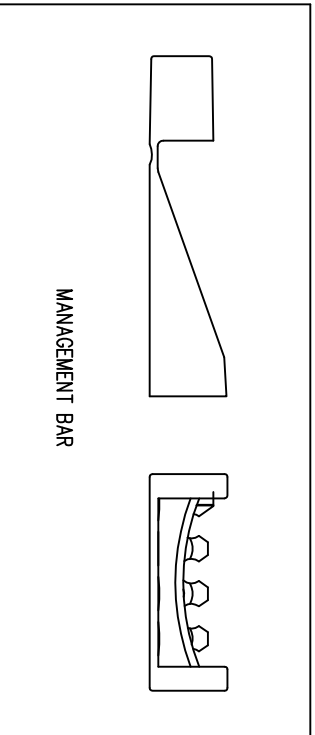
- 4- PLUG SPECIFICATION: FOR CATEGORY SE APPLICATIONS.

- 5- TOLERANCES COMPLY WITH F.C.C. DIMENSION REQUIREMENTS.

- △ TERMINATED PLUG HEIGHT: .237 [6.02] ±.005 [0.13]

- 7- FOR PRODUCT SPECIFICATION SEE PRO26-01

| | | |
|---------|-----------------------------------|----------------------|
| BULK | 50 MICRO-INCHES [1.27um] | 943-SP-370808M2-A285 |
| PACKAGE | CONTACT PLATING IN MATING AREA | PART NUMBER |



DO NOT SCALE DRAWING
DRAWING IS SUBJECT TO
CHANGE WITHOUT NOTICE

DIMENSIONS: INCHES [METRIC]
UNLESS OTHERWISE SPECIFIED
TOLERANCES ARE ±.005 [0.13]
ANGLES ARE ± 1°

SHEET NO. 1 OF 1

Bel Stewart Connector
11118 Susquehanna Trail South
Glen Rock, PA 17327-9199
(717) 235-7512 Fax: (717) 235-7954
<http://www.stewartconnector.com>

TITLE: HIGH PERFORMANCE 8X8 PLUG

THIS DRAWING AND THE SUBJECT MATTER SHOWN THEREON ARE
CONFIDENTIAL, AND THE PROPRIETARY PROPERTY OF BEL STEWART CONNECTOR
AND SHALL NOT BE REPRODUCED, COPIED, OR USED IN ANY MANNER WITHOUT
PRIOR WRITTEN CONSENT OF BEL STEWART CONNECTOR. THIS PRODUCT
MAY BE PROTECTED BY ONE OR MORE OF THE FOLLOWING US PATENTS:
5628647 6402559 6409533 6524728
7753717 8033663
OTHER PATENTS MAY BE PENDING.

| | | | |
|----------|----------|------|---------|
| DRN BY: | R. S. | DATE | 5-28-96 |
| APPD BY: | R. J. | DATE | 5-29-96 |
| DWG NO. | CT370010 | REV. | A3 |

