



Chipsmall Limited consists of a professional team with an average of over 10 year of expertise in the distribution of electronic components. Based in Hongkong, we have already established firm and mutual-benefit business relationships with customers from,Europe,America and south Asia,supplying obsolete and hard-to-find components to meet their specific needs.

With the principle of “Quality Parts,Customers Priority,Honest Operation,and Considerate Service”,our business mainly focus on the distribution of electronic components. Line cards we deal with include Microchip,ALPS,ROHM,Xilinx,Pulse,ON,Everlight and Freescale. Main products comprise IC,Modules,Potentiometer,IC Socket,Relay,Connector.Our parts cover such applications as commercial,industrial, and automotives areas.

We are looking forward to setting up business relationship with you and hope to provide you with the best service and solution. Let us make a better world for our industry!



## Contact us

Tel: +86-755-8981 8866 Fax: +86-755-8427 6832

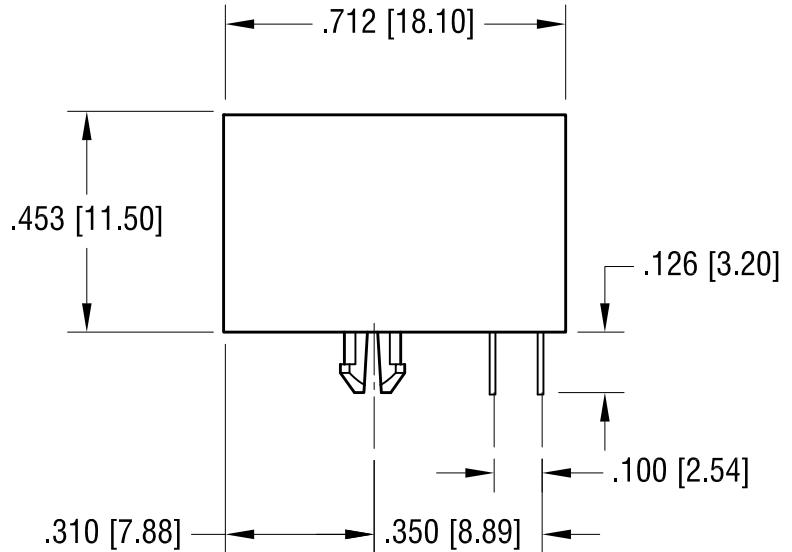
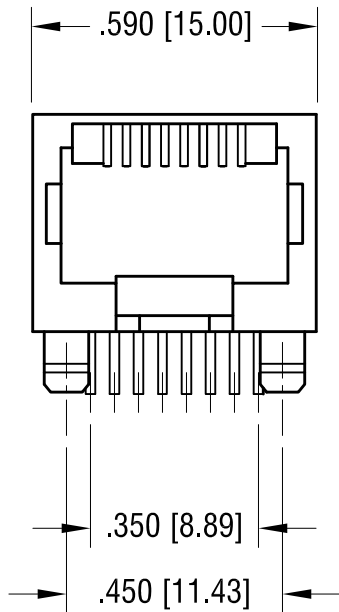
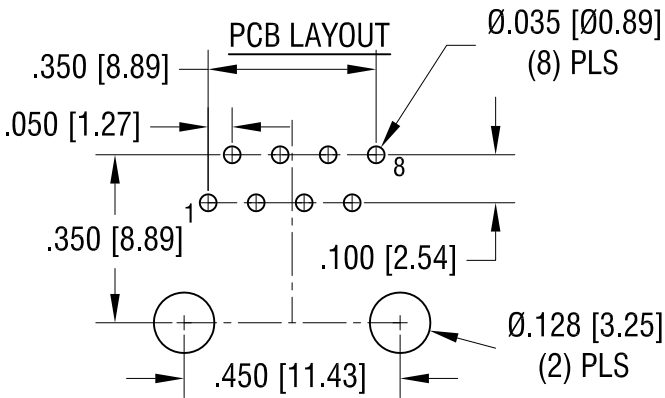
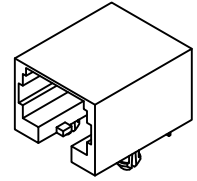
Email & Skype: info@chipsmall.com Web: www.chipsmall.com

Address: A1208, Overseas Decoration Building, #122 Zhenhua RD., Futian, Shenzhen, China



THIS DOCUMENT IS THE PROPERTY OF KEYSTONE ELECTRONICS CORP. AND SHALL NOT BE REPRODUCED, DISTRIBUTED OR USED AS A BASIS FOR MANUFACTURE WITHOUT PRIOR WRITTEN PERMISSION FROM KEYSTONE ELECTRONICS CORP.

ACTUAL SIZE



NOTE:

1. PLASTIC HOUSING:  
MAT'L- ENGINEERING THERMOPLASTIC  
RATED UL 94V-0, COLOR- BLACK
2. CONTACT: MAT'L PHOSPHOR BRONZE  
FINISH- GOLD PLATE, OVER NICKEL ON CONTACT  
TIN, OVER COPPER ON SOLDER TAILS
3. DIELECTRIC WITHSTANDING VOLTAGE:  
1000 VAC FOR 1 MIN.
4. STORAGE TEMPERATURE:  
-40°F (-40°C) TO +176°F (+85°C)  
OPERATION TEMPERATURE:  
-4°F (-20°C) TO 167°F (+75°C)

5. VOLTAGE RATING: 125 VAC Rms.  
CURRENT RATING- 1.5 Amps  
CONTACT RESISTANCE- 40 mΩ MAX.  
INSULATION RESISTANCE- 1000 MΩ MIN. @500 VDC  
DIELECTRIC STRENGTH: 1000 VAC Rms 60Hz. 1Min.

<b>KEYSTONE ELECTRONICS CORP.</b>			
www.keyelco.com • ASTORIA, N.Y. 11105-2017 • Tel (718) 956-8900			
PART NAME		MODULAR KEYSTONE JACK, 8P8C	
MATERIAL		AS NOTED	
FINISH	DRN BY	DATE	
AS NOTED	NT	4.08.15	
	APP'D	SCALE	
	LN	2.5X	
TOLERANCES	INCH	[MM]	CODE
DECIMAL	± .010	[± 0.25]	C
ANGULAR	± 1°		
UNLESS OTHERWISE SPECIFIED			DWG NO.
			<b>943</b>

DATE	DESCRIPTION	REV.