



Chipsmall Limited consists of a professional team with an average of over 10 year of expertise in the distribution of electronic components. Based in Hongkong, we have already established firm and mutual-benefit business relationships with customers from,Europe,America and south Asia,supplying obsolete and hard-to-find components to meet their specific needs.

With the principle of “Quality Parts,Customers Priority,Honest Operation,and Considerate Service”,our business mainly focus on the distribution of electronic components. Line cards we deal with include Microchip,ALPS,ROHM,Xilinx,Pulse,ON,Everlight and Freescale. Main products comprise IC,Modules,Potentiometer,IC Socket,Relay,Connector.Our parts cover such applications as commercial,industrial, and automotives areas.

We are looking forward to setting up business relationship with you and hope to provide you with the best service and solution. Let us make a better world for our industry!



Contact us

Tel: +86-755-8981 8866 Fax: +86-755-8427 6832

Email & Skype: info@chipsmall.com Web: www.chipsmall.com

Address: A1208, Overseas Decoration Building, #122 Zhenhua RD., Futian, Shenzhen, China

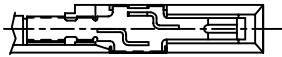


Tous droits strictement réservés. Reproduction ou communication, a des tiers int sous quelque forme que ce soit sans autorisation écrite du propriétaire. Property of c BERG ELECTRONICS. Droits de reproduction BERG ELECTRONICS by

All rights strictly reserved. Reproduction or issue to third parties in any for what ever form without written authority from the proprietor. Copyright BERG ELECTRONICS by

PRODUCT NO.	DIM.L
94307-00**	0.0
94307-02**	2.0
94307-05**	5.0

** : SEE TABLE I



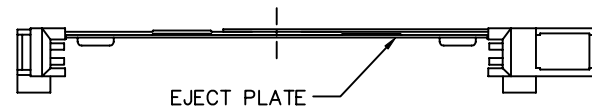
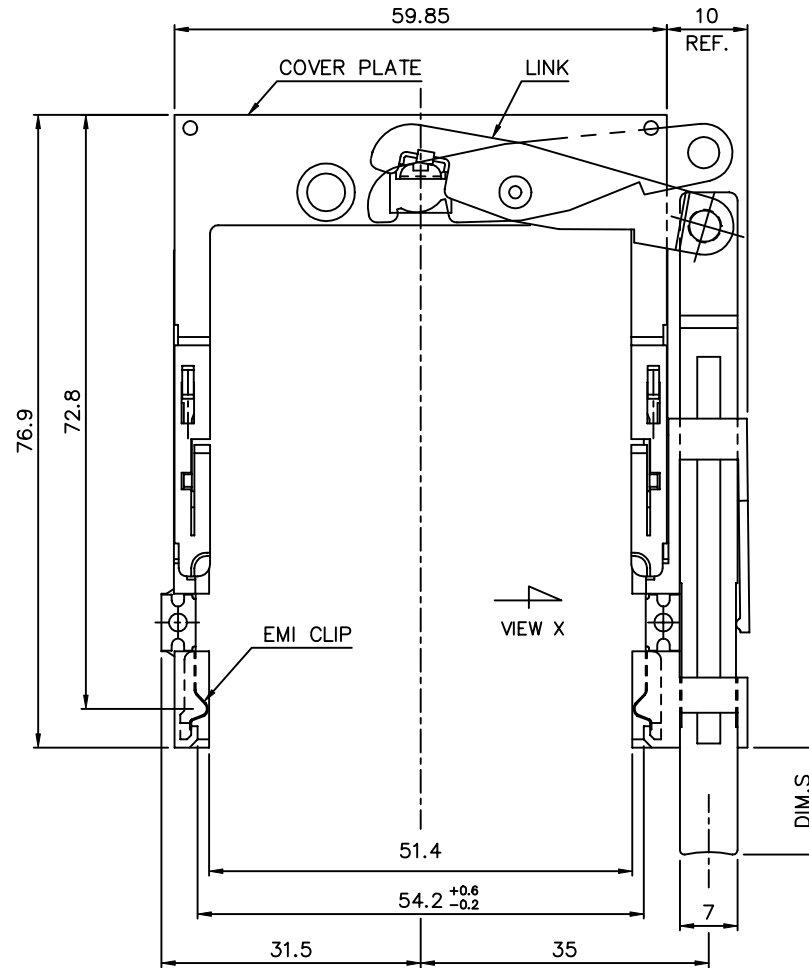
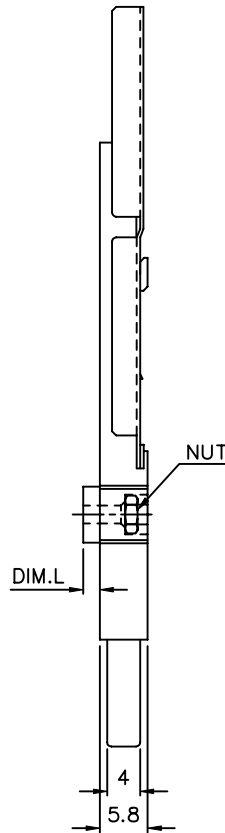
VIEW X

NOTES:

- EJECT PLATE MOVE ALONG INSIDE WALL OF COVER PLATE SMOOTHLY AFTER ASSEMBLING WITH HDR ASS'Y.

**	DIM"S"	PUSH ROD COLOR
CA	13.0	BLACK
CH	13.0	NATURAL
DA	15.2	BLACK
DH	15.2	NATURAL
EA	18.5	BLACK
EH	18.5	NATURAL
FA	21.0	BLACK
FH	21.0	NATURAL

TABLE I



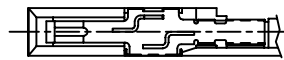
mat'l code		tolerance unless otherwise specified		CUSTOMER COPY	FCI ELECTRONICS			
rev.	ecn no.	dr	date	linear	±0.20	projection	title	
A	T40102	C L	04/14/94					
B	T60075	W L	04/18/96	angles	± 2°	product family	PCMCIA	
C	T10375	W L	12/24/01					
		dr	C L FENG	04/14/94	unit	mm/inch	size	dwg no.
		enr	JOSEPH HSIA	04/14/94	scale	1.5:1	A3	94307
		chr	JOSEPH HSIA	04/14/94				sheet
		appd	D K WANG	04/14/94				1 OF 4
sheet	revision	C	C	C				
index	sheet	1	2	3	4			

Tous droits strictement réservés. Reproduction ou communication à des tiers int
 sous quelque forme que ce soit sans autorisation écrite du propriétaire.
 Property of c BERG ELECTRONICS.
 Droits de reproduction BERG ELECTRONICS by

All rights strictly reserved. Reproduction or issue to third parties in any for
 without the written authority from the proprietor.
 Property of c BERG ELECTRONICS.
 Copyright BERG ELECTRONICS by

PRODUCT NO	DIM.L
94307-10**	0.0
94307-12**	2.0
94307-15**	5.0

** : SEE TABLE I



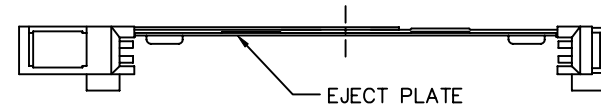
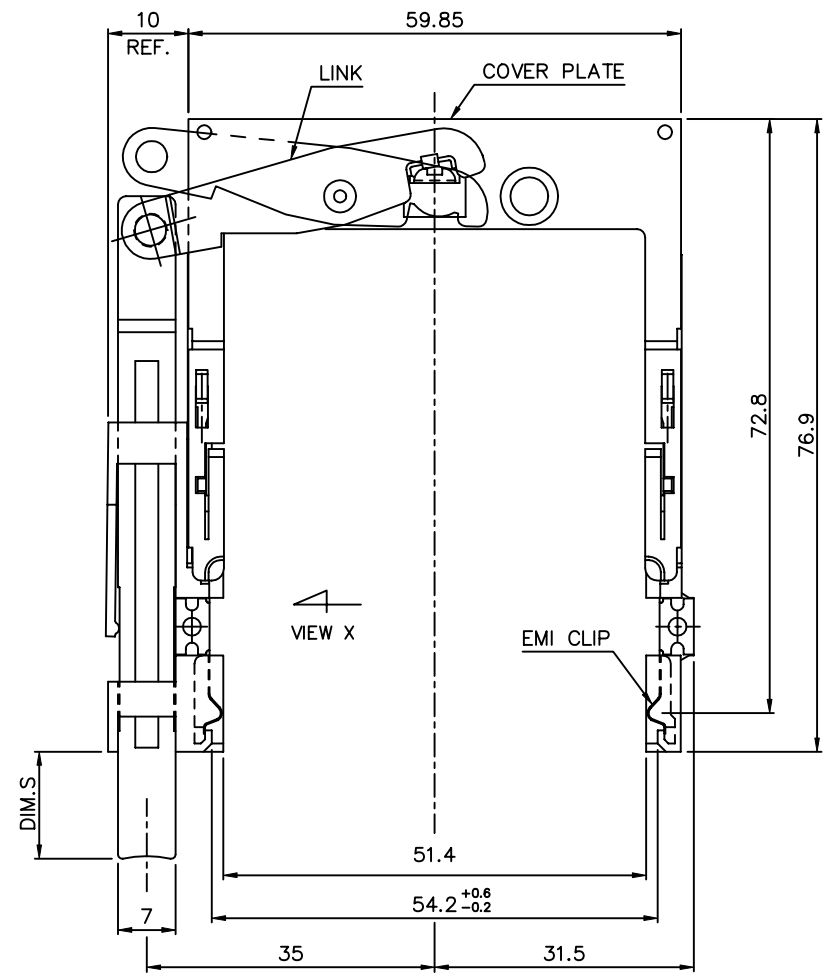
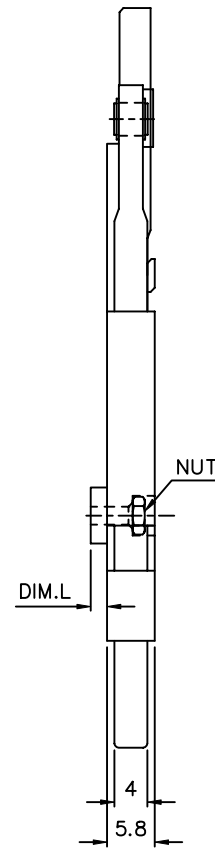
VIEW X

NOTES:

- EJECT PLATE MOVE AONG INSIDE WALL OF COVER PLATE SMOOTHLY AFTER ASSEMBLING WITH HDR ASS'Y.

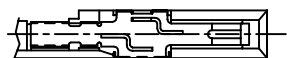
**	DIM"S"	PUSH ROD COLOR
CA	13.0	BLACK
CH	13.0	NATURAL
DA	15.2	BLACK
DH	15.2	NATURAL
EA	18.5	BLACK
EH	18.5	NATURAL
FA	21.0	BLACK
FH	21.0	NATURAL

TABLE I



mat'l code		tolerance unless otherwise specified		CUSTOMER COPY	FCI ELECTRONICS	
rev.	ecn no.	dr	date	linear	±0.20	projection
C				angles	± 2°	title
				dr	C L FENG 04/14/94	unit
				enr	JOSEPH HSIA 04/14/94	mm/inch
				chr	JOSEPH HSIA 04/14/94	scale
				appd	D K WANG 04/14/94	1.5:1
sheet	revision			product family	PCMCIA	code
index	sheet			size	dwg no.	94307
				scale	1.5:1	sheet 2 OF

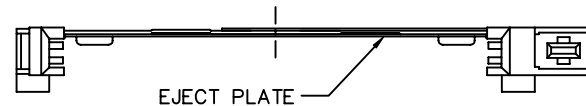
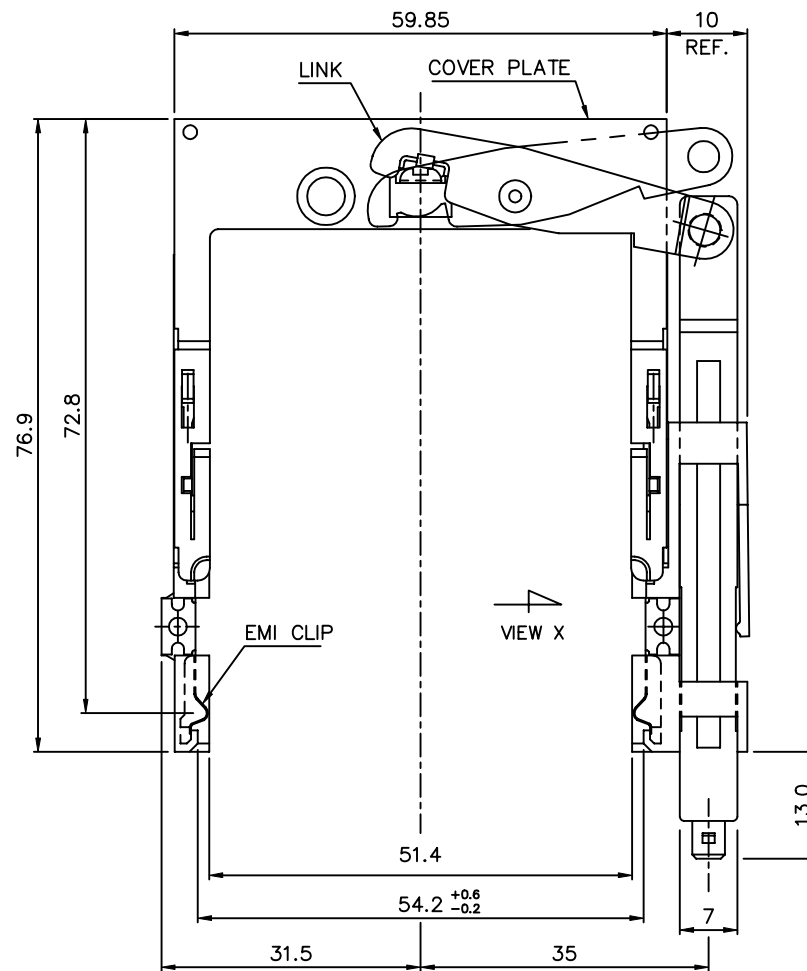
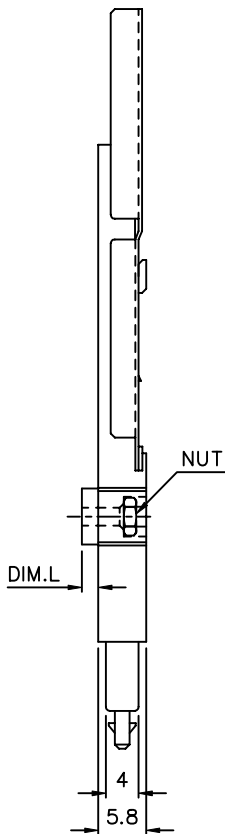
PRODUCT NO.	DIM.L
94307-00GA	0.0
94307-02GA	2.0
94307-05GA	5.0



VIEW X

NOTES:

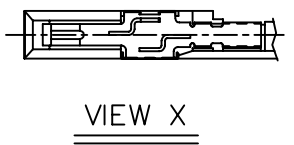
- EJECT PLATE MOVE ALONG INSIDE WALL OF COVER PLATE SMOOTHLY AFTER ASSEMBLING WITH HDR ASS'Y.



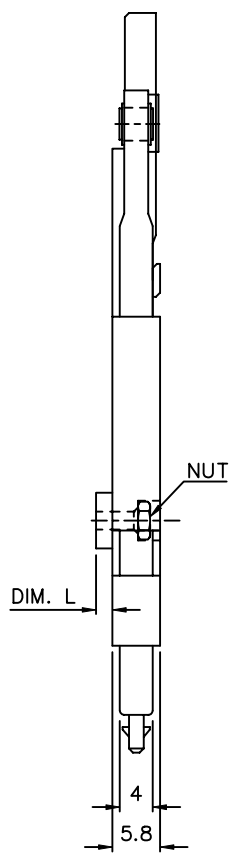
mat'l code		tolerance unless otherwise specified		CUSTOMER COPY	FCI ELECTRONICS	
rev.	ecn no.	dr	date	linear	±0.20	projection
C				angles	± 2°	title
		dr	WENDY CHEN 08/02/95	unit	mm/inch	68P EJECTOR HEADER TYPE
		enr	JOSEPH HSIA 08/02/95	scale	1.5:1	1/2/3 MECHANISM ASS'Y
		chr	JOSEPH HSIA 08/02/95	product family	PCMCIA	code
		appd	JENN TSAO 08/02/95	size	dwg no.	94307
sheet	revision					sheet 3 OF
index	sheet					

All rights strictly reserved. Reproduction or issue to third parties in any form without the written authority from the proprietor. Property of c BERG ELECTRONICS. Copyright BERG ELECTRONICS by

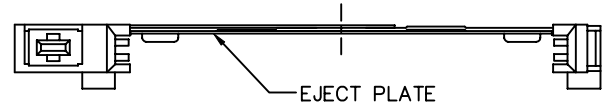
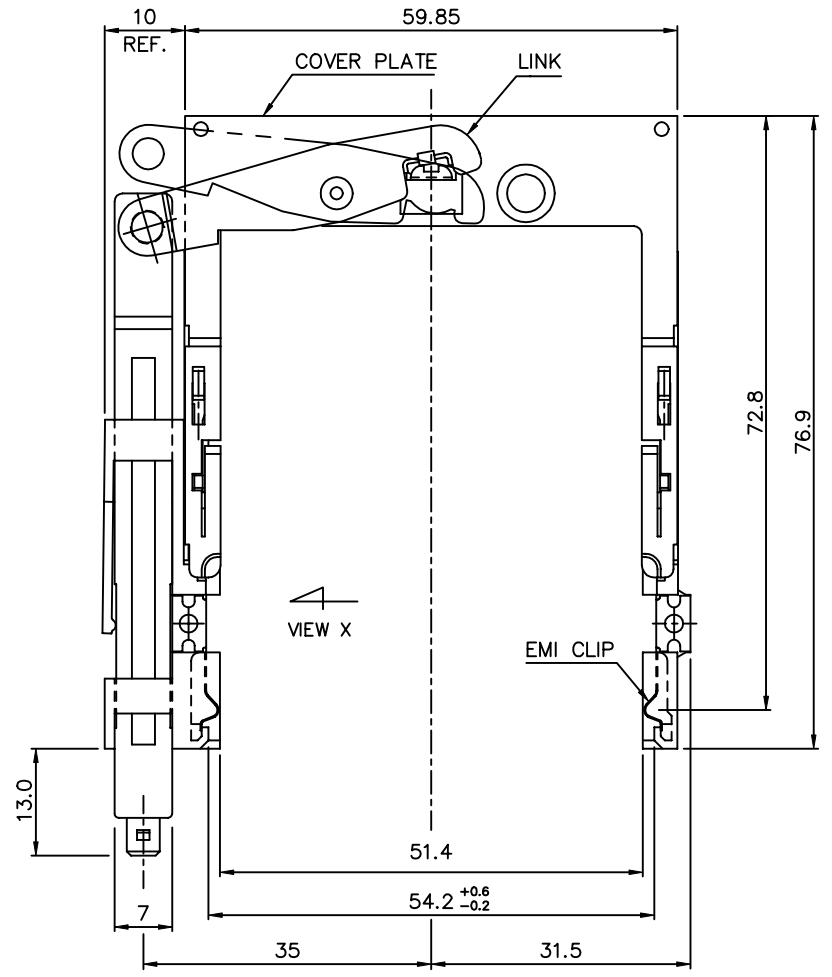
PRODUCT NO.	DIM. L
94307-10GA	0.0
94307-12GA	2.0
94307-15GA	5.0



VIEW X



NOTES:
 1. EJECT PLATE MOVE ALONG INSIDE WALL OF COVER PLATE SMOOTHLY AFTER ASSEMBLING WITH HDR ASS'Y.



mat'l code		tolerance unless otherwise specified		CUSTOMER COPY	FCI ELECTRONICS	
rev.	ecn no.	dr	date	linear	projection	title
C						
				angles	± 2°	
		dr	WENDY CHEN	08/02/95	unit	product family
		enr	JOSEPH HSIA	08/02/95	mm/inch	PCMCIA
		chr	JOSEPH HSIA	08/02/95	scale	size
		appd	JENN TSAO	08/02/95	1.5:1	dwg no.
						94307
sheet	revision					
index	sheet					sheet 4 OF