



Chipsmall Limited consists of a professional team with an average of over 10 year of expertise in the distribution of electronic components. Based in Hongkong, we have already established firm and mutual-benefit business relationships with customers from,Europe,America and south Asia,supplying obsolete and hard-to-find components to meet their specific needs.

With the principle of "Quality Parts,Customers Priority,Honest Operation,and Considerate Service",our business mainly focus on the distribution of electronic components. Line cards we deal with include Microchip,ALPS,ROHM,Xilinx,Pulse,ON,Everlight and Freescale. Main products comprise IC,Modules,Potentiometer,IC Socket,Relay,Connector.Our parts cover such applications as commercial,industrial, and automotives areas.

We are looking forward to setting up business relationship with you and hope to provide you with the best service and solution. Let us make a better world for our industry!



## Contact us

Tel: +86-755-8981 8866 Fax: +86-755-8427 6832

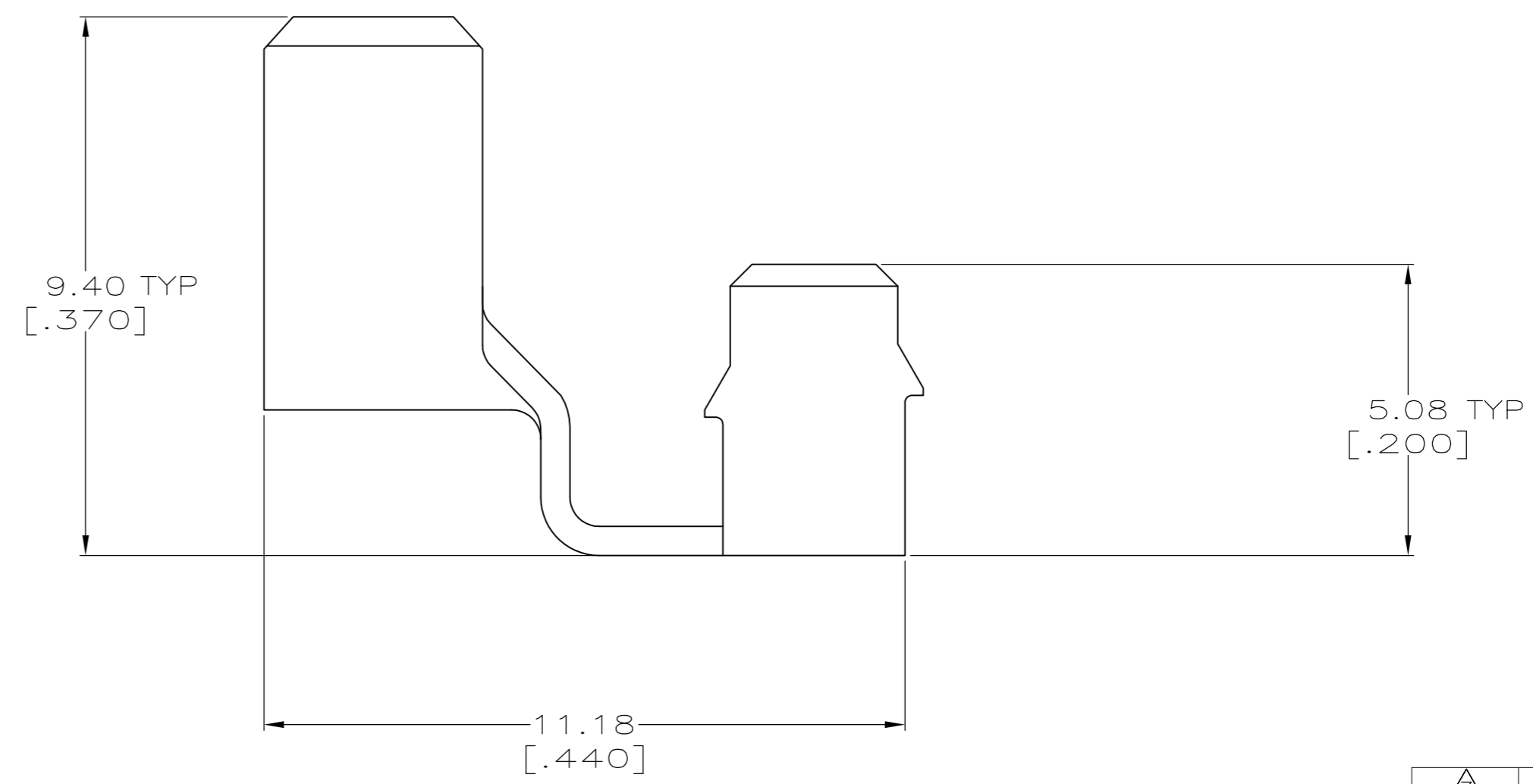
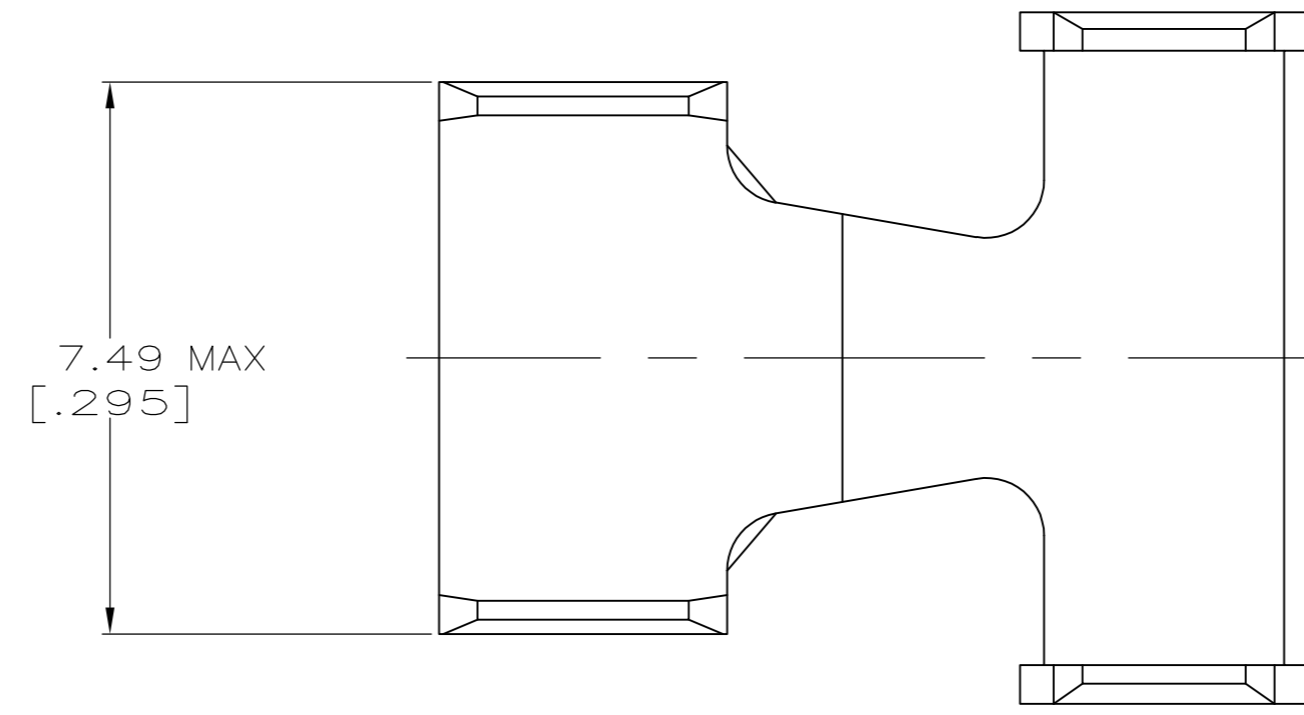
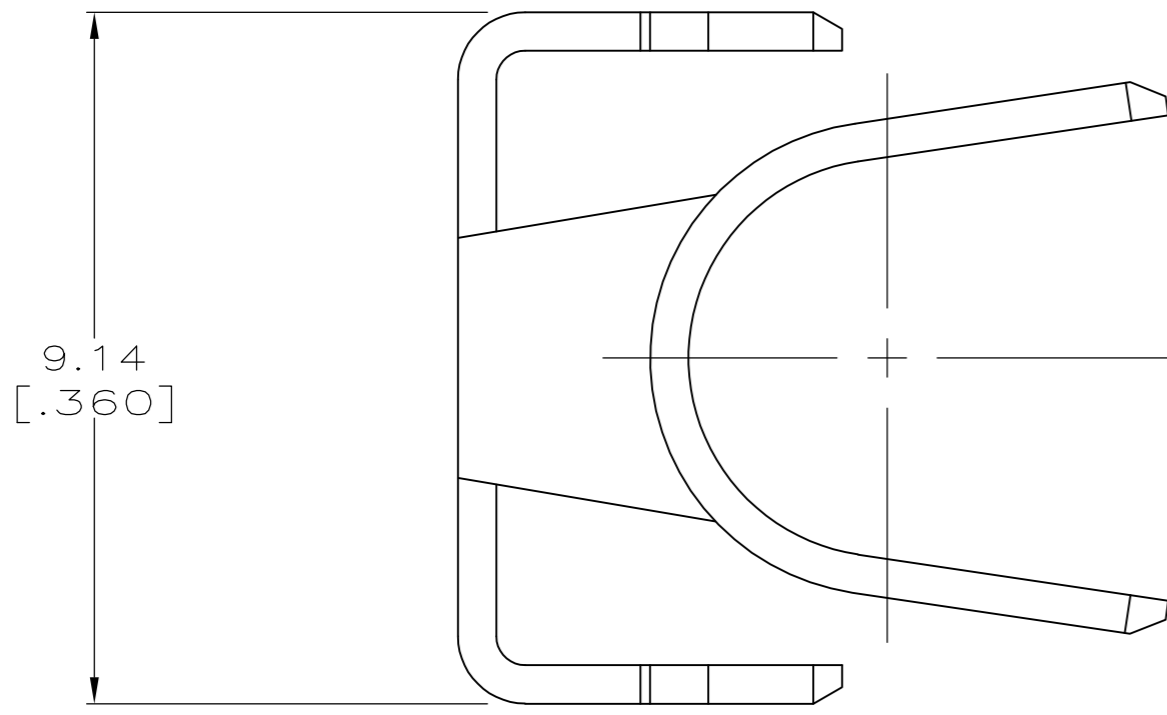
Email & Skype: info@chipsmall.com Web: www.chipsmall.com

Address: A1208, Overseas Decoration Building, #122 Zhenhua RD., Futian, Shenzhen, China



THIS DRAWING IS UNPUBLISHED. RELEASED FOR PUBLICATION  
 © COPYRIGHT - By - ALL RIGHTS RESERVED.

LOC	DIST	REVISIONS			
P	LTR	DESCRIPTION	DATE	DWN	APVD
GP	00	B	REVISED PER ECO-11-012231	12SEP2011	CJV CWR



- 1 0.76µm[.000030] MIN TIN-LEAD OVER 1.27µm[.000050] MIN NICKEL.
- 2 CARTRIDGE BRASS STRIP, B326 UNS 26000, 0.51[.020] THK.
- 3 0.76µm[.000030] MIN TIN OVER 1.27µm[.000050] MIN NICKEL.

OBSOLETE	3	943072-3
	1	943072-2
FINISH		PART NUMBER

THIS DRAWING IS A CONTROLLED DOCUMENT.		DWN	M.BINNER	01/25/95	 TE Connectivity	
DIMENSIONS:		CHK	R.STONE	01/26/95		
mm [INCHES]		APVD	R.BAER	01/26/95		
TOLERANCES UNLESS OTHERWISE SPECIFIED:		PRODUCT SPEC				
0 PLC	± -	APPLICATION SPEC			NAME	STRAIN RELIEF, SDL
1 PLC	± -				SIZE	A2
2 PLC	± 0.13 [.005]				CAGE CODE	00779
3 PLC	± -				DRAWING NO	C=943072
4 PLC	± -				RESTRICTED TO	-
ANGLES	± -				SCALE	10:1
MATERIAL	SEE TABLE	WEIGHT	-		SHEET	1 of 1
FINISH	SEE TABLE	CUSTOMER DRAWING			REV	B

943072