



Chipsmall Limited consists of a professional team with an average of over 10 year of expertise in the distribution of electronic components. Based in Hongkong, we have already established firm and mutual-benefit business relationships with customers from,Europe,America and south Asia,supplying obsolete and hard-to-find components to meet their specific needs.

With the principle of “Quality Parts,Customers Priority,Honest Operation,and Considerate Service”,our business mainly focus on the distribution of electronic components. Line cards we deal with include Microchip,ALPS,ROHM,Xilinx,Pulse,ON,Everlight and Freescale. Main products comprise IC,Modules,Potentiometer,IC Socket,Relay,Connector.Our parts cover such applications as commercial,industrial, and automotives areas.

We are looking forward to setting up business relationship with you and hope to provide you with the best service and solution. Let us make a better world for our industry!



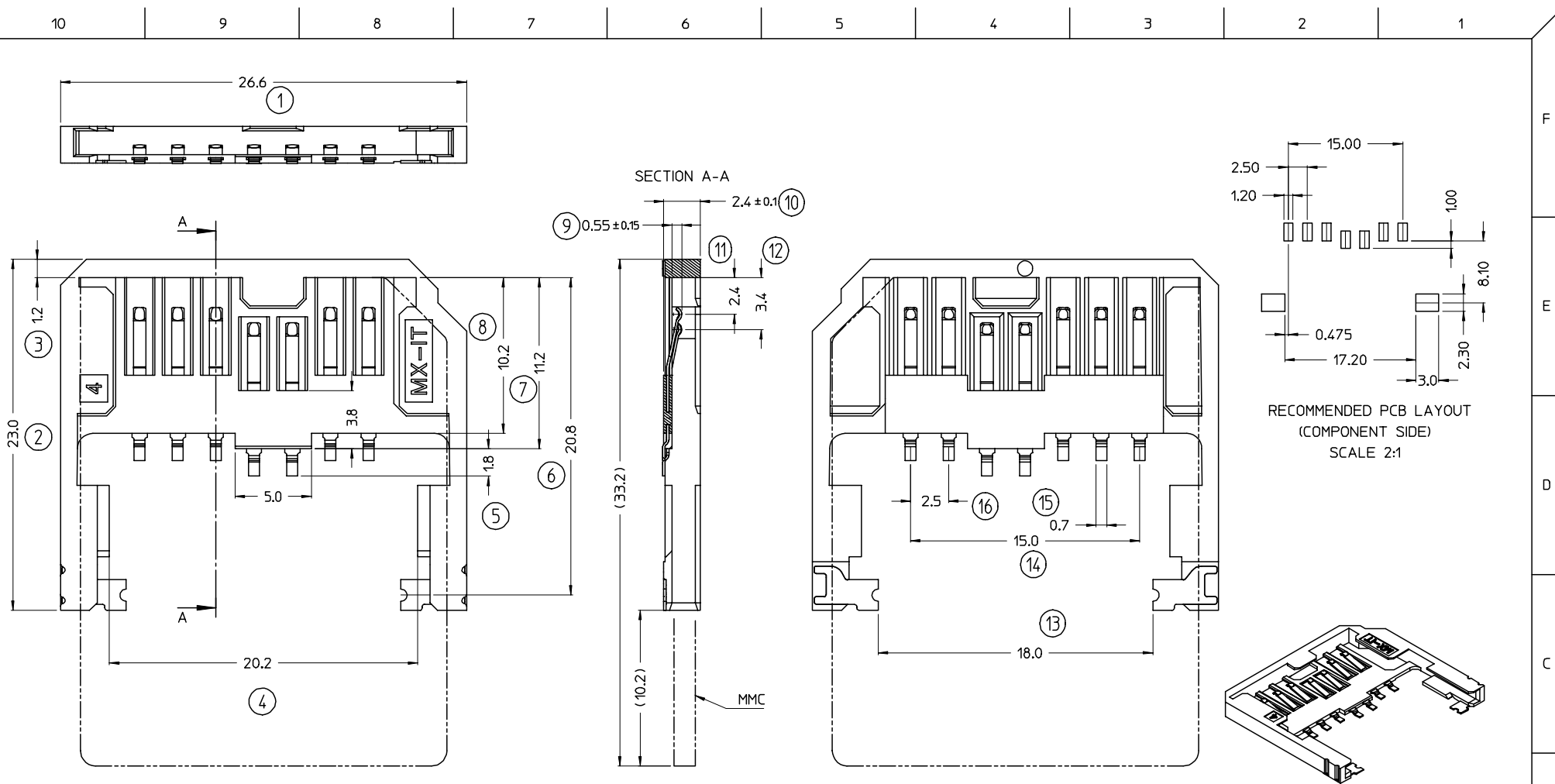
Contact us

Tel: +86-755-8981 8866 Fax: +86-755-8427 6832

Email & Skype: info@chipsmall.com Web: www.chipsmall.com

Address: A1208, Overseas Decoration Building, #122 Zhenhua RD., Futian, Shenzhen, China





NOTE

- MATERIAL**
HOUSING: LCP, UL94 V0, BLACK COLOR
TERMINAL: Ph-Bz Cu Sn8 0.15 THICK
- PLATING**
CONTACT AREA : Au 0.76um MIN OVER Ni 1.27um MIN
SOLDER AREA: PURE Sn 3.8um MIN OVER Ni 1.27um MIN
- PACKAGING:** TAPE & REEL SEE DRAWING T.B.D.
- OTHER PRODUCT CHARACTERISTIC** ACCORDING PRODUCT SPECIFICATION PS-94352-001

STD. DESCR.*MMC CONNECTOR, SMT*

EC NO: Z2006-0095 DRWN:GZUIN 2005/12/05 CHKD: 2005/12/05 APPR: FBISELLO 2005/12/07	QUALITY SYMBOLS ▴ - 0 ▽ - 0	GENERAL TOLERANCES (UNLESS SPECIFIED)		SCALE 2:1	DESIGN UNITS METRIC	FIRST ANGLE PROJECTION	REVISE ON CAD ONLY		
		4 PLACES ± --- ± ---	3 PLACES ± --- ± ---	2 PLACES ± 0.10 ± ---	1 PLACE ± 0.2 ± ---	DIMENSION STYLE MM ONLY	TITLE MULTI MEDIA CARD CONN. ASS'Y		
		ANGULAR ± 2 °		DRAFT WHERE APPLICABLE	MUST REMAIN WITHIN DIMENSIONS	DRAWN BY GZUIN	DATE 02/11/08	CHECKED BY MTESTAGU	DATE 02/11/08
		APPROVED BY RMARTUCC		DATE 02/11/08	MATERIAL NO. 94352-5007	DOCUMENT NO. SD-94352-001	SHEET NO. 1 OF 1		

MOLEX INCORPORATED
 THIS DRAWING CONTAINS INFORMATION THAT IS PROPRIETARY TO MOLEX INCORPORATED AND SHOULD NOT BE USED WITHOUT WRITTEN PERMISSION