



Chipsmall Limited consists of a professional team with an average of over 10 year of expertise in the distribution of electronic components. Based in Hongkong, we have already established firm and mutual-benefit business relationships with customers from,Europe,America and south Asia,supplying obsolete and hard-to-find components to meet their specific needs.

With the principle of “Quality Parts,Customers Priority,Honest Operation,and Considerate Service”,our business mainly focus on the distribution of electronic components. Line cards we deal with include Microchip,ALPS,ROHM,Xilinx,Pulse,ON,Everlight and Freescale. Main products comprise IC,Modules,Potentiometer,IC Socket,Relay,Connector.Our parts cover such applications as commercial,industrial, and automotives areas.

We are looking forward to setting up business relationship with you and hope to provide you with the best service and solution. Let us make a better world for our industry!



## Contact us

Tel: +86-755-8981 8866 Fax: +86-755-8427 6832

Email & Skype: info@chipsmall.com Web: www.chipsmall.com

Address: A1208, Overseas Decoration Building, #122 Zhenhua RD., Futian, Shenzhen, China



**RS  
RS 16IO 2W F R S**

**Weidmüller Interface GmbH & Co. KG**  
Klingenbergstraße 16  
D-32758 Detmold  
Germany  
Fon: +49 5231 14-0  
Fax: +49 5231 14-292083  
www.weidmueller.com



The digital direct input/output interfaces are supplied with flat cable connectors to facilitate connection. They are available in tension clamp or clamping yoke connection, with elements such as fuses, disconnectors or LEDs.

**General ordering data**

Type	RS 16IO 2W F R S
Order No.	<a href="#">9441560000</a>
Version	Interface, RS, Fuse, 2-wire, Screw connection
GTIN (EAN)	4032248253814
Qty.	1 pc(s).

**RS**  
**RS 16IO 2W F R S**

**Weidmüller Interface GmbH & Co. KG**  
 Klingenbergstraße 16  
 D-32758 Detmold  
 Germany  
 Fon: +49 5231 14-0  
 Fax: +49 5231 14-292083  
 www.weidmueller.com

**Technical data****Dimensions and weights**

Length	123 mm	Width	109 mm
Height	72 mm	Net weight	400 g

**Temperatures**

Operating temperature	-25...+50°C	Storage temperature	-40...+60 °C
-----------------------	-------------	---------------------	--------------

**General data**

LED status display per channel	No	Disconnection per channel	No
Type of test point	No	Fuse per channel	1 A
LED status of the supply voltage	No	Power supply fuse	3.15 A
Common pole polarity	Positive or negative can be selected using jumper		

**Connection data**

Connection to PLC	RSV 1.6 connector - 24 pole	Connection on control side	Connector RSV 1.6
Number of poles (control side)	24-pole female	Connection (field side)	LP2N 5.08mm
Wiring system	2-wire		

**Ratings data**

Operating voltage	150 V UC	Max. current per channel	1 A
Total operating current	2 A		

**Insulation coordination (EN50178)**

According to	DIN EN 50178	Rated insulation voltage	< 150 V AC
Surge voltage category	II	Pollution severity level	2
Pulse voltage test (1,2/50µs)	1.5 kV	Insulation test voltage	1.1 kVAC

**Connection field**

Type of connection	Screw connection	Clamping range, min.	0.13 mm <sup>2</sup>
Clamping range, max.	2.5 mm <sup>2</sup>	Solid, min. H05(07) V-U	0.5 mm <sup>2</sup>
Solid, max. H05(07) V-U	6 mm <sup>2</sup>	Flexible, min. H05(07) V-K	0.5 mm <sup>2</sup>
Flexible, max. H05(07) V-K	4 mm <sup>2</sup>	Flexible with sleeve, max.	2.5 mm <sup>2</sup>
Flexible with sleeve, min.	0.5 mm <sup>2</sup>	Sleeve with plastic collar, max.	2.5 mm <sup>2</sup>
Min. wire cross-section, AWG [field]	AWG 26	Max. wire cross-section, AWG [field]	AWG 12
Tightening torque, min.	0.5 Nm	Tightening torque, max.	0.6 Nm
Stripping length	6 mm		

**Supply connection**

Type of connection	Screw connection	Clamping range, min.	0.13 mm <sup>2</sup>
Clamping range, max.	2.5 mm <sup>2</sup>		

**Classifications**

ETIM 3.0	EC001423	UNSPSC	30-21-18-01
eClass 5.1	27-24-22-08	eClass 6.2	27-24-22-08
eClass 7.1	27-24-22-08		

**Data sheet****RS  
RS 16IO 2W F R S****Weidmüller Interface GmbH & Co. KG**  
Klingenbergstraße 16  
D-32758 Detmold  
Germany  
Fon: +49 5231 14-0  
Fax: +49 5231 14-292083  
www.weidmueller.com**Technical data****Product information**

Descriptive text technical data	The common C may carry up to 3 A if the external jumpers are not used
---------------------------------	-----------------------------------------------------------------------

**Approvals**

Approvals



ROHS	Conform
------	---------

**Downloads**

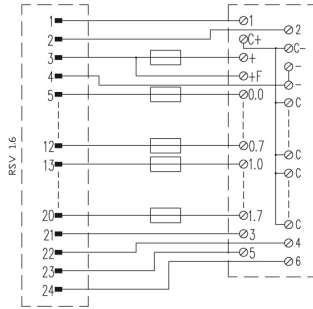
Declaration of Conformity	<a href="#">K246_09_02.pdf</a>
---------------------------	--------------------------------

**Data sheet**

**RS  
RS 16IO 2W F R S**

**Weidmüller Interface GmbH & Co. KG**  
 Klingenbergstraße 16  
 D-32758 Detmold  
 Germany  
 Fon: +49 5231 14-0  
 Fax: +49 5231 14-292083  
 www.weidmueller.com

**Drawings**



The wiring diagram corresponds to the version with LEDs.