



Chipsmall Limited consists of a professional team with an average of over 10 year of expertise in the distribution of electronic components. Based in Hongkong, we have already established firm and mutual-benefit business relationships with customers from,Europe,America and south Asia,supplying obsolete and hard-to-find components to meet their specific needs.

With the principle of "Quality Parts,Customers Priority,Honest Operation,and Considerate Service",our business mainly focus on the distribution of electronic components. Line cards we deal with include Microchip,ALPS,ROHM,Xilinx,Pulse,ON,Everlight and Freescale. Main products comprise IC,Modules,Potentiometer,IC Socket,Relay,Connector.Our parts cover such applications as commercial,industrial, and automotives areas.

We are looking forward to setting up business relationship with you and hope to provide you with the best service and solution. Let us make a better world for our industry!



Contact us

Tel: +86-755-8981 8866 Fax: +86-755-8427 6832

Email & Skype: info@chipsmall.com Web: www.chipsmall.com

Address: A1208, Overseas Decoration Building, #122 Zhenhua RD., Futian, Shenzhen, China



**RS
RS 16IO 1W L H S**

Weidmüller Interface GmbH & Co. KG
Klingenbergstraße 16
D-32758 Detmold
Germany
Fon: +49 5231 14-0
Fax: +49 5231 14-292083
www.weidmueller.com



The digital direct input/output interfaces are supplied with flat cable connectors to facilitate connection. They are available in tension clamp or clamping yoke connection, with elements such as fuses, disconnectors or LEDs.

General ordering data

Type	RS 16IO 1W L H S
Order No.	9445710000
Version	Interface, RS, LED, 1-wire, Screw connection
GTIN (EAN)	4032248252930
Qty.	1 pc(s).

RS
RS 16IO 1W L H S

Weidmüller Interface GmbH & Co. KG
 Klingenbergstraße 16
 D-32758 Detmold
 Germany
 Fon: +49 5231 14-0
 Fax: +49 5231 14-292083
 www.weidmueller.com

Technical data**Dimensions and weights**

Length	46 mm	Width	87 mm
Height	72 mm	Net weight	122 g

Temperatures

Operating temperature	-25...+50°C	Storage temperature	-40...+60 °C
-----------------------	-------------	---------------------	--------------

General data

LED status display per channel	green	Disconnection per channel	No
Type of test point	No	Fuse per channel	No
LED status of the supply voltage	yellow	Power supply fuse	3.15 A
Common pole polarity	No		

Connection data

Connection to PLC	HE 10 connector - 20 pole	Connection on control side	Connector according IEC60603-13/DIN41651
Number of poles (control side)	20-pole plug	Connection (field side)	LP2N 5.08mm
Wiring system	1-wire		

Ratings data

Operating voltage	24 V DC \pm 10%	Max. current per channel	1 A
Total operating current	2 A		

Insulation coordination (EN50178)

According to	DIN EN 50178	Rated insulation voltage	< 50 V AC
Surge voltage category	III	Pollution severity level	2
Pulse voltage test (1,2/50 μ s)	0.8 kV	Insulation test voltage	0.35 kVAC

Connection field

Type of connection	Screw connection	Clamping range, min.	0.13 mm ²
Clamping range, max.	6 mm ²	Solid, min. H05(07) V-U	0.5 mm ²
Solid, max. H05(07) V-U	6 mm ²	Flexible, min. H05(07) V-K	0.5 mm ²
Flexible, max. H05(07) V-K	4 mm ²	Flexible with sleeve, max.	2.5 mm ²
Flexible with sleeve, min.	0.5 mm ²	Sleeve with plastic collar, max.	2.5 mm ²
Min. wire cross-section, AWG [field]	AWG 26	Max. wire cross-section, AWG [field]	AWG 12
Tightening torque, min.	0.5 Nm	Tightening torque, max.	0.6 Nm
Stripping length	6 mm		

Supply connection

Type of connection	Screw connection	Clamping range, min.	0.13 mm ²
Clamping range, max.	6 mm ²	Solid, min. H05(07) V-U	0.5 mm ²
Solid, max. H05(07) V-U	6 mm ²	Flexible, min. H05(07) V-K	0.5 mm ²
Flexible, max. H05(07) V-K	4 mm ²	Flexible with sleeve, max.	2.5 mm ²
Flexible with sleeve, min.	0.5 mm ²	Ferrule with plastic collar, max.	2.5 mm ²
Wire cross-section, min. AWG	AWG 26	Wire cross-section, max. AWG	AWG 12
Tightening torque, min.	0.5 Nm	Tightening torque, max.	0.6 Nm
Stripping length	6 mm		

Data sheet**RS
RS 16IO 1W L H S****Weidmüller Interface GmbH & Co. KG**
Klingenbergstraße 16
D-32758 Detmold
Germany
Fon: +49 5231 14-0
Fax: +49 5231 14-292083
www.weidmueller.com**Technical data****Classifications**

ETIM 3.0	EC001423	UNSPSC	30-21-18-01
eClass 5.1	27-24-22-08	eClass 6.2	27-24-22-08
eClass 7.1	27-24-22-08		

Approvals

Approvals



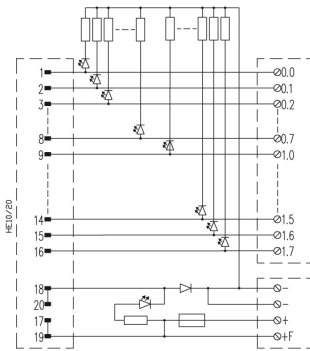
ROHS

Conform

DownloadsDeclaration of Conformity [K277_11_04.pdf](#)

**RS
RS 16IO 1W L H S**

Weidmüller Interface GmbH & Co. KG
Klingenbergstraße 16
D-32758 Detmold
Germany
Fon: +49 5231 14-0
Fax: +49 5231 14-292083
www.weidmueller.com

Drawings

The wiring diagram corresponds to the version with LEDs.