



Chipsmall Limited consists of a professional team with an average of over 10 year of expertise in the distribution of electronic components. Based in Hongkong, we have already established firm and mutual-benefit business relationships with customers from,Europe,America and south Asia,supplying obsolete and hard-to-find components to meet their specific needs.

With the principle of "Quality Parts,Customers Priority,Honest Operation,and Considerate Service",our business mainly focus on the distribution of electronic components. Line cards we deal with include Microchip,ALPS,ROHM,Xilinx,Pulse,ON,Everlight and Freescale. Main products comprise IC,Modules,Potentiometer,IC Socket,Relay,Connector.Our parts cover such applications as commercial,industrial, and automotives areas.

We are looking forward to setting up business relationship with you and hope to provide you with the best service and solution. Let us make a better world for our industry!



Contact us

Tel: +86-755-8981 8866 Fax: +86-755-8427 6832

Email & Skype: info@chipsmall.com Web: www.chipsmall.com

Address: A1208, Overseas Decoration Building, #122 Zhenhua RD., Futian, Shenzhen, China



RS
RS 32IO 1W H S**Weidmüller Interface GmbH & Co. KG**
Klingenbergstraße 16
D-32758 Detmold
Germany
Fon: +49 5231 14-0
Fax: +49 5231 14-292083
www.weidmueller.com

The digital direct input/output interfaces are supplied with flat cable connectors to facilitate connection. They are available in tension clamp or clamping yoke connection, with elements such as fuses, disconnectors or LEDs.

General ordering data

| | |
|------------|---|
| Type | RS 32IO 1W H S |
| Order No. | 944590000 |
| Version | Interface, RS, 1-wire, Screw connection |
| GTIN (EAN) | 4032248253012 |
| Qty. | 1 pc(s). |

RS
RS 32IO 1W H S

Weidmüller Interface GmbH & Co. KG
 Klingenbergstraße 16
 D-32758 Detmold
 Germany
 Fon: +49 5231 14-0
 Fax: +49 5231 14-292083
 www.weidmueller.com

Technical data**Dimensions and weights**

| | | | |
|--------|-------|------------|-------|
| Length | 90 mm | Width | 87 mm |
| Height | 72 mm | Net weight | 218 g |

Temperatures

| | | | |
|-----------------------|-------------|---------------------|--------------|
| Operating temperature | -25...+50°C | Storage temperature | -40...+60 °C |
|-----------------------|-------------|---------------------|--------------|

General data

| | | | |
|----------------------------------|--------|---------------------------|--------|
| LED status display per channel | No | Disconnection per channel | No |
| Type of test point | No | Fuse per channel | No |
| LED status of the supply voltage | yellow | Power supply fuse | 3.15 A |
| Common pole polarity | No | | |

Connection data

| | | | |
|--------------------------------|---------------------------|----------------------------|--|
| Connection to PLC | HE 10 connector - 20 pole | Connection on control side | 2 x Connector according IEC60603-13/DIN41651 |
| Number of poles (control side) | 2x20-pole plug | Connection (field side) | LP2N 5.08mm |
| Wiring system | 1-wire | | |

Ratings data

| | | | |
|-------------------------|-------------------|--------------------------|-----|
| Operating voltage | 25 V AC / 50 V DC | Max. current per channel | 1 A |
| Total operating current | 2 A | | |

Insulation coordination (EN50178)

| | | | |
|-------------------------------|--------------|--------------------------|-----------|
| According to | DIN EN 50178 | Rated insulation voltage | < 50 V AC |
| Surge voltage category | III | Pollution severity level | 2 |
| Pulse voltage test (1,2/50µs) | 0.8 kV | Insulation test voltage | 0.35 kVAC |

Connection field

| | | | |
|--------------------------------------|---------------------|--------------------------------------|----------------------|
| Type of connection | Screw connection | Clamping range, min. | 0.13 mm ² |
| Clamping range, max. | 6 mm ² | Solid, min. H05(07) V-U | 0.5 mm ² |
| Solid, max. H05(07) V-U | 6 mm ² | Flexible, min. H05(07) V-K | 0.5 mm ² |
| Flexible, max. H05(07) V-K | 4 mm ² | Flexible with sleeve, max. | 2.5 mm ² |
| Flexible with sleeve, min. | 0.5 mm ² | Sleeve with plastic collar, max. | 2.5 mm ² |
| Min. wire cross-section, AWG [field] | AWG 26 | Max. wire cross-section, AWG [field] | AWG 12 |
| Tightening torque, min. | 0.5 Nm | Tightening torque, max. | 0.6 Nm |
| Stripping length | 6 mm | | |

Supply connection

| | | | |
|------------------------------|---------------------|-----------------------------------|----------------------|
| Type of connection | Screw connection | Clamping range, min. | 0.13 mm ² |
| Clamping range, max. | 6 mm ² | Solid, min. H05(07) V-U | 0.5 mm ² |
| Solid, max. H05(07) V-U | 6 mm ² | Flexible, min. H05(07) V-K | 0.5 mm ² |
| Flexible, max. H05(07) V-K | 4 mm ² | Flexible with sleeve, max. | 2.5 mm ² |
| Flexible with sleeve, min. | 0.5 mm ² | Ferrule with plastic collar, max. | 2.5 mm ² |
| Wire cross-section, min. AWG | AWG 26 | Wire cross-section, max. AWG | AWG 12 |
| Tightening torque, min. | 0.5 Nm | Tightening torque, max. | 0.6 Nm |
| Stripping length | 6 mm | | |

Data sheet**RS
RS 32IO 1W H S****Weidmüller Interface GmbH & Co. KG**
Klingenbergstraße 16
D-32758 Detmold
Germany
Fon: +49 5231 14-0
Fax: +49 5231 14-292083
www.weidmueller.com**Technical data****Classifications**

| | | | |
|------------|-------------|------------|-------------|
| ETIM 3.0 | EC001423 | UNSPSC | 30-21-18-01 |
| eClass 5.1 | 27-24-22-08 | eClass 6.2 | 27-24-22-08 |
| eClass 7.1 | 27-24-22-08 | | |

Approvals

Approvals



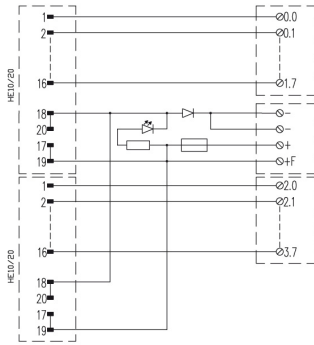
ROHS Conform

Downloads

| | |
|---------------------------|--------------------------------|
| Declaration of Conformity | K277_11_04.pdf |
| EPLAN | EPLAN Macro |

Data sheet**RS
RS 32IO 1W H S**

Weidmüller Interface GmbH & Co. KG
Klingenbergstraße 16
D-32758 Detmold
Germany
Fon: +49 5231 14-0
Fax: +49 5231 14-292083
www.weidmueller.com

Drawings

The wiring diagram corresponds to the version with LEDs.