



Chipsmall Limited consists of a professional team with an average of over 10 year of expertise in the distribution of electronic components. Based in Hongkong, we have already established firm and mutual-benefit business relationships with customers from,Europe,America and south Asia,supplying obsolete and hard-to-find components to meet their specific needs.

With the principle of “Quality Parts,Customers Priority,Honest Operation,and Considerate Service”,our business mainly focus on the distribution of electronic components. Line cards we deal with include Microchip,ALPS,ROHM,Xilinx,Pulse,ON,Everlight and Freescale. Main products comprise IC,Modules,Potentiometer,IC Socket,Relay,Connector.Our parts cover such applications as commercial,industrial, and automotives areas.

We are looking forward to setting up business relationship with you and hope to provide you with the best service and solution. Let us make a better world for our industry!



Contact us

Tel: +86-755-8981 8866 Fax: +86-755-8427 6832

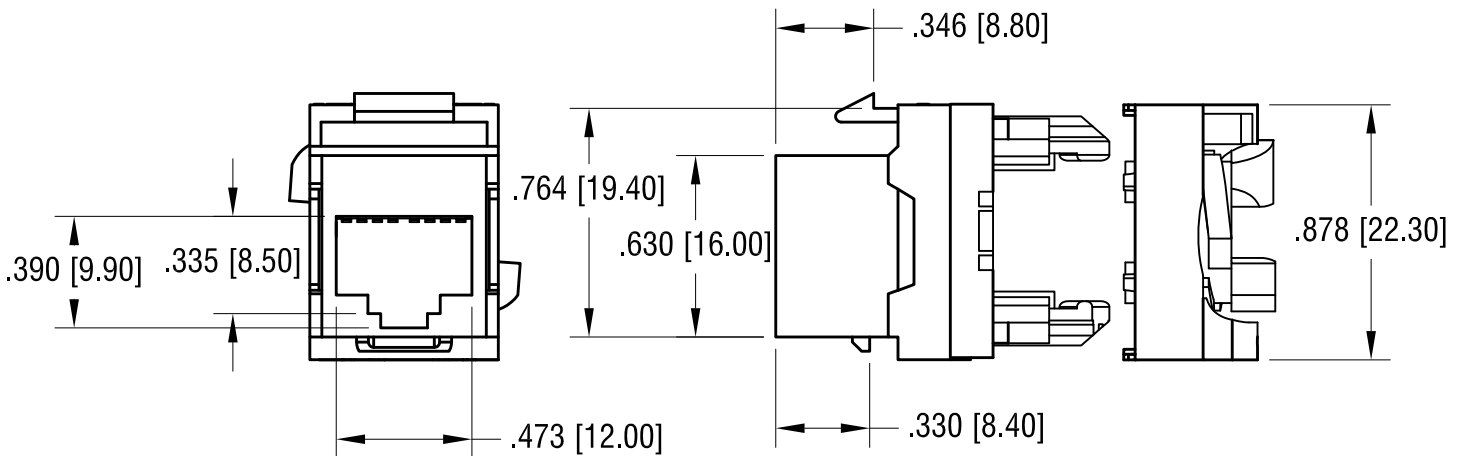
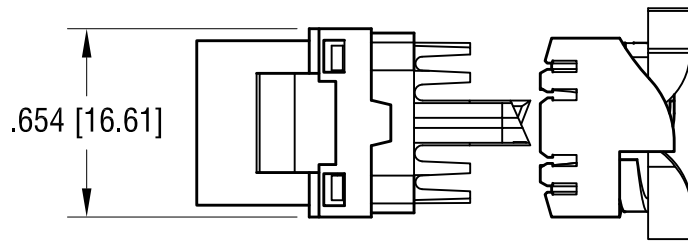
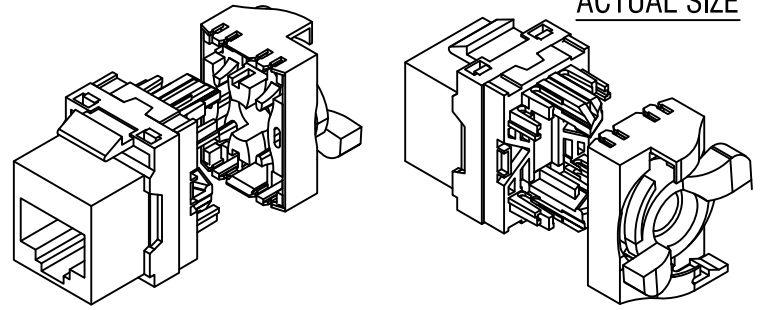
Email & Skype: info@chipsmall.com Web: www.chipsmall.com

Address: A1208, Overseas Decoration Building, #122 Zhenhua RD., Futian, Shenzhen, China



THIS DOCUMENT IS THE PROPERTY OF KEYSTONE ELECTRONICS CORP. AND SHALL NOT BE REPRODUCED, DISTRIBUTED OR USED AS A BASIS FOR MANUFACTURE WITHOUT PRIOR WRITTEN PERMISSION FROM KEYSTONE ELECTRONICS CORP.

ACTUAL SIZE



NOTE:

1. HOUSING: MAT'L- PC UL 94V-0
2. INSERT : MAT'L- FLAME RETARDANT ABS UL94V-0
3. CONTACT: MAT'L PHOSPHOR BRONZE FINISH- GOLD PLATE
4. IDC CONTACT: MAT'L- PHOSPHOR BRONZE FINISH- NICKEL PLATE
5. WIRE: 24-26 AWG (8 WIRES)
6. RJ45 CONTACTS: ≥ 750 TIMES
7. IDN LIFE: 250 TIMES MIN.
8. RETENTIVENESS OF INSERTION STRUCTURE: 50N 60 \pm 5s
9. COMPLIANT WITH EIA/TIA SPECIFICATION
10. DUAL COLOR- CODED LABEL FOR BOTH T568A/T568B WIRING SCHEMES

9.02.15	UPDATE SPECIFICATION CHANGE AS PER ECN 15-087	A
DATE	DESCRIPTION	REV.

KEYSTONE ELECTRONICS CORP.			
www.keyelco.com • ASTORIA, N.Y. 11105-2017 • Tel (718) 956-8900			
PART NAME KEYSTONE JACK, CAT 6A UTP TOOLLESS			
MATERIAL AS NOTED			
FINISH AS NOTED		DRN BY NT	DATE 2.12.15
		APP'D LN	SCALE 1.5X
TOLERANCES DECIMAL ANGULAR	INCH [MM] $\pm .005$ [± 0.13] $\pm 1^\circ$	CODE C	DWG NO. 946
UNLESS OTHERWISE SPECIFIED			