



Chipsmall Limited consists of a professional team with an average of over 10 year of expertise in the distribution of electronic components. Based in Hongkong, we have already established firm and mutual-benefit business relationships with customers from,Europe,America and south Asia,supplying obsolete and hard-to-find components to meet their specific needs.

With the principle of “Quality Parts,Customers Priority,Honest Operation,and Considerate Service”,our business mainly focus on the distribution of electronic components. Line cards we deal with include Microchip,ALPS,ROHM,Xilinx,Pulse,ON,Everlight and Freescale. Main products comprise IC,Modules,Potentiometer,IC Socket,Relay,Connector.Our parts cover such applications as commercial,industrial, and automotives areas.

We are looking forward to setting up business relationship with you and hope to provide you with the best service and solution. Let us make a better world for our industry!



Contact us

Tel: +86-755-8981 8866 Fax: +86-755-8427 6832

Email & Skype: info@chipsmall.com Web: www.chipsmall.com

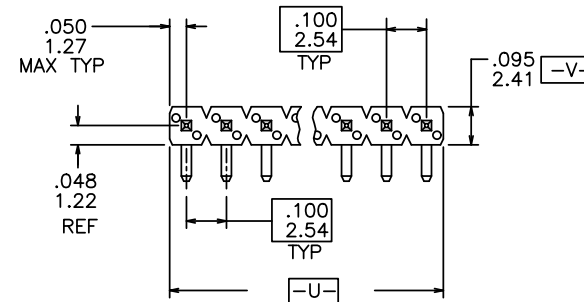
Address: A1208, Overseas Decoration Building, #122 Zhenhua RD., Futian, Shenzhen, China



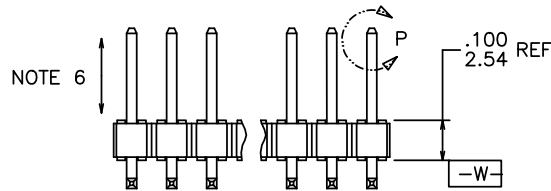
PRODUCT NUMBER

XXXXX-YYY HTLF

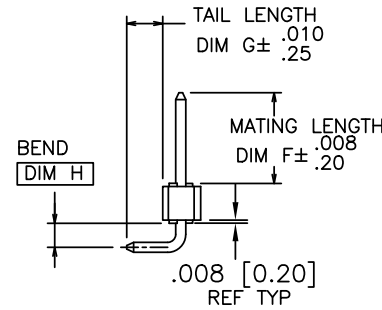
- LEAD FREE OPTION
SEE NOTE 1,11
- TUBE PACKAGING OPTION
SEE NOTE 1
- HIGH TEMPERATURE PLASTIC
SEE NOTE 1
- NO OF POSITIONS
SEE NOTE 1
- PIN PLATING
SEE SHEET 2
- BASE PART NO.



TOP VIEW



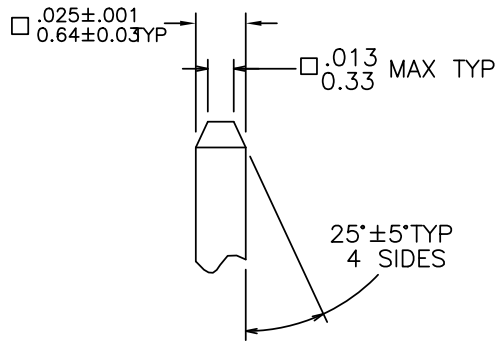
SIDE VIEW



END VIEW

⊕ ⌀.020/0.51 (M) U (M) V (S) W

NOTE 4



DETAIL P
TYP BOTH ENDS

rev	ecn no	dr	date
CR	V81876	EPK	10/26/98
CS	V20790	GIP	04/24/02
CT	M04-0234	MHT	12/29/04
CU	M05-0072	MHT	5/03/05
CV	M06-0435	MHT	10/31/06
AH	M08-0291	MHT	10/06/08
AJ	N11-0118	J.Z	2011-04-11

www.fciconnect.com			surface 6.4 ISO 1302	tolerance std ISO 406 ISO 1101	projection ⊕	INCH/MM
TOLERANCES UNLESS OTHERWISE SPECIFIED			ANGULAR	LINEAR	size A4	Scale 1.000
Dr	D.WHITING	04/07/93	0°	±2°	0.X ±0.3	ECN N11-0118
Eng	T.HANNA	04/07/93	0.XX ±0.15			
Chr	T.HANNA	04/07/93	0.XXX ±0.05			
Appr	T.HANNA	04/07/93	Product family BERGSTIK		Spec ref	
FCI			title BERGSTIK® II HEADER .100 SR R/A SELF-RET		dwg no 69191	Rev. AJ
			catalog no		CUSTOMER	sheet 1 of 4



Copyright FCI.

PIN PLATING CODES:	
XXXX-1YY	30u"/0.76u MIN (SEE NOTE 12) OVER 50u"/1.27u MIN Ni
XXXX-2YY	15u"/0.38u MIN (SEE NOTE 12) OVER 50u"/1.27u MIN Ni
XXXX-3YY	50u"/1.27u MIN (SEE NOTE 12) OVER 50u"/1.27u MIN Ni
XXXX-4YY	100u"/2.54u MIN Sn OVER 50u"/1.27u MIN Ni (SEE NOTE 1,13)
XXXX-4YYHLF	
XXXX-5YY	15u"/0.38u MIN (SEE NOTE 12) OVER 50u"/1.27u MIN Ni
XXXX-6YY	30u"/0.76u MIN (SEE NOTE 12) OVER 50u"/1.27u MIN Ni
XXXX-7YY	30u"/0.76u MIN (SEE NOTE 12) OVER 50u"/1.27u MIN Ni
XXXX-8YY	15u"/0.38u MIN (SEE NOTE 12) OVER 50u"/1.27u MIN Ni
XXXX-9YY	15u"/0.38u MIN (SEE NOTE 12) OVER 50u"/1.27u MIN Ni
XXXX-0YY	30u"/0.76u MIN (SEE NOTE 12) OVER 50u"/1.27u MIN Ni

NOTES

1. PART NUMBER OPTIONS:

PIN PLATING CODES (SEE ABOVE)

HIGH TEMP. MATERIAL:

FOR HIGH-TEMPERATURE APPLICATIONS, SPECIFY AN "H" AT THE END OF THE PART NUMBER, AND PCT WILL BE SUPPLIED.

NUMBER OF POSITION:

ANY NUMBER OF POSITIONS FROM 2 THRU 36.

PACKAGING:

PACKAGED IN POLY BAGS.

EIGHT DIGIT PART NUMBERS FOLLOWED BY A "T" ARE PACKAGED IN TUBES. SEE SPECIFIC PART NUMBERS FOR AVAILABILITY.

LEAD FREE:

ADD "HLF" SUFFIX AT THE END OF PART NUMBER FOR LEAD FREE OPTION, NOT AVAILABLE FOR -5YY,-5YYH,-6YY & -6YYH.

2. BODY MATERIAL:

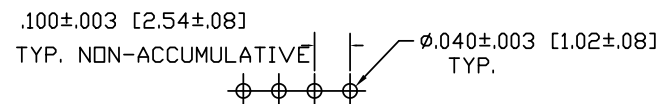
MANUFACTURER'S OPTION OF NYLON OR PCT, GLASS FIBER REINFORCED, FLAME RETARDENT PER UL-94V-0.

COLOR: BLACK. OR MINERAL FILLES LCP, COLOR BLACK FLAME RETARDENT PER UL-94V-0

PART NUMBERS WITH "H" SUFFIX WILL WITHSTAND EXPOSURE TO 260°C PEAK TEMPERATURE FOR 20 SECONDS IN WAVE SOLDER, INFRA-RED OR VAPOR PHASE SOLDER PROCESS.

PART NUMBERS WITHOUT "H" SUFFIX WILL WITHSTAND EXPOSURE TO 260°C PEAK TEMPERATURE FOR WAVE SOLDER PROCESS.

- 3. PIN MATERIAL: PHOS-BRONZE.
- 4. MEASURED WITH PART IN RESTRAINED CONDITION.
- 5. TWO SIDES OF PIN TIPS NOT PLATED. TYPICAL BOTH ENDS.
- 6. 2LBS/0.9KG MIN PIN RETENTION IN EITHER DIRECTION.
- 7. ±.010/0.25 ON DIM "F" APPLIES TO THIS PART ONLY.
- 8. 5LB/2.3KG MAX INSERTION FORCE AND .25LB/.1KG MIN RETENTION FORCE PER RETENTIVE PIN USING .062/1.57 THICK CIRCUIT BOARDS AND RECOMMENDED HOLE PATTERN.
- 8. DETAIL N DIMENSIONS APPLY TO 2 POSITION PARTS ONLY
- 9. SECTION R-R DIMENSIONS ONLY APPLY TO RETENTION. PIN POSITIONS FOR 3 POSITION PARTS AND LARGER. RETENTION PIN POSITIONS LOCATED AT MANUFACTURES OPTION.
- 10. SECTION S-S DIMENSIONS APPLY TO DUAL RETENTION PIN POSITIONS ONLY. SEE PRODUCT PART NUMBER FOR SINGLE OR DUAL SIDE RETENTION. LOCATED AT MANUFACTURER'S OPTION.
- 11. THESE PRODUCTS MEETS EUROPEAN UNION DIRECTIVES AND OTHER COUNTRY REGULATION AS DESCRIBED IN GS-22-008.
- 12. PLATING OPTIONS: PERFORMANCE PLATING WILL BE EITHER GOLD OR GXT ON POST OR TAIL, OPTIONALLY (78~295u"/2~7.5u) TIN ON TAIL.
- 13. THIS PRODUCT HAS 100% TIN PLATING IN THE INTERFACE AND HAS NOT BEEN TESTED FOR WHISKER GROWTH IN ALL INTERCONNECT ENVIRONMENTS."



RECOMMENDED HOLE PATTERN

www.fciconnect.com			surface ISO 1302 ✓	tolerance std ISO 406 ISO 1101	projection A	INCH/MM	
			TOLERANCES UNLESS OTHERWISE SPECIFIED				
Dr	D.WHITING	04/07/93	ANGULAR	LINEAR	0.X	±0.3	size A4
Eng	T.HANNA	04/07/93			0.XX	±0.15	
Chr	T.HANNA	04/07/93	0°	±2°	0.XXX	±0.05	ECN N11-0118
Appr	T.HANNA	04/07/93	Product family		BERGSTIK	Spec ref	
FCI			title		BERGSTIK® II HEADER		dwg no 69191
					.100 SR R/A SELF-RET		
			catalog no		CUSTOMER		Rev. AJ
					sheet 2 of 4		



Copyright FCI.

D

1

2

3

4

A

B

C

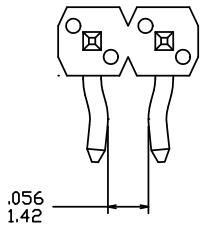
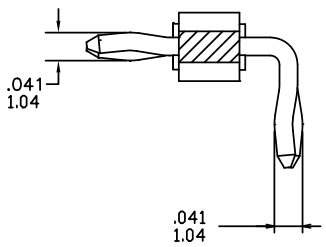
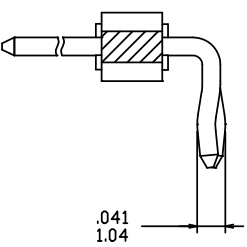
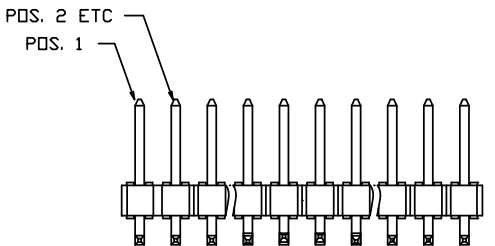
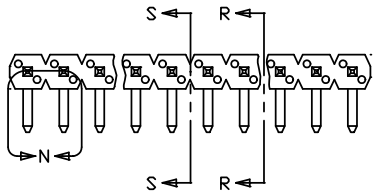
D

A

B

C

D



Copyright FCI.

www.fciconnect.com			surface ISO 1302 ✓	tolerance std ISO 406 ISO 1101	projection ⊕	INCH/MM ↔		
			TOLERANCES UNLESS OTHERWISE SPECIFIED					
Dr	D.WHITING	04/07/93	ANGULAR	LINEAR	0.X	±0.3	size A4	Scale 1.000
Eng	T.HANNA	04/07/93			0.XX	±0.15		
Chr	T.HANNA	04/07/93	0°	±2°	0.XXX	±0.05	ECN	N11-0118
Appr	T.HANNA	04/07/93	Product family		BERGSTIK	Spec ref		
			title BERGSTIK® II HEADER .100 SR R/A SELF-RET			dwg no 69191		Rev. AJ
catalog no			CUSTOMER			sheet 3 of 4		

REV F - 2006-04-17

1

2

PDM: Rev:AJ

STATUS: Released

4 Printed: May 20, 2011

1

2

3

4

PRODUCT NUMBER	MATING LENGTH		TAIL LENGTH		BEND DIM		RETENTION	PACKAGING	NOTES	LF OPTION
	DIM F	DIM F	DIM G	DIM G	DIM H	DIM H				
	ENGLISH	METRIC	ENGLISH	METRIC	ENGLISH	METRIC	LOCATION			
69191-XYX	0.230	5.84	0.120	3.05	0.060	1.52	G TAIL	POLY BAGS/TUBES	-	NOTE 1,11
72375-XYXH	0.240	6.10	0.120	3.05	0.060	1.52	G TAIL	POLY BAGS	-	
78554-XYX	0.318	8.08	0.120	3.05	0.060	1.52	G TAIL	POLY BAGS/TUBES	-	
78940-XYX	0.120	3.05	0.120	3.05	0.060	1.52	F MATE & G TAIL	POLY BAGS	7	
78952-XYX	0.120	3.05	0.318	8.08	0.135	3.43	F MATE	POLY BAGS	7	
79253-XYX	U N A V A I L A B L E									
84825-XYXH	0.354	9.00	0.102	2.60	0.060	1.52	G TAIL	POLY BAGS	-	
84851-XYXH	0.140	3.56	0.290	7.37	0.153	3.89	G TAIL	POLY BAGS	-	
86641-XYX	0.120	3.05	0.120	3.05	0.060	1.52	G TAIL	POLY BAGS	-	
87018-XYX	U N A V A I L A B L E									
87844-XYX	U N A V A I L A B L E									
87965-XYX	U N A V A I L A B L E									
88869-XYX	0.120	3.05	0.230	5.84	0.135	3.43	F MATE	POLY BAGS	7	
90304-XYX	0.165	4.19	0.120	3.05	0.060	1.52	G TAIL	POLY BAGS	-	
90604-XYX	U N A V A I L A B L E									
90609-XYX	U N A V A I L A B L E									
90638-XYX	0.120	3.05	0.262	6.65	0.060	1.52	F MATE	POLY BAGS/TUBES	7	
90640-XYX	0.120	3.05	0.262	6.65	0.127	3.23	F MATE	POLY BAGS	7	
94669-XYXH	0.230	5.84	0.085	2.16	0.060	1.52	G TAIL	POLY BAGS	-	
94670-XYXH	0.400	10.16	0.085	2.16	0.060	1.52	G TAIL	POLY BAGS	-	NOTE 1,11



Copyright FCI.

www.fciconnect.com			surface ISO 1302 ✓	tolerance std ISO 406 ISO 1101	projection ⊕	INCH/MM ←→		
			TOLERANCES UNLESS OTHERWISE SPECIFIED					
Dr	D.WHITING	04/07/93	ANGULAR	LINEAR	0.X	±0.3	size A4	Scale 1.000
Eng	T.HANNA	04/07/93			0.XX	±0.15		
Chr	T.HANNA	04/07/93	0°	±2°	0.XXX	±0.05	ECN N11-0118	
Appr	T.HANNA	04/07/93	Product family BERGSTIK		Spec ref			
			title BERGSTIK® II HEADER .100 SR R/A SELF-RET		dwg no 69191		Rev. AJ	
			catalog no		CUSTOMER		sheet 4 of 4	

REV F - 2006-04-17

1

2

PDM: Rev:AJ

STATUS: Released

4 Printed: May 20, 2011