



Chipsmall Limited consists of a professional team with an average of over 10 year of expertise in the distribution of electronic components. Based in Hongkong, we have already established firm and mutual-benefit business relationships with customers from,Europe,America and south Asia,supplying obsolete and hard-to-find components to meet their specific needs.

With the principle of "Quality Parts,Customers Priority,Honest Operation,and Considerate Service",our business mainly focus on the distribution of electronic components. Line cards we deal with include Microchip,ALPS,ROHM,Xilinx,Pulse,ON,Everlight and Freescale. Main products comprise IC,Modules,Potentiometer,IC Socket,Relay,Connector.Our parts cover such applications as commercial,industrial, and automotives areas.

We are looking forward to setting up business relationship with you and hope to provide you with the best service and solution. Let us make a better world for our industry!



## Contact us

Tel: +86-755-8981 8866 Fax: +86-755-8427 6832

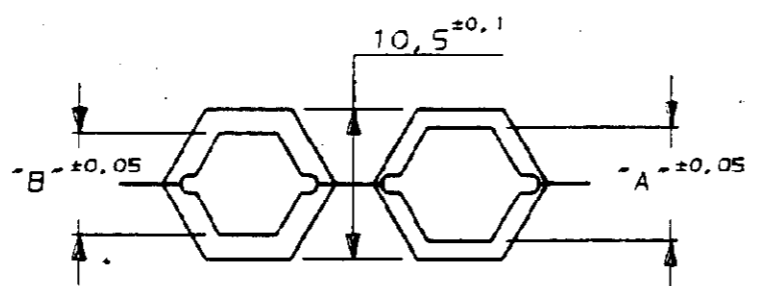
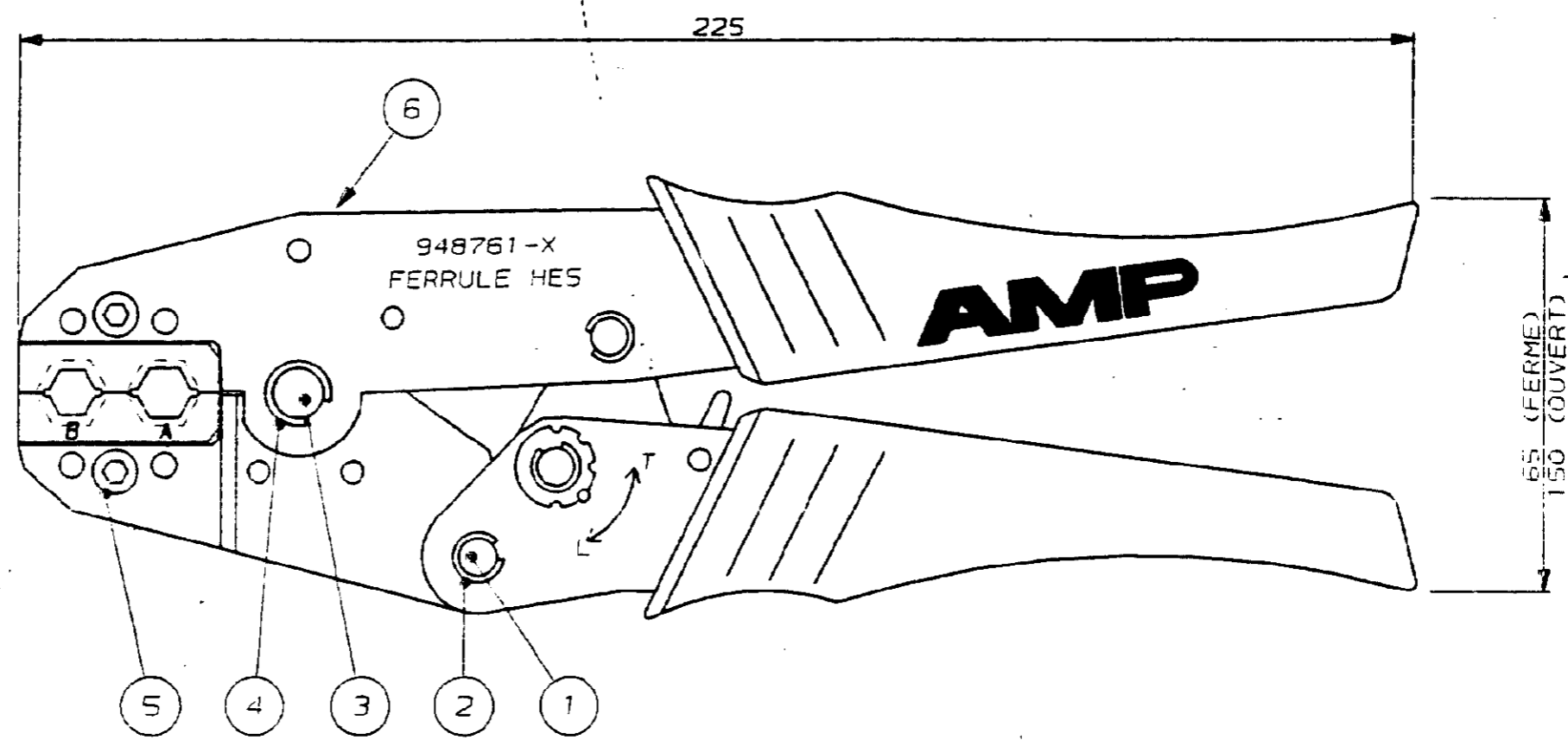
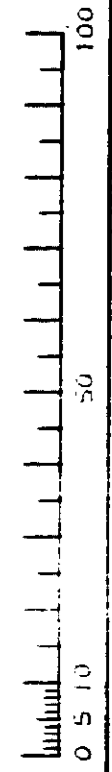
Email & Skype: info@chipsmall.com Web: www.chipsmall.com

Address: A1208, Overseas Decoration Building, #122 Zhenhua RD., Futian, Shenzhen, China



N° C948761 A3

NOTICE D'UTILISATION : IS 15889



| COTES DE FERMETURE DES MACHOIRES |          |           |           |
|----------------------------------|----------|-----------|-----------|
| POUR CABLE Ø                     | NUMERO   | EMPR. "B" | EMPR. "A" |
| 8,25 a 11mm                      | 948761-3 | 8,8       | 10,1      |
| 6,25 a 8,25mm                    | 948761-2 | 7,1       | 7,9       |
| 4,8 a 6,25mm                     | 948761-1 | 5,7       | 6,4       |

| NUMERO     | DESCRIPTION | OBSERVATIONS | REP. |
|------------|-------------|--------------|------|
| 949497-2   | RESSORT     |              | 6    |
| 1-949497-0 | VIS         |              | 5    |
| 949497-6   | CIRCLIP     |              | 4    |
| 949497-5   | AXE         |              | 3    |
| 949497-4   | CIRCLIP     |              | 2    |
| 949497-3   | AXE         |              | 1    |

DIMENSIONS IN MM. DO NOT SCALE PRINT. Dimensions en mm. Représentation non à l'échelle

POIDS : 500 g  
 PRESSION SUR POIGNEES : 400 N (MAX)

|     |               |     |       |   |             |                                    |      |
|-----|---------------|-----|-------|---|-------------|------------------------------------|------|
| -   | -             | -   | -     | NUMERO  | DESCRIPTION | OBSERVATIONS                       | REP. |
| -   | -             | -   | -     | ©19-- BY AMP INCORPORATED ALL RIGHTS RESERVED. AMP PRODUCTS COVERED BY PATENTS AND/OR PATENTS PENDING |             |                                    |      |
| -   | -             | -   | -     | DESSIN CLIENT UNIQUEMENT POUR REFERENCES  |             |                                    |      |
| -   | -             | -   | -     | DESSINE LE  | MATIERE     | AMP AMP DE FRANCE 95301 PONTOISE   |      |
| -   | -             | -   | -     | 23/04/91  | -           | CLASSE -                           |      |
| -   | -             | -   | -     | PAR   | FINITION    | TYPE COSSE TUBULAIRE               |      |
| -   | -             | -   | -     | R.PETIT   | -           | DIMENS. FIL ISOLANT (VOIR TABLEAU) |      |
| -   | -             | -   | -     | VERIFIE LE  | -           | TOLERANCES SAUF INDICATION ± 0,3   |      |
| -   | -             | -   | -     | PAR   | -           | ECHELLE 1                          |      |
| -   | -             | -   | -     | PLAN FAIT EN  | -           | REV 0                              |      |
| -   | -             | -   | -     | CAO   | -           | F B N° C948761                     |      |
| 0   | -             | RP  | 04/91 | ne pas modifier le calque   |             |                                    |      |
| REV | MODIFICATIONS | DES | DATE  | PINCE DE SERTISSAGE   |             |                                    |      |

DIST 11