



Chipsmall Limited consists of a professional team with an average of over 10 year of expertise in the distribution of electronic components. Based in Hongkong, we have already established firm and mutual-benefit business relationships with customers from,Europe,America and south Asia,supplying obsolete and hard-to-find components to meet their specific needs.

With the principle of “Quality Parts,Customers Priority,Honest Operation,and Considerate Service”,our business mainly focus on the distribution of electronic components. Line cards we deal with include Microchip,ALPS,ROHM,Xilinx,Pulse,ON,Everlight and Freescale. Main products comprise IC,Modules,Potentiometer,IC Socket,Relay,Connector.Our parts cover such applications as commercial,industrial, and automotives areas.

We are looking forward to setting up business relationship with you and hope to provide you with the best service and solution. Let us make a better world for our industry!



Contact us

Tel: +86-755-8981 8866 Fax: +86-755-8427 6832

Email & Skype: info@chipsmall.com Web: www.chipsmall.com

Address: A1208, Overseas Decoration Building, #122 Zhenhua RD., Futian, Shenzhen, China



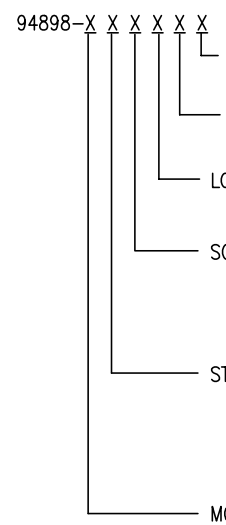
FCI CONFIDENTIAL



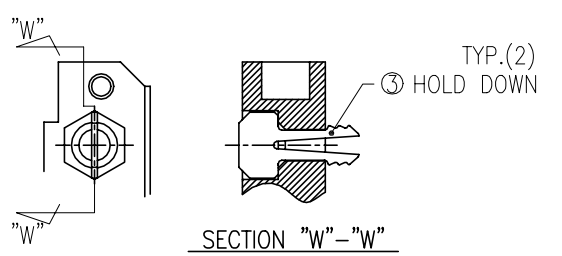
This document is the property of and embodies CONFIDENTIAL and PROPRIETARY information of FCI. No part of this information shown on this document may be used in any way or disclosed to others without the written consent of FCI. Copyright FCI.

PRODUCT NO.
94898

PRODUCT NO.	STAND OFF	SOLDER TAIL	DIM "P" (mm)	DIM "Q" (mm)	FOR LOWER DECK OR UPPER DECK	HOLD DOWN	SHEET NO.	MOUNTING STYLE TO PCB		
94898-XXXX	DIM "M" (mm)									
000	0	R/A	2.8	--	LOWER	NONE	NO.2	TOP MOUNT 94898-0XXX		
000LF	0	R/A	2.8	--	LOWER	NONE				
000MLF	0	R/A	2.8	--	LOWER	NONE				
000H	0	R/A	2.8	--	LOWER	YES				
000HLF	0	R/A	2.8	--	LOWER	YES				
001	0	SMT STAGGERED	--	--	LOWER	NONE				
001LF	0	SMT STAGGERED	--	--	LOWER	NONE				
001H	0	SMT STAGGERED	--	--	LOWER	YES				
001HLF	0	SMT STAGGERED	--	--	LOWER	YES				
002	0	SMT IN LINE	--	--	LOWER	NONE				
002LF	0	SMT IN LINE	--	--	LOWER	NONE				
002H	0	SMT IN LINE	--	--	LOWER	YES				
002HLF	0	SMT IN LINE	--	--	LOWER	YES				
010	4	R/A	2.8	--	LOWER	NONE	NO.3	BLACK COLOR 		
010LF	4	R/A	2.8	--	LOWER	NONE				
020	5	R/A	2.8	--	LOWER	NONE				
020LF	5	R/A	2.8	--	LOWER	NONE				
020MLF	5	R/A	2.8	--	LOWER	NONE				
021MLF	5	R/A	2.8	--	LOWER	NONE				
040	2	R/A	2.5	--	LOWER	NONE				
040MLF	2	R/A	2.5	--	LOWER	NONE				
040LF	2	R/A	2.5	--	LOWER	NONE				
005	FDR 0	R/A	2.8	8.6	UPPER	NONE			NO.4	
005LF	FDR 0	R/A	2.8	8.6	UPPER	NONE				
045	FDR 2	R/A	2.5	10.3	UPPER	NONE				
045MLF	FDR 2	R/A	2.5	10.3	UPPER	NONE				
045LF	FDR 2	R/A	2.5	10.3	UPPER	NONE				
500	0	R/A	2.8	--	LOWER	NONE	NO.5	BOTTOM MOUNT 94898-5XXX		
500LF	0	R/A	2.8	--	LOWER	NONE				
500H	0	R/A	2.8	--	LOWER	YES				
500HLF	0	R/A	2.8	--	LOWER	YES				
501	0	SMT STAGGERED	--	--	LOWER	NONE				
501LF	0	SMT STAGGERED	--	--	LOWER	NONE				
501H	0	SMT STAGGERED	--	--	LOWER	YES				
501HLF	0	SMT STAGGERED	--	--	LOWER	YES				
502	0	SMT IN LINE	--	--	LOWER	NONE				
502J	0	SMT IN LINE	--	--	LOWER	NONE				
502LF	0	SMT IN LINE	--	--	LOWER	NONE				
502H	0	SMT IN LINE	--	--	LOWER	YES				
502HLF	0	SMT IN LINE	--	--	LOWER	YES				
510	4	R/A	2.8	--	LOWER	NONE	NO.6	NATURAL (WHITE) COLOR 		
510LF	4	R/A	2.8	--	LOWER	NONE				
520	5	R/A	2.8	--	LOWER	NONE				
520LF	5	R/A	2.8	--	LOWER	NONE				
530	2	R/A	1.48	--	LOWER	NONE				
530LF	2	R/A	1.48	--	LOWER	NONE				
540	2	R/A	2.5	--	LOWER	NONE				
540LF	2	R/A	2.5	--	LOWER	NONE				
505	FDR 0	R/A	2.8	8.6	UPPER	NONE			NO.7	
505LF	FDR 0	R/A	2.8	8.6	UPPER	NONE				
535	FDR 2	R/A	1.48	9.28	UPPER	NONE				
535LF	FDR 2	R/A	1.48	9.28	UPPER	NONE				
545	FDR 2	R/A	2.5	10.3	UPPER	NONE				
545LF	FDR 2	R/A	2.5	10.3	UPPER	NONE				



- OPTIONAL LEED FREE NONE : N □
LF : YES
- OPTIONAL HOLD DOWN NONE : N □
H : YES (SEE FIGURE OF -xxxH)
- LOW COST VERSION NONE : N □
M : YES (DETAIL AS COMPONENT)
- SOLDER TAIL 0 : R/A (FOR LOWER & SINGLE)
1 : SMT STAGGERED (FOR LOWER ONLY)
2 : SMT IN LINE (FOR LOWER ONLY)
5 : R/A (FOR UPPER ONLY)
- STAND OFF 0 : 0mm
1 : 4mm
2 : 5mm
3 : 2mm (SPECIAL TAIL LENGTH)
4 : 2mm
- MOUNTING STYLE 0 : TOP MOUNTING
5 : BOTTOM MOUNTING



94898-xxxH
(OPTIONAL HOLD DOWN)

NOTES
1. PRODUCT SPEC:110-263

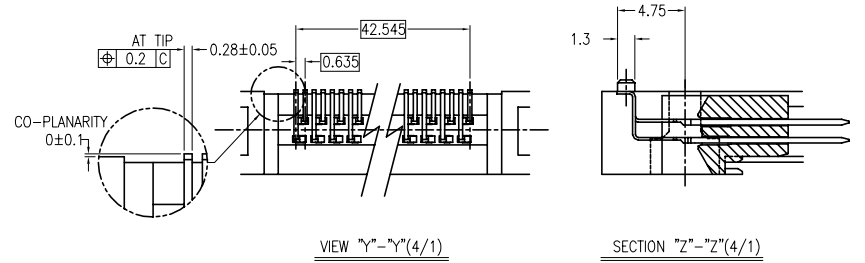
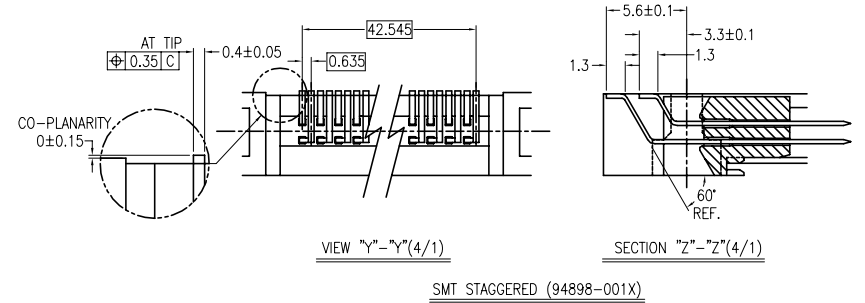
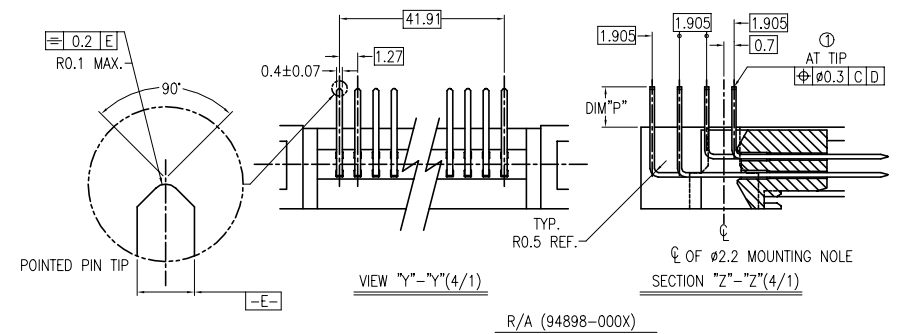
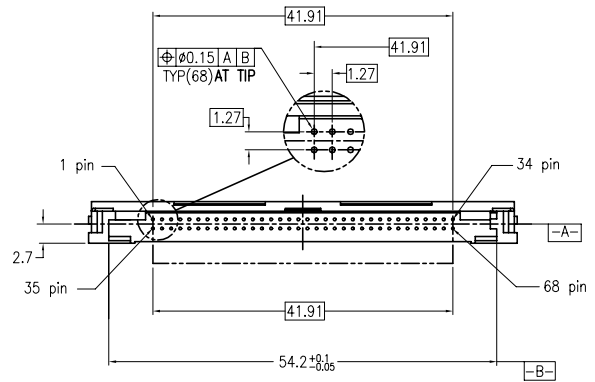
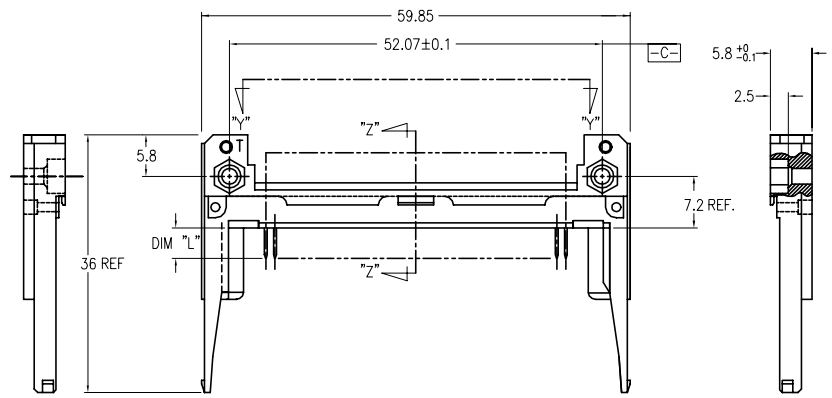
mat'l. code		surface ISO 1302		tolerance ISO 406 ISO 1101		projection MM		product family PCMCIA	
ltr ecn no dr date		tolerances unless other		wise specified		title		86 POS EJECTOR HEADER ASSY FOR LOW VOLTAGE	
J	N06-0065	M.Z	04/02/06	angles	linear	0.X±0.3	MM		
K	N07-0219	M.Z	12/07/07	±2'		0.XX±0.13			
L	N08-0041	M.Z	03/10/08			0.XXX±0.05	scale 1:1		
M	N08-0219	M.Z	10/10/08	dr	M.Hasegawa	2/24/05	dwg no 94898 sheet 1 of 7 size A4		
N	N09-0045	SH	05/25/09	engn	M.Hasegawa	2/24/05			
P	ELX-N-007954	ZK	11/01/11	chr					
R	ELX-N-011436	ZK	04/23/12	appd			type CUSTOMER Drawing		
sheet index	revision sheet	R	R	R	R	R	R		
		1	2	3	4	5	6		

FCI CONFIDENTIAL

FCI connect.com

This document is the property of and embodies CONFIDENTIAL and PROPRIETARY information of FCI. No part of this information shown on this document may be used in any way or disclosed to others without the written consent of FCI.
Copyright FCI.

PRODUCT NO.
94898-000
94898-000LF
94898-000H
94898-000HLF
94898-000MLF
94898-001
94898-001LF
94898-001H
94898-001HLF
94898-002
94898-002LF
94898-002H
94898-002HLF



NOTES

- TRUE POSITION IS A FREE GRID TO PIN PATTERN ITSELF.
- SEE TA-946 FOR PCB LAYOUT.
- MATERIAL**
HOUSING : HIGH TEMPERATURE THERMOPLASTIC UL94V-0 BLACK
PIN : COPPER ALLOY.
HOLD-DOWN : BRASS
- FINISH**
PIN
UNDER PLATING : 0.5µm MIN. Ni.
CONTACT AREA : 0.076 µm MIN. GOLD

SOLDER AREA : 2.5µm MIN. Sn-Pb.
OR 2.5µm MIN. PURE Sn.(FOR -XXXLF)
HOLD-DOWN : 2.5µm MIN. PURE Sn.
- RECOMMENDED PCB HOLE (OPTIONAL HOLD-DOWN) : 2.3±0.1
- SEQUENCE PIN ASSIGNMENT

PIN No.	DIM "L"		
	4.25±0.1	3.5±0.1	5.0±0.1
OTHERS	36.67	1.7734	35.5168
- GENERAL TOLERANCE : ±0.3
- SEE SHEET 1 REGARDING COMPONENTS.
- IF LEAD FREE P/N, THE HOUSING WILL WITHSTAND EXPOSURE TO 260° C PEAK TEMPERATURE FOR 10 SECONDS IN A WAVE SOLDER APPLICATION WITH A 1.00MM MINIMUM THICK CIRCUIT BOARD.
- LEAD FREE PRODUCT MEETS EUROPEAN UNION DIRECTIVES AND OTHER COUNTRY REGULATIONS AS DISCRIBLED IN GS-22-008
- IF LEAD FREE P/N, PACKAGE MEETS GS-14-920 SPECIFICATION

mat'l. code		surface ISD 1302		tolerance ISD 406 ISD 1101		projection		product family PCMCIA	
l	tr	ec	n	o	d	r	date	tolerances unless otherwise specified	
R				angles	linear	±2'	dr	title 68 POS EJECTOR HEADER ASSY FOR LOW VOLTAGE	
							eng	MM	
							chr	scale 1:1	
							app	dwg no 94898 sheet 2 of 7 size A4	
								type CUSTOMER Drawing	
sheet index	revision sheet								

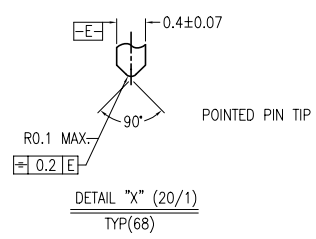
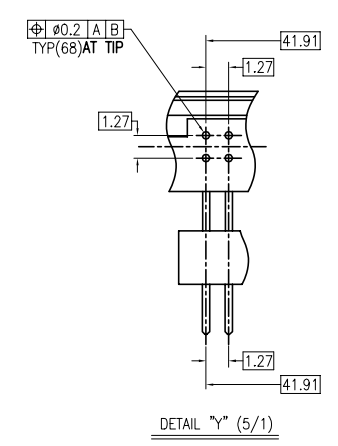
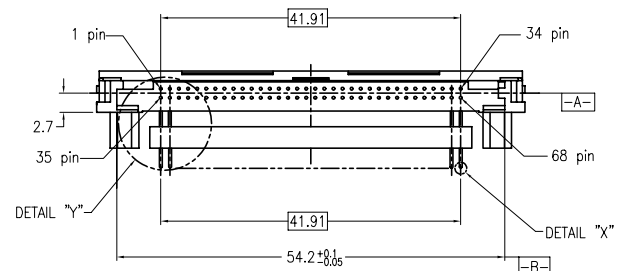
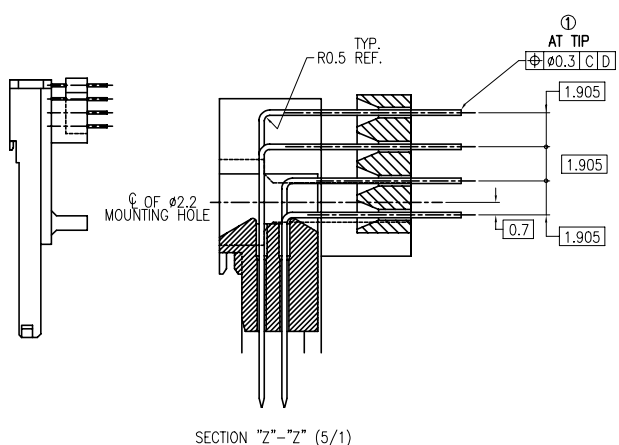
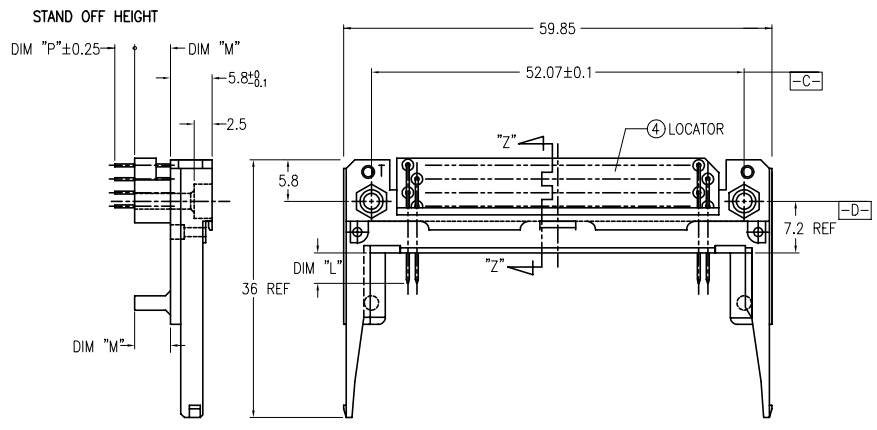
FCI CONFIDENTIAL

FCI

This document is the property of and embodies CONFIDENTIAL and PROPRIETARY information of FCI. No part of this information shown on this document may be used in any way or disclosed to others without the written consent of FCI.

Copyright FCI

PRODUCT NO.
94898-010
94898-010LF
94898-020/020M
94898-020LF/020MLF
94898-021MLF
94898-040
94898-040LF/040MLF



1. TRUE POSITION IS A FREE GRID TO PIN PATTERN ITSELF.
2. SEE TA-946 FOR PCB LAYOUT.
3. MATERIAL
HOUSING : HIGH TEMPERATURE THERMOPLASTIC UL94V-0 BLACK
PIN : COPPER ALLOY.
HOLD-DOWN : BRASS
4. FINISH
PIN
UNDER PLATING : 0.5um MIN. Ni.
CONTACT AREA : 0.076 um MIN. GOLD

SOLDER AREA : 2.5um MIN. Sn-Pb.
OR 2.5um MIN. PURE Sn.(FOR -XXXLF)
HOLD-DOWN : 2.5um MIN. PURE Sn.
5. RECOMMENDED PCB HOLE (OPTIONAL HOLD-DOWN) : 2.3±0.1
6. SEQUENCE PIN ASSIGNMENT

PIN No.	DIM "L"		
	4.25±0.1	3.5±0.1	5.0±0.1
OTHERS	36.67	1.17	35.51

7. GENERAL TOLERANCE : ±0.3
8. SEE SHEET 1 REGARDING COMPONENTS.
9. IF LEAD FREE P/N, THE HOUSING WILL WITHSTAND EXPOSURE TO 260° C PEAK TEMPERATURE FOR 10 SECONDS IN A WAVE SOLDER APPLICATION WITH A 1.00MM MINIMUM THICK CIRCUIT BOARD.
10. LEAD FREE PRODUCT MEETS EUROPEAN UNION DIRECTIVES AND OTHER COUNTRY REGULATIONS AS DISCRIBLED IN GS-22-008
11. IF LEAD FREE P/N, PACKAGE MEETS GS-14-920 SPECIFICATION
12. "M" SHOWS IT IS LOW COST VERSION, IT IS OPTIONAL AND IN FIRST OF LETTER OF PART NO., SUCH AS 94898-020MLF IS LOW COST VERSION 94898-020LF IS NOT LOW COST VERSION.

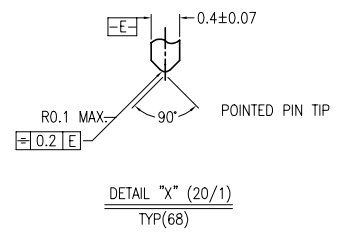
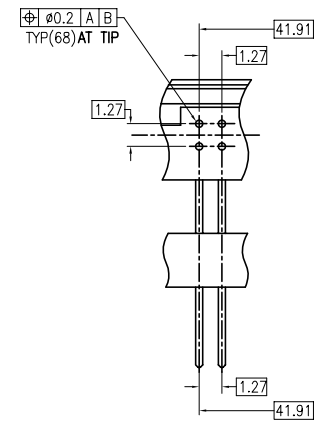
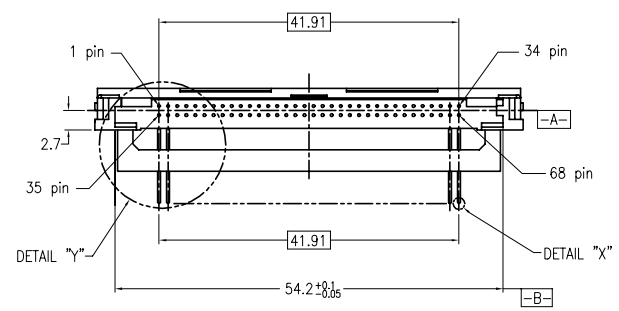
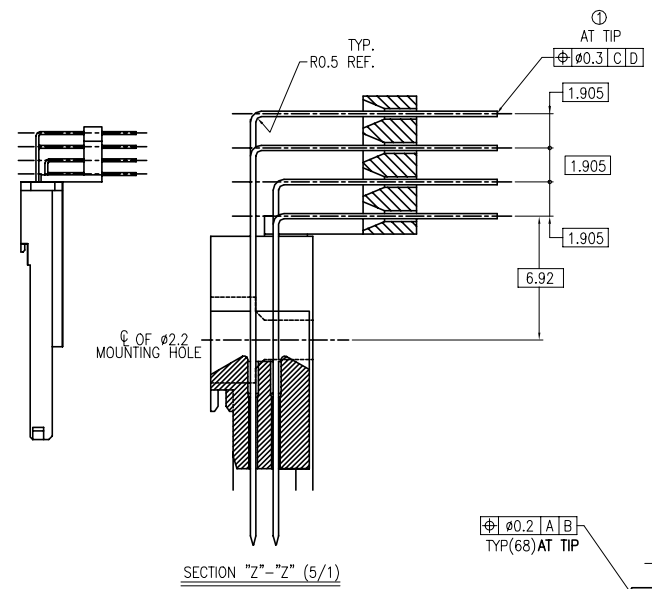
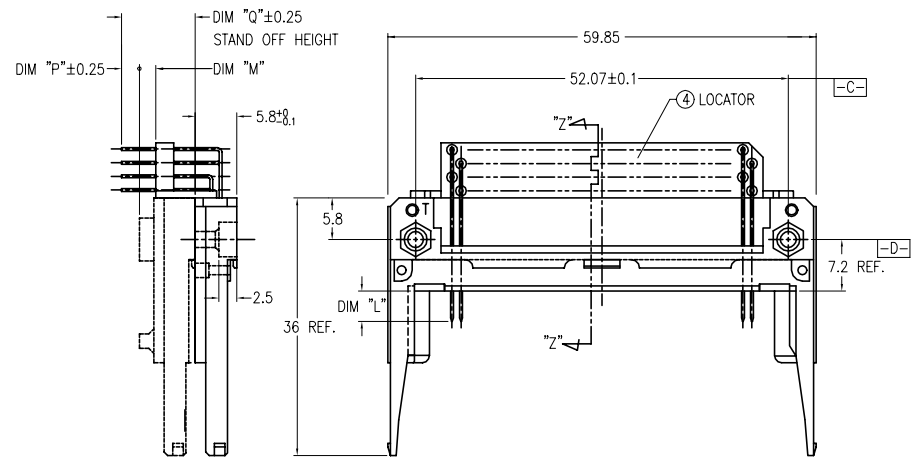
mat'l. code		surface ISD 1302		tolerance ISD 406 ISD 1101		projection		product family PCMCIA	
ltr ecn no dr date		tolerances unless otherwise specified		title		MM		68 POS EJECTOR HEADER ASSY FOR LOW VOLTAGE	
R		angles		0.X±0.3		scale 1:1		dwg no 94898 sheet 3 of 7 size A4	
		±2'		0.XX±0.13		FCI		type CUSTOMER Drawing	
		dr M.Hasegawa 2/24/05		0.XXX±0.05					
		engr M.Hasegawa 2/24/05							
		chr							
		appd							
sheet index		revision sheet							

FCI CONFIDENTIAL



This document is the property of and embodies CONFIDENTIAL and PROPRIETARY information of FCI. No part of this information shown on this document may be used in any way or disclosed to others without the written consent of FCI. Copyright FCI.

PRODUCT NO.
94898-005
94898-005LF
94898-045
94898-045LF



NOTES

- TRUE POSITION IS A FREE GRID TO PIN PATTERN ITSELF.
- SEE TA-946 FOR PCB LAYOUT.
- MATERIAL**
 HOUSING : HIGH TEMPERATURE THERMOPLASTIC UL94V-0 BLACK
 PIN : COPPER ALLOY.
 HOLD-DOWN : BRASS
- FINISH**
 PIN
 UNDER PLATING : 0.5µm MIN. Ni.
 CONTACT AREA : 0.076 µm MIN. GOLD

 SOLDER AREA : 2.5µm MIN. Sn-Pb.
 OR 2.5µm MIN. PURE Sn.(FOR -XXXLF)
 HOLD-DOWN : 2.5µm MIN. PURE Sn.
- RECOMMENDED PCB HOLE (OPTIONAL HOLD-DOWN) : 2.3±0.1
- SEQUENCE PIN ASSIGNMENT

PIN No.	DIM "L"		
	4.25±0.1	3.5±0.1	5.0±0.1
OTHERS	36.67	1.7734	35.5188

- GENERAL TOLERANCE : ±0.3
- SEE SHEET 1 REGARDING COMPONENTS.
- IF LEAD FREE P/N, THE HOUSING WILL WITHSTAND EXPOSURE TO 260° C PEAK TEMPERATURE FOR 10 SECONDS IN A WAVE SOLDER APPLICATION WITH A 1.00MM MINIMUM THICK CIRCUIT BOARD.
- LEAD FREE PRODUCT MEETS EUROPEAN UNION DIRECTIVES AND OTHER COUNTRY REGULATIONS AS DISCRIBLED IN GS-22-008
- IF LEAD FREE P/N, PACKAGE MEETS GS-14-920 SPECIFICATION

mat'l. code		surface ISO 1302		tolerance ISO 406 ISO 1101		projection MM		product family PCMCIA	
ltr ecn no dr date		tolerances unless other wise specified		title		scale 1:1		68 POS EJECTOR HEADER ASSY FOR LOW VOLTAGE	
R		angles		linear		MM		dwg no 94898 sheet 4 of 7 size A4	
		±2'		0.X±0.3 0.XX±0.13 0.XXX±0.05		FCI		type CUSTOMER Drawing	
		dr M.Hasegawa 2/24/05		chr M.Hasegawa 2/24/05					
sheet index		revision sheet							

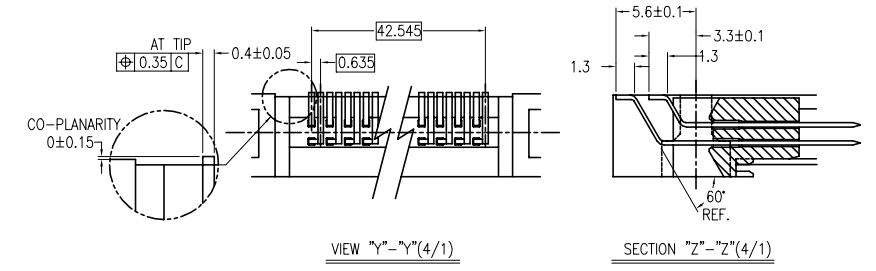
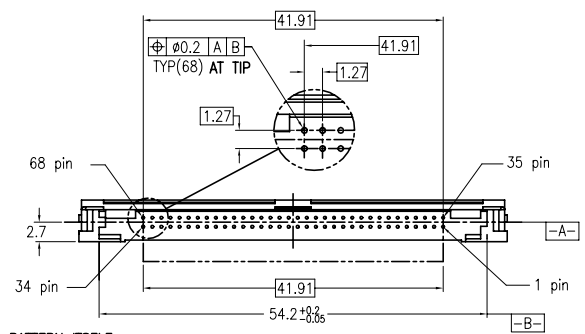
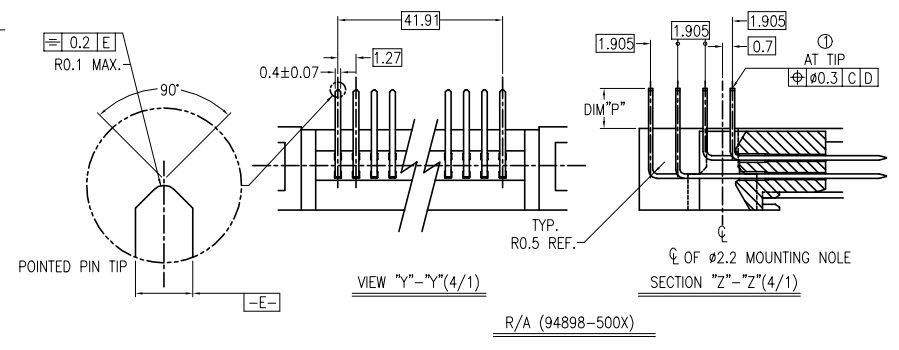
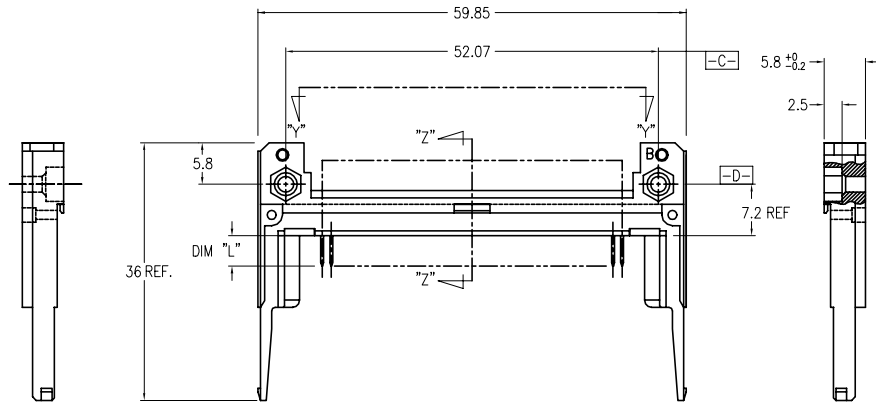
FCI CONFIDENTIAL

FCI

This document is the property of and embodies CONFIDENTIAL and PROPRIETARY information of FCI. No part of this information shown on this document may be used in any way or disclosed to others without the written consent of FCI. Copyright FCI.

PRODUCT NO.
94898-500
94898-500LF
94898-500H
94898-500HLF
94898-501
94898-501LF
94898-501H
94898-501HLF
94898-502
94898-502J
94898-502LF
94898-502H
94898-502HLF

-SEE NOTE 12



NOTES

- TRUE POSITION IS A FREE GRID TO PIN PATTERN ITSELF.
- SEE TA-946 FOR PCB LAYOUT.
- MATERIAL**
HOUSING : HIGH TEMPERATURE THERMOPLASTIC UL94V-0 BLACK
PIN : COPPER ALLOY.
HOLD-DOWN : BRASS
- FINISH PIN**
UNDER PLATING : 0.5µm MIN. Ni.
CONTACT AREA : 0.076 µm MIN. GOLD
SOLDER AREA : 2.5µm MIN. Sn-Pb.
OR 2.5µm MIN. PURE Sn.(FOR -XXXLF)
HOLD-DOWN : 2.5µm MIN. PURE Sn.
- RECOMMENDED PCB HOLE (OPTIONAL HOLD-DOWN) : 2.3±0.1
- SEQUENCE PIN ASSIGNMENT

PIN No.	DIM "L"	
	OTHERS	11734
4.25±0.1	3.5±0.1	5.0±0.1
	36.67	35.51.68

- GENERAL TOLERANCE : ±0.3
- SEE SHEET 1 REGARDING COMPONENTS.
- IF LEAD FREE P/N, THE HOUSING WILL WITHSTAND EXPOSURE TO 260° C PEAK TEMPERATURE FOR 10 SECONDS IN A WAVE SOLDER APPLICATION WITH A 1.00MM MINIMUM THICK CIRCUIT BOARD.
- LEAD FREE PRODUCT MEETS EUROPEAN UNION DIRECTIVES AND OTHER COUNTRY REGULATIONS AS DISCRIBLED IN GS-22-008
- IF LEAD FREE P/N, PACKAGE MEETS GS-14-920 SPECIFICATION
- THE P/N 94898-502J HAS SPECIAL TRAY, IT IS 10084720-001.

mat'l. code		surface ISD 1302		tolerance ISD 406 ISD 1101		projection		product family PCMCIA	
ltr ecn no dr date		tolerances unless otherwise specified		title		MM		68 POS EJECTOR HEADER ASSY FOR LOW VOLTAGE	
R		angles linear		0.X±0.3		scale 1:1		dwg no 94898 sheet 5 of 7 size A4	
		±2'		0.XX±0.13		FCI		type CUSTOMER Drawing	
		dr M.Hasegawa 2/24/05		0.XXX±0.05					
		engr M.Hasegawa 2/24/05							
		chr							
		appd							
sheet index		revision sheet							

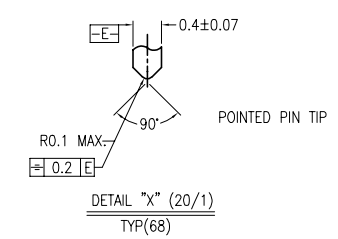
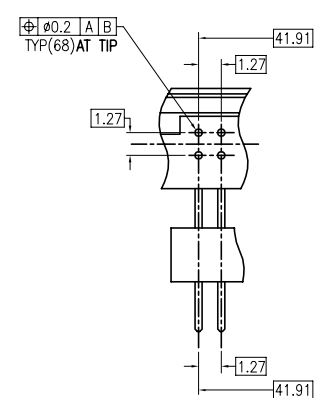
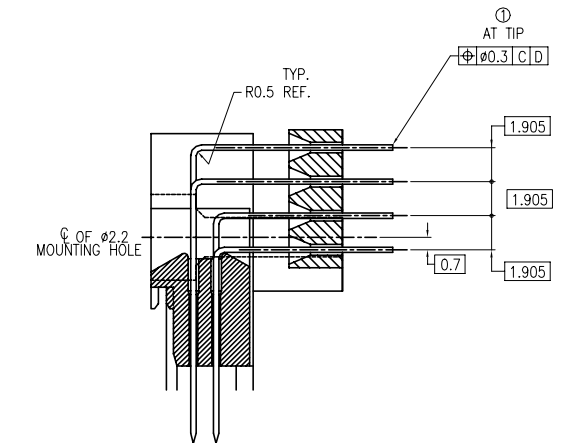
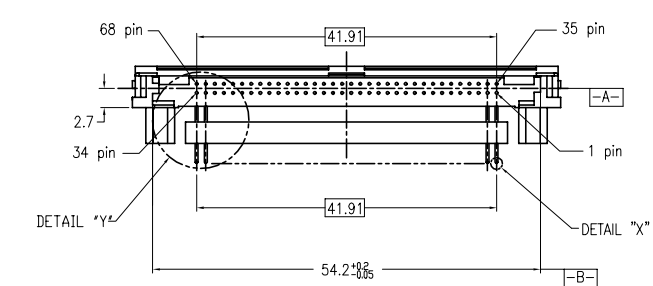
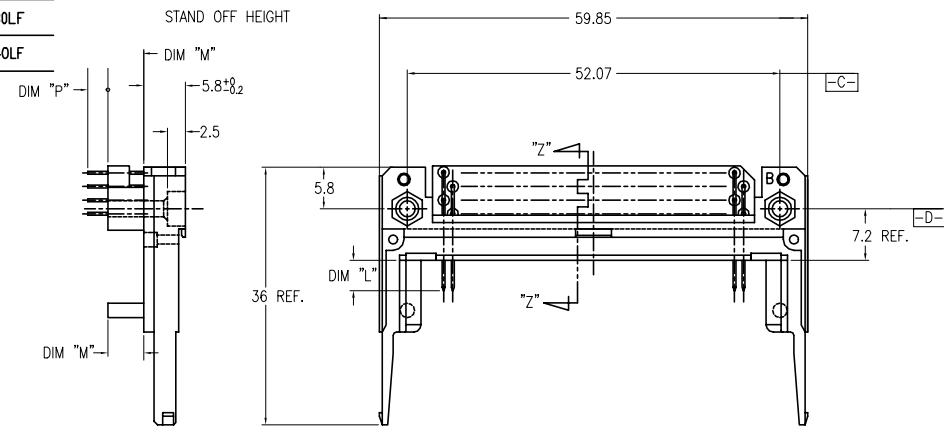
FCI CONFIDENTIAL



This document is the property of and embodies CONFIDENTIAL and PROPRIETARY information of FCI. No part of this information shown on this document may be used in any way or disclosed to others without the written consent of FCI.



PRODUCT NO.	
94898-510	94898-510LF
94898-520	94898-520LF
94898-530	94898-530LF
94898-540	94898-540LF



NOTES

- TRUE POSITION IS A FREE GRID TO PIN PATTERN ITSELF.
- SEE TA-946 FOR PCB LAYOUT.
- MATERIAL**
 HOUSING : HIGH TEMPERATURE THERMOPLASTIC UL94V-0 BLACK
 PIN : COPPER ALLOY.
 HOLD-DOWN : BRASS
- FINISH**
 UNDER PLATING : 0.5μm MIN. Ni.
 CONTACT AREA : 0.076 μm MIN. GOLD

 SOLDER AREA : 2.5μm MIN. Sn-Pb.
 OR 2.5μm MIN. PURE Sn.(FOR -XXLF)
 HOLD-DOWN : 2.5μm MIN. PURE Sn.
- RECOMMENDED PCB HOLE (OPTIONAL HOLD-DOWN) : 2.3±0.1
- SEQUENCE PIN ASSIGNMENT

PIN No.	DIM "L"	
	4.25±0.1	3.5±0.1
OTHERS	36.67	5.0±0.1
		1.1734
		35.5168

- GENERAL TOLERANCE : ±0.3
- SEE SHEET 1 REGARDING COMPONENTS.
- IF LEAD FREE P/N, THE HOUSING WILL WITHSTAND EXPOSURE TO 260° C PEAK TEMPERATURE FOR 10 SECONDS IN A WAVE SOLDER APPLICATION WITH A 1.00MM MINIMUM THICK CIRCUIT BOARD.
- LEAD FREE PRODUCT MEETS EUROPEAN UNION DIRECTIVES AND OTHER COUNTRY REGULATIONS AS DISCRIBLED IN GS-22-008
- IF LEAD FREE P/N, PACKAGE MEETS GS-14-920 SPECIFICATION

mat'l. code		surface ISD 1302		tolerance ISD 406 ISD 1101		projection		product family PCMCIA	
ltr ecn no dr date		tolerances unless otherwise specified		title		MM		68 POS EJECTOR HEADER ASSY FOR LOW VOLTAGE	
R		angles linear		0.X±0.3		scale 1:1		dwg no 94898 sheet 6 of 7 size A4	
		±2'		0.XXX±0.13		FCI		type CUSTOMER Drawing	
		dr M.Hasegawa 2/24/05		0.XXX±0.05					
		chr M.Hasegawa 2/24/05							
		appd							
sheet index		revision sheet							

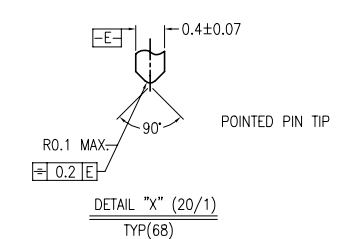
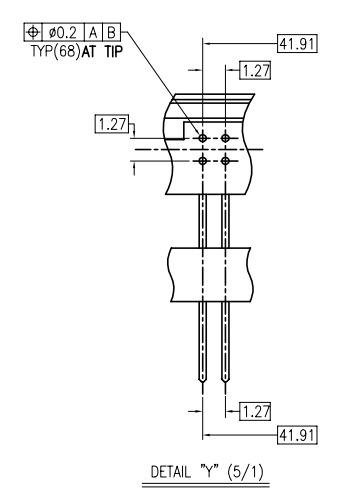
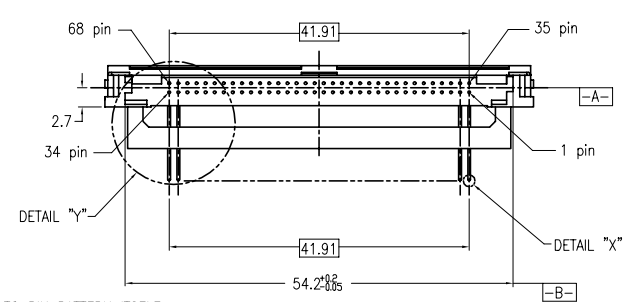
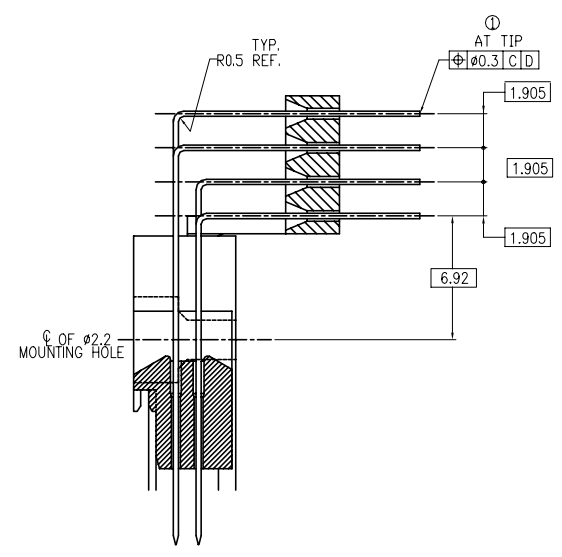
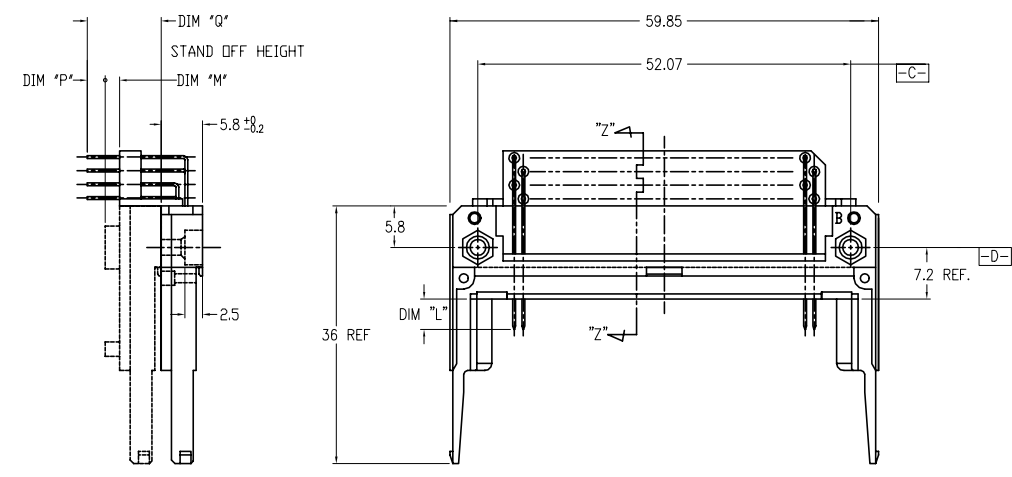
FCI CONFIDENTIAL



This document is the property of and embodies CONFIDENTIAL and PROPRIETARY information of FCI. No part of this information shown on this document may be used in any way or disclosed to others without the written consent of FCI.



PRODUCT NO.
94898-505
94898-505LF
94898-535
94898-535LF
94898-545
94898-545LF



- NOTES**
- TRUE POSITION IS A FREE GRID TO PIN PATTERN ITSELF.
 - SEE TA-946 FOR PCB LAYOUT.
 - MATERIAL**
 HOUSING : HIGH TEMPERATURE THERMOPLASTIC UL94V-0 BLACK
 PIN : COPPER ALLOY.
 HOLD-DOWN : BRASS
 - FINISH PIN**
 UNDER PLATING : 0.5µm MIN. Ni.
 CONTACT AREA : 0.076 µm MIN. GOLD
 SOLDER AREA : 2.5µm MIN. Sn-Pb.
 OR 2.5µm MIN. PURE Sn.(FOR -XXXLF)
 HOLD-DOWN : 2.5µm MIN. PURE Sn.
 - RECOMMENDED PCB HOLE (OPTIONAL HOLD-DOWN) : 2.3±0.1
 - SEQUENCE PIN ASSIGNMENT

PIN No.	DIM "L"		
	4.25±0.1	3.5±0.1	5.0±0.1
OTHERS	36.67	117.34	35.51.68

- GENERAL TOLERANCE : ±0.3
- SEE SHEET 1 REGARDING COMPONENTS.
- IF LEAD FREE P/N, THE HOUSING WILL WITHSTAND EXPOSURE TO 260° C PEAK TEMPERATURE FOR 10 SECONDS IN A WAVE SOLDER APPLICATION WITH A 1.00MM MINIMUM THICK CIRCUIT BOARD.
- LEAD FREE PRODUCT MEETS EUROPEAN UNION DIRECTIVES AND OTHER COUNTRY REGULATIONS AS DISCRIBLED IN GS-22-008
- IF LEAD FREE P/N, PACKAGE MEETS GS-14-920 SPECIFICATION

mat'l. code	surface ISD 1302	tolerance ISD 406 ISD 1101	projection	product family PCMCIA
tr ecn no dr date	tolerances unless otherwise specified			title
R	angles	linear	MM	68 POS EJECTOR HEADER ASSY FOR LOW VOLTAGE
	±2'	0.X±0.3 0.XX±0.13 0.XXX±0.05	scale 1:1	
	dr M.Hasegawa 2/24/05	engr M.Hasegawa 2/24/05	dwg no 94898 sheet 7 of 7 size A4	
	appd		type CUSTOMER Drawing	
sheet index	revision sheet			